

Without external power, ready to check the pressure  
Battery type digital pressure sensor

# MPS-60



## Feature

- Battery type, life around 1 year (Operation 5 times/day)
- Easy to see with digital display
- Back light in standard
- Power saving mode
- Ingress protection (range) IP65, dust-proof and water-proof

## How to order

MPS — **P** 60DL — R1 — J

① Pressure range

V	Vacuum pressure
P	Positive pressure

## Specifications

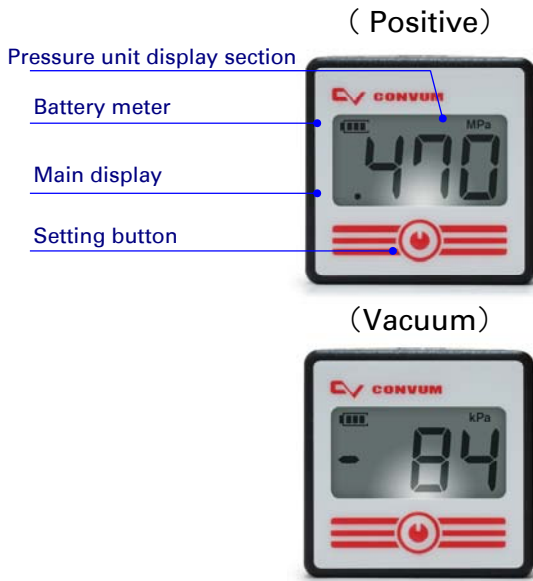
Type		MPS-V60DL-R1-J (Vacuum pressure)	MPS-P60DL-R1-J (Positive pressure)
Pressure range		0 ~ -101kPa	0.000 ~ 1.000MPa
Setting pressure range		10 ~ -101kPa	-0.100 ~ 1.000MPa ※1
Resisting pressure		300kPa	1.5MPa
Application Air (non corrosive, nonflammable gas)			
Setting pressure resolution	kPa	1	—
	MPa	—	0.001
Battery		CR2032 Button type lithium battery ※2	
Display	Time	60 seconds after pressing SET button	
	Back light	Have	
	Battery life	About 1year(Operate 5 times one day)	
	Low battery indicator	Have	
Sampling frequency		2Hz(2times/Second)	
Pressure unit		kPa	MPa
Indicator accuracy		±1% F.S.±1digit	±0.2% F.S.±1digit
LCD display		3 1/2digits	
Representational accuracy		±2% F.S.±1digit(Temperature: 25±3°C)	
Environmental Standard	Ingress protection range	IP65 ※3	
	Ambient temp. range	Operating:0~50°C, Non operating:-10°C~60°C(no condensation and freezing)	
	Ambient humidity range	Operating and non operating :35~85% RH(no condensation )	
	Vibration resistance	10Hz~55Hz, total amplitude1.5mm, 3times in direction of X,Y,Z	
	Shock resistance	100m/s <sup>2</sup> (About10G) 3 times in direction of X,Y,Z	
Temperature characteristic		±2.0% F.S.(At standard temperature25°C, Range0~50°C)	
Port size		R1/8,M5	
Mass		Approx 40g	

※1 When pressure is-0.1MPa, **-100** will be shown on LCD.

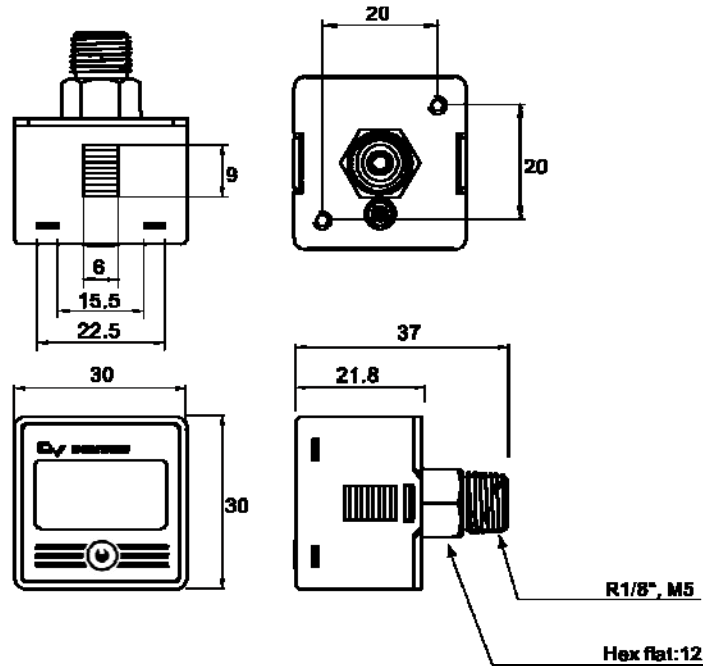
※2 Battery is inside, and can be changed by customer. How to change it, please refer to operation manual.

※3 When IP65 range is required, please use piping in IP65 range too.

## Display description



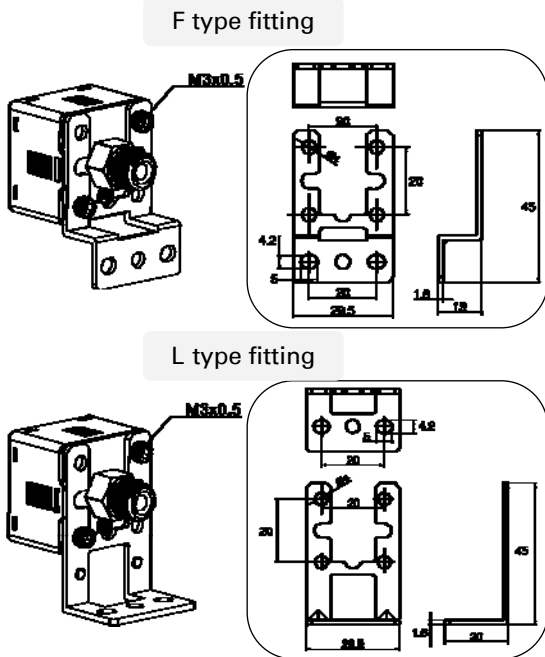
## Dimensions (mm)



## Option parts

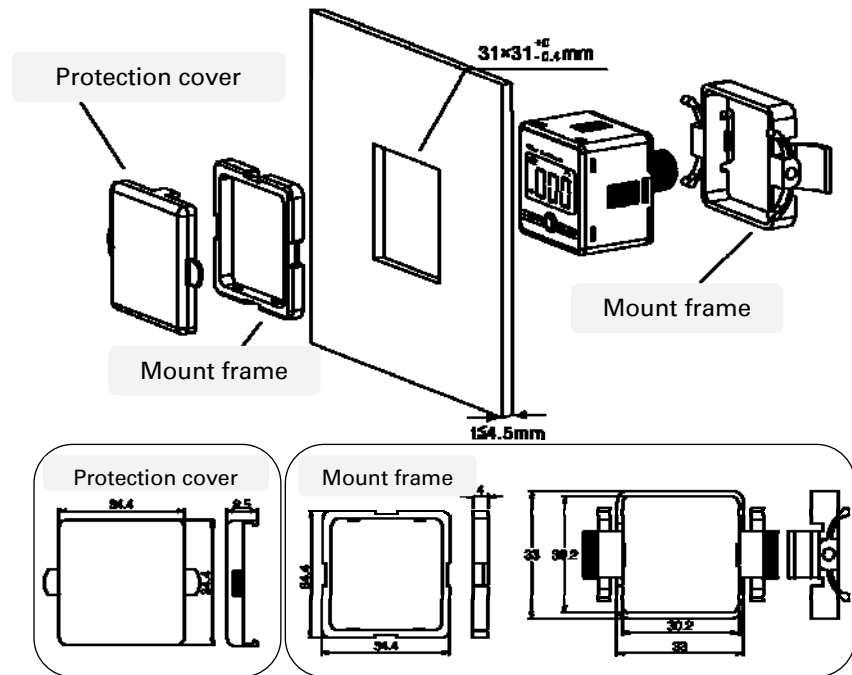
### Mounting bracket set MPS-ACCK12

F type fitting , L type fitting and 2 setting screw(M3).



### Front mounting panel MPS-ACCH9

Mount frame(2 pieces) with protection cover.



Unit :mm

### Head office

2-6-18 Shimomaruko, Ohta-ku, Tokyo 146-0092, Japan  
TEL 81-3-3759-1491 FAX 81-3-5741-7020

### Overseas Dept.

Esashi core industrial park, 10-5 Mastunagane, Iwayadou, Esashi-ku, Oshu, Iwate, 81-23-1101, Japan  
TEL 81-197-35-8370 FAX 81-197-35-8371

### MYOTOKU CONVUM CHINA CO., LTD.

4/FC, 16#Building, 129FuTeNorthRoad, Waigaoqiao F.T.Z., Shanghai 200131, China  
TEL 86-21-52712075 FAX 86-21-52712073 Web: <http://www.convum.com.cn/>

### CONVUM KOREA Ltd.

1204,KCC WELLTZ GASAN-DONG, GEUMCHEON-GU, 470-8 SEOUL, KOREA  
TEL 82-2-6111-8007/8008/8009 FAX 82-2-6111-8006

### CONVUM(THAILAND) CO.,LTD.

No.1 MD Tower, 11F, Zone B, Soi Bangna-Trad 25, Bangna, Bangkok, 10260  
TEL 66-2-769-5851 FAX 66-2-769-5853

**Myotoku Ltd.**