

CVA-V

●OPERATION MANUAL FOR PISTON TYPE VACUUM SWITCH●

Read the instruction manual without fail before using the CVA-DN and keep the manual with care.

⚠ CAUTION

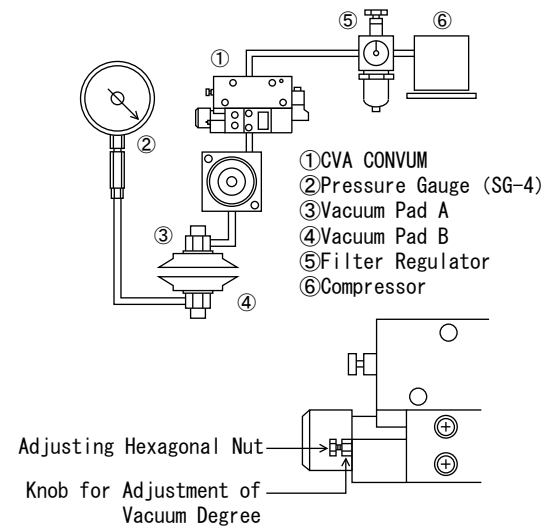
1. This is not of a waterproof/oilproof type. Never use this switch in a place exposed to water and oil.
2. Remarks on electric current and voltage
 - a) Be sure to confirm load current/voltage because there is great difference in opening-and-closing capability of a contact point between direct current and alternating current.
 - b) Use this switch permissible inrush current value due to the reason that there is great difference between regular current value and inrush current value.
3. As for technical specifications and external view, please refer to catalog.

■ Adjusting method for setting Vacuum Degree

● Adjusting method for setting Vacuum Degree

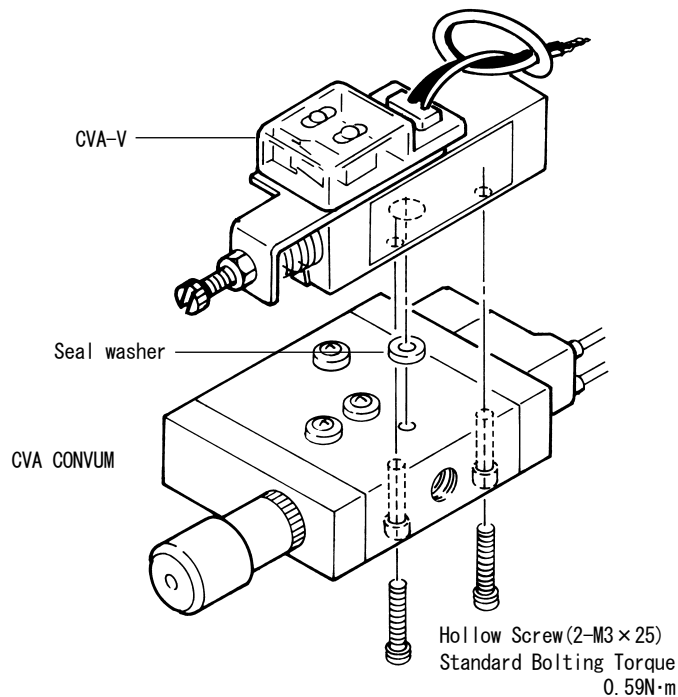
○ Since vacuum degree is already set at -46.6kPa , adjust other vacuum degree in accordance with following procedure. (Setting Range: -33.3 to -73.2kPa)

1. Connect Pad B same size as Pad A to vacuum gauge (SG-4) as shown in the diagram on the right side. Make sure that the gauge indicates zero.
2. Make CONVUM ready to generate vacuum through putting together Pad A and Pad B connected with the vacuum gauge. Then, adjust air supply pressure for CONVUM by the filter regulator and make the vacuum degree coincide with the indicator of vacuum gauge.
3. Loosen the fixing hexagonal nut of vacuum switch.
4. Connect the tester (ohm range, etc.) to the lead wires. (Adjust the tester to ohm range, etc. for electric conduction check.)
5. Turn the adjusting screw of vacuum switch counterclockwise until the limit. (When turning the adjusting screw counterclockwise, vacuum degree approaches to atmospheric pressure and when turning clockwise, it approaches to absolute pressure.)
6. Turn the adjusting screw of vacuum switch clockwise and slowly until the tester indicates electric conduction on the tester.
7. Tighten the fixing hexagonal nut of vacuum switch.
8. Setting is completed by above 7 procedures. Confirm the operation under vacuum degree newly set. To confirm setting, decrease the pressure of filter regulator and then gradually increase the pressure little by little and the vacuum degree which the tester indicates electric conduction is set-degree. If the vacuum degree exceeds the set-degree, follow again procedure above 2 to 7 since the tightening of the screw adjusting of above 7th procedure is wrongly done.
9. Return the air supply pressure to the suitable usage pressure for CONVUM after finishing all the setting procedures.



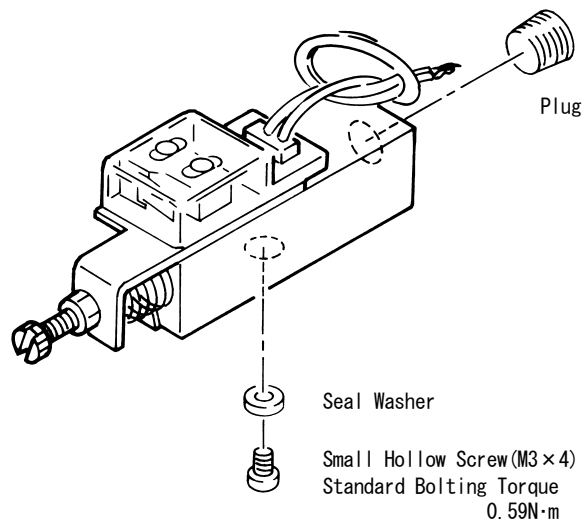
HOW TO MOUNT

HOW TO MOUNT CVA-V ONTO CVA CONVUM

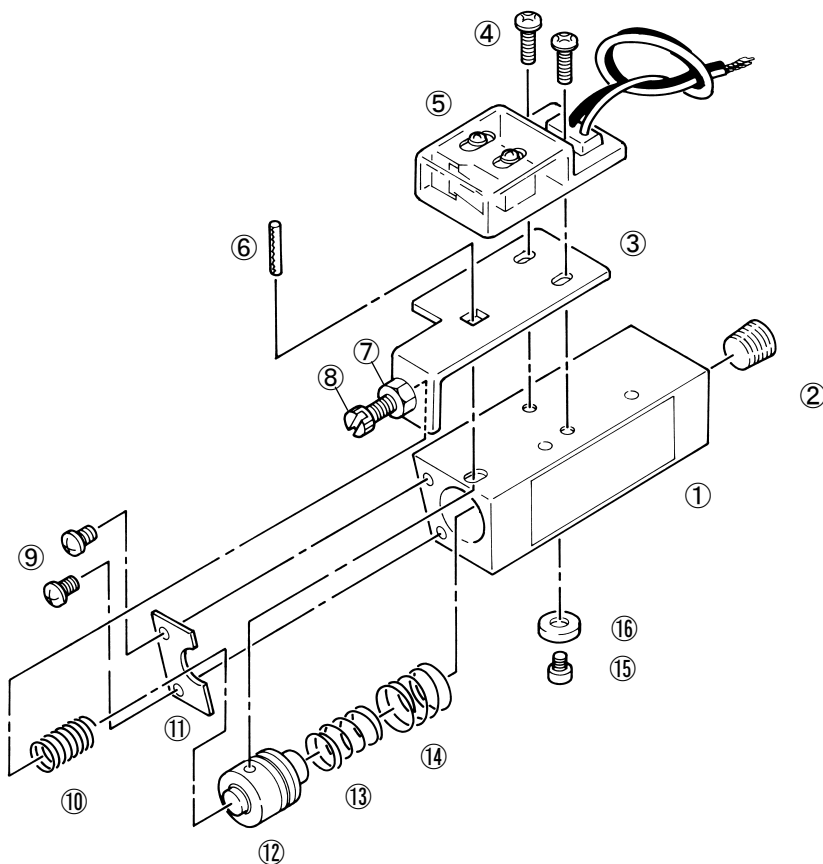


IN CASE OF USING CVA-V AS SINGLE UNIT

- Be sure to check whether seal washer is fixed with small hollow screw not cause air leakage.
- The plug shall be removed for piping.



EXTERNAL VIEW



●Description	
①	CVA-V Main Body
②	Plug
③	Trimming Plate
④	Hollow Screw (M3 x 10)
⑤	Switch Assembly
⑥	Spring Pin
⑦	Fixing Hexagonal Nut
⑧	Adjusting Screw of Vacuum Switch
⑨	Hollow Screw (M3 x 5)
⑩	Spring A
⑪	Stopper
⑫	Piston
⑬	Spring B
⑭	Spring C
⑮	Hollow Screw (M3 x 4)
⑯	Seal Washer

⚠ CAUTION

- * Be sure to cut power supply and air supply when disassembly or replacement of parts is made.
- * Disassembly and assembly must be carried out by a person having professional knowledge/skill.
- * On assembly and disassembly, glasses must be worn for body protection.

CONVUM
<http://www.convum.co.jp>