

High flow type vacuum ejector MC10 CONVUM

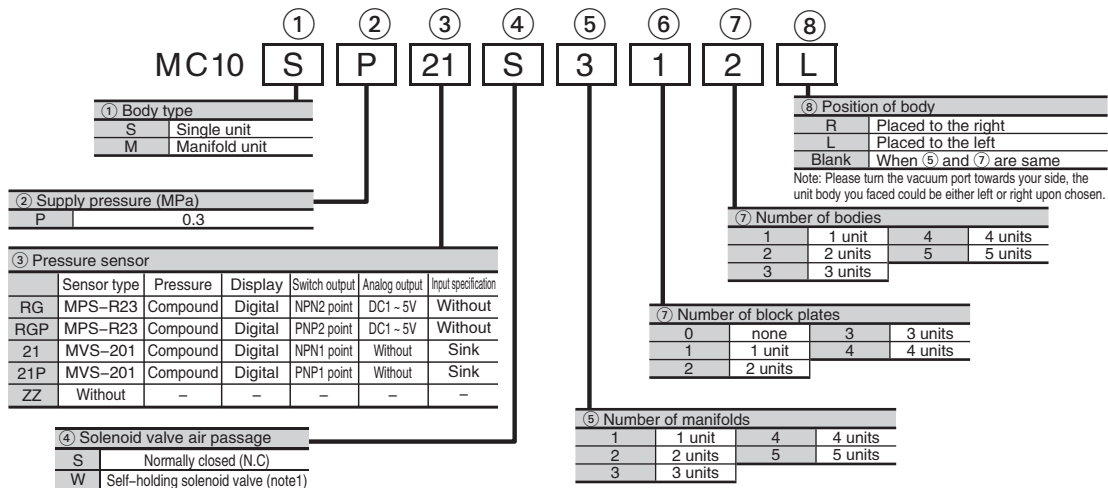


- High flow ejector that is comparable to vacuum pump
Large vacuum flow can be ensured with very low supply pressure
0.3MPa → 260 ℓ /min(ANR)
- Energy-saving · reduce the I/O point
Air consumption will be dramatically reduced with the use of the energy-saving sensor (MVS-201)
- Solenoid valve mounted
- Easy mounting with push-in connector

Application

- Suction and handling of big workpieces
- Loader machine, transfer between pressing machine, steel plate, corrugated cardboard

How to order



Note1) The energy-saving function of a sensor cannot work if the self-holding valve is selected.

Maintenance parts

- Solenoid valve (with gasket and mounting screws)

CKV010-4E

Note) Refer to P67 for details

- Self-holding solenoid valve (with gasket and mounting screws)

LV290-4E

Note) Please check P67 for details.

- Manifold base

MC10 - M **1**

Number of manifold units	
1	1 unit
2	2 units
3	3 units
4	4 units
5	5 units

- Pressure switch (with O-ring, setting screws)

MPS-R23-MC10
MPS-R23P-MC10
MVS-201-MC10-B (Normally closed)
MVS-201-MC10-W (Self-holding)
MVS-201P-MC10-B (Normally closed)
MVS-201P-MC10-W (Self-holding)

Note) Please check P349 for details.

Specifications

Description	Unit	MC10
Fluid		Non-lubricated air / non-corrosive gas
Ambient temperature	°C	0 ~ 55 (without freezing)
Operating pressure range	MPa	0.1 ~ 0.55
Blow-off flow	ℓ /min (ANR)	180 (at 0.3 Mpa)
Solenoid valve air passage		Normally closed (N.C), self-holding
Nominal pressure	MPa	0.3
Vacuum (air) flow	ℓ /min (ANR)	260
Max. vacuum pressure	kPa	-85
Air consumption	ℓ /min (ANR)	130

Solenoid valve specifications

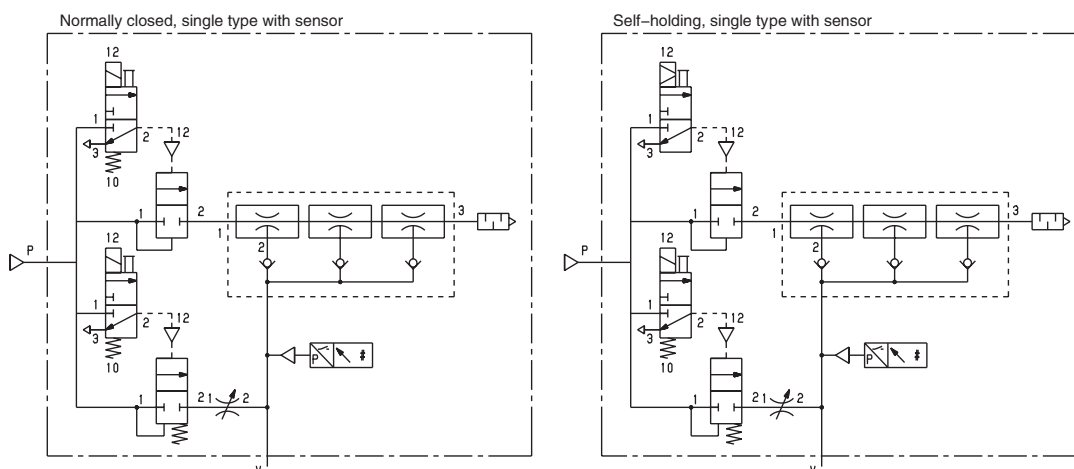
Description	Unit	CKV010-4E	LV290-4E Note
Solenoid valve air passage		Normally closed(N.C)	Self-holding
Operating voltage	V	DC24	
Allowable voltage tolerance	%	± 10	
Power consumption	W	1	1.3/1.5
Grade of insulation		B class	
Manual override operation		Non-lock push button	
Display - Surge killer		LED · diode	
Cable		Lead wire with connector (300mm)	

Note) Please check common cautions in regard to CONVUM vacuum ejector "self-holding valve"(P22).

Pressure sensor specifications

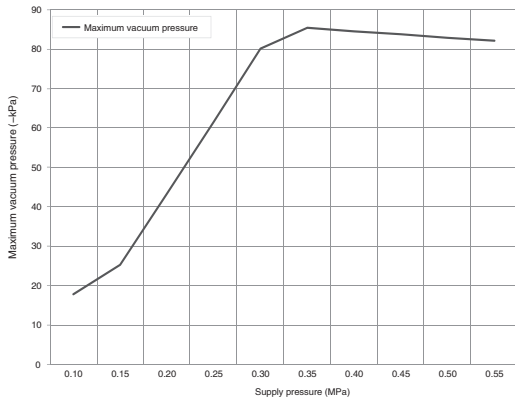
Description	Unit	MPS-R23	MVS-201
Fluid		Non-lubricated air/non-corrosive gas	
Diaphragm	kPa	Silicone diaphragm	
Operating ambient temperature	°C	0 ~ 50	
Pressure range	kPa	-101 ~ 500	
Switch output		Switch output	Switch output, input
Analog output	V	Voltage output DC1-5V	-
Digital display		3 1/2 digits 7 segments	
Operating voltage	V	DC12 ~ 24	DC10.8 ~ 30

Symbol

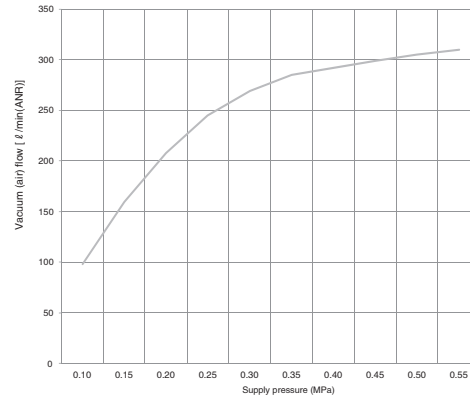


Performance charts

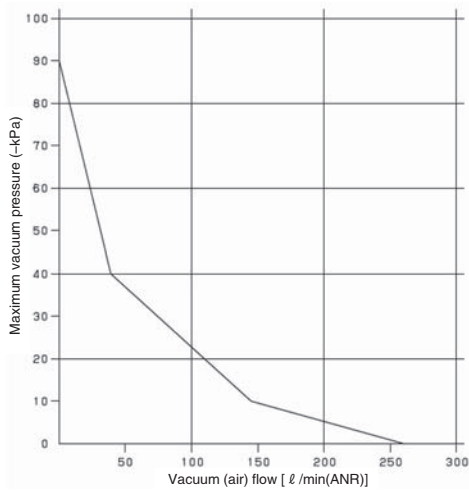
— Maximum vacuum pressure characteristics —



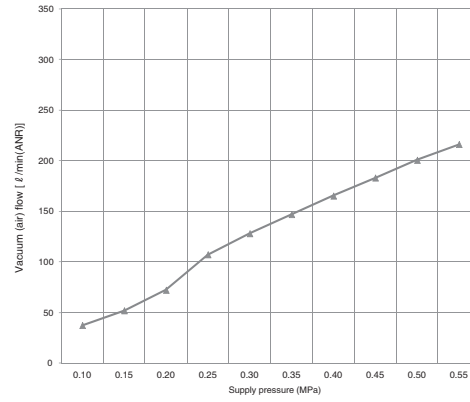
— Maximum vacuum (air) flow characteristics —



— Vacuum (air) flow-vacuum pressure characteristics —



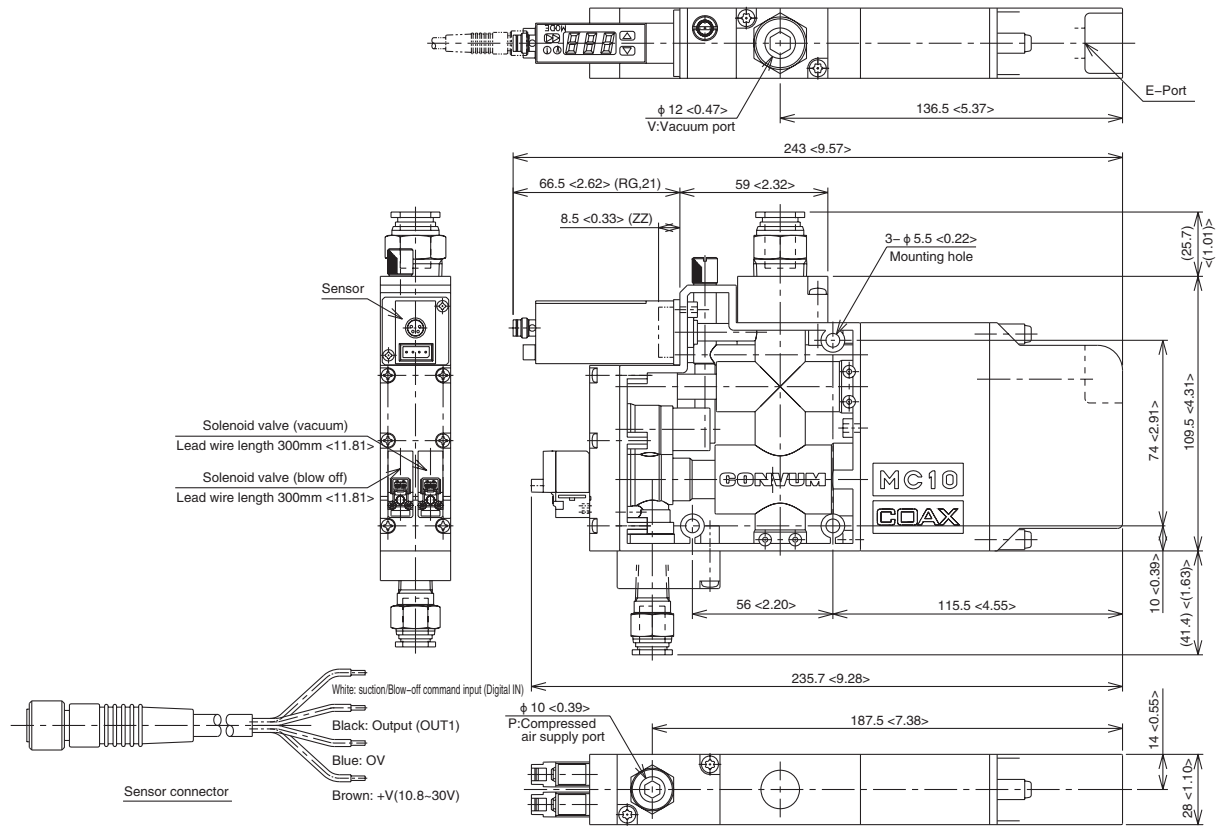
— Air consumption characteristics —



Dimensions

Unit : mm <inch>

Single unit type With sensor



Dimensions

Unit : mm <inch>

Manifold type With sensor

n (number of units)	1	2	3	4	5
A	47 <1.85>	75.5 <2.97>	104 <4.09>	132.5 <5.22>	161 <6.34>
B	65 <2.56>	93.5 <3.68>	122 <4.80>	150.5 <5.93>	179 <7.05>

