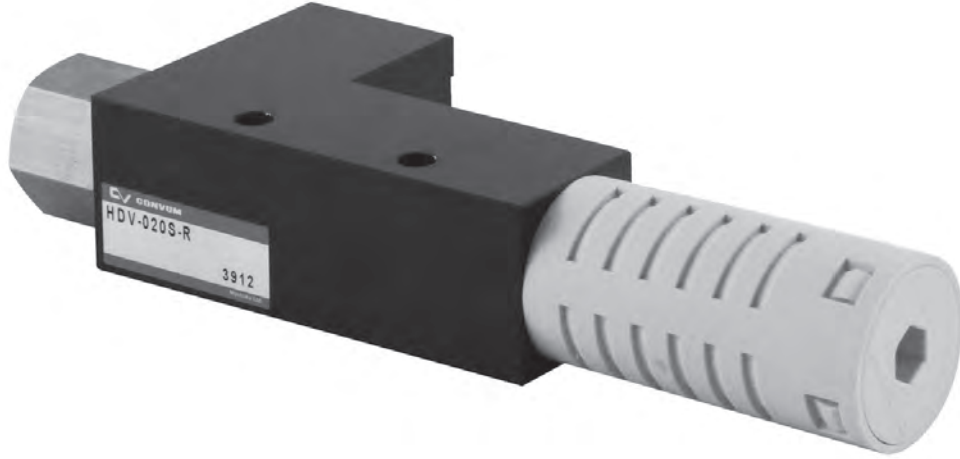


HDV Series

High Vacuum Level CONVUM



Vacuum level is higher than ordinary CONVUM

Vacuum level up to -98.6kPa!
Suitable to check the air leak,
strengthen the suction force.

CONVUM
High Vacuum Level
CONVUM

01
CONVUM

- SC1
- SC2
- SC3
- MC22
- MC72
- CCV
- MCV
- CV
- CVA2
- EC1
- MCA
- HDV**
- HFV
- CVZ

How to Order

HDV – 020S – R

Port screw

Symbol	Vacuum port	Supply port
R	Rp 1/8	Rp 1/4
N★	NPS 1/8-18	NPS 1/4
G★	G 1/8	G 1/4

★are made to order

Maintenance Parts

MSL – 02

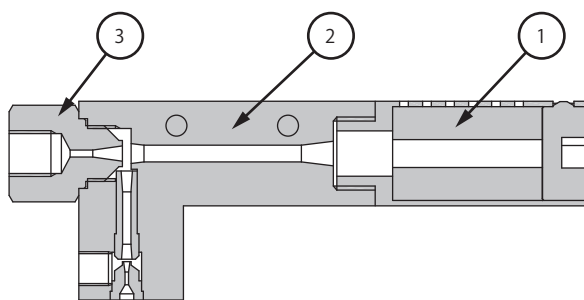
CONVUM Specifications

Description \ Model number	Unit	HDV-020S
Fluid		Non-lubricated compressed air
Ambient temperature	°C	0~60 (No Freezing)
Operating pressure range	MPa	0.2~0.6
Nozzle size	mm	2
Rated pressure	MPa	0.5
Suction flow	L/min (ANR)	35
Maximum vacuum pressure	kPa	-98.6 (it depends on the atmospheric pressure)
Air consumption	L/min (ANR)	180
Weight (with silencer)	g	346

Silencer Specifications

Description \ Model number	Unit	MSL-02
Fluid		Non-lubricated compressed air
Ambient temperature	°C	0~60 (No Freezing)
Operating pressure range	MPa	0 ~ 0.5
Port size		R1/2
Weight	g	25

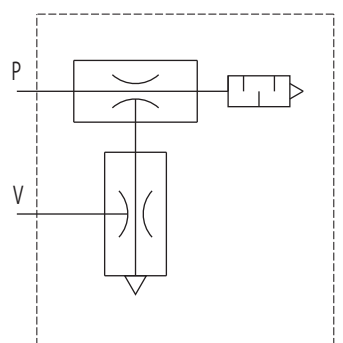
Construction



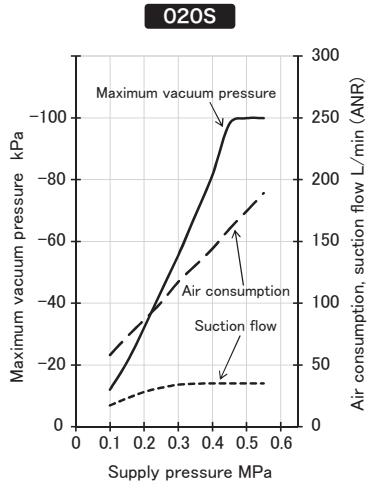
Component Parts

No.	Parts name	Material
1	Silencer	PE, PVA
2	Body	Aluminum
3	Nozzle	Brass (nickel plating)

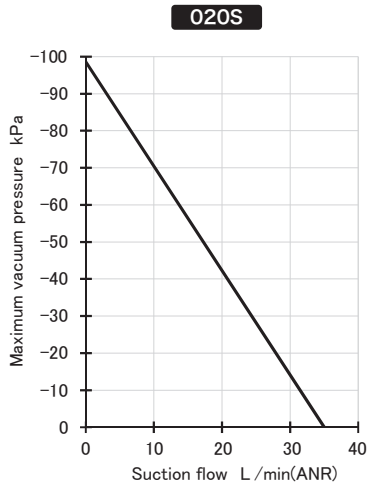
Symbol



Performance Charts

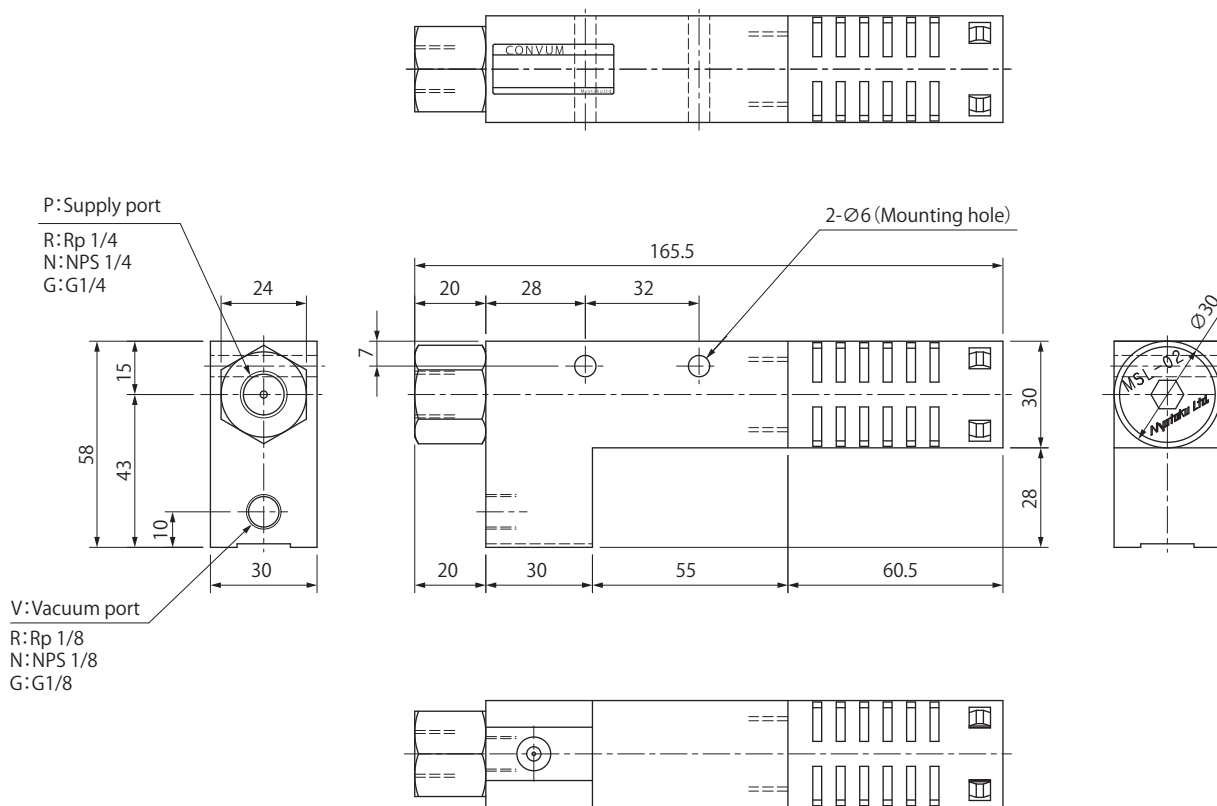


Suction Flow / Vacuum Pressure Characteristics



Dimensions

(mm)



CONVUM
High Vacuum Level
CONVUM

01
CONVUM

SC1

SC2

SC3

MC22

MC72

CCV

MCV

CV

CVA2

EC1

MCA

HDV

HFV

CVZ