

MPS-35 Series

Dual Display 3 Colors Digital Pressure Sensor



Easy checking with 3 colors display!

Flexible combination can select

Main display

Current values red-green

Sub display

Setting values orange

User can always check the setting values form sub-display

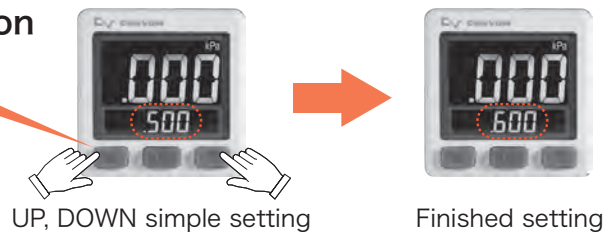


The display color pattern can selected

	SoG	SoR	Grn	rEd
ON	Green	Red	Green	Red
OFF	Red	Green	Green	Red

Easy to set by UP, DOWN button

Big button easy to operate



UP, DOWN simple setting

Finished setting

9% energy consumption can be reduced compared to previous model (MPS-34)

Previous model:MPS-34:45mA



New model:MPS-35:40mA

9% reduced

Pressure Sensor
Dual Display
3 Colors Digital Pressure Sensor

04 Pressure sensor

MPS-35

MPS-23

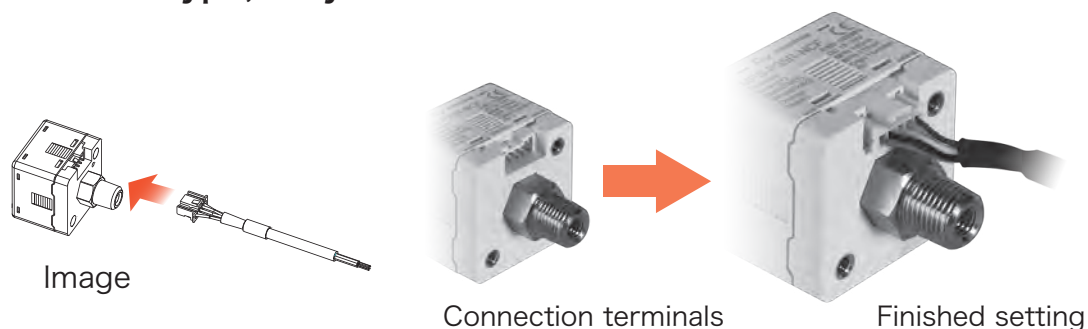
MPS-9

MPS-10

MVS-201

MVS-030AB

○ Connector type, easy to install



How to Order

MPS - V 35 R - N C A

① Pressure Range

Symbol	Type	Range
V	Vacuum	-101.3 ~ 0kPa
P	Positive	0 ~ 1MPa
C	Compound	-100 ~ 100kPa

③ Output Type(Switch output)

Symbol	Specifications
N	NPN open collector
P	PNP open collector

② Port Size

Symbol	Specifications
R	R 1/8

※Please consult with us for NPT 1/8,G1/8 (male).

① Cable
5PIN with connector (2m)

② Analog Output
1 ~ 5V Voltage output

04
Pressure sensor

MPS-35

MPS-23

MPS-9

MPS-10

MVS-201

MVS-030AB

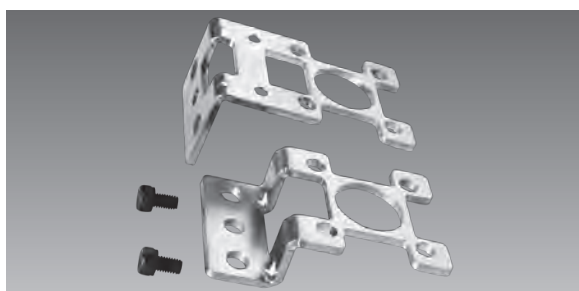
Option Parts

**Front Mounting Panel
MPS-ACCH9**



Mount frame (2 types) with protection cover.

**Bracket Fitting
MPS-ACCK11**



L type fitting, F type fitting, and 2 setting screws (M3).

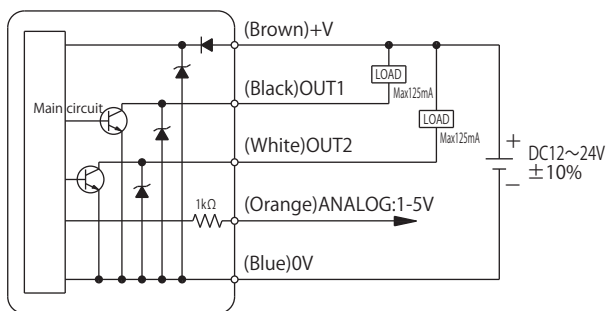
MPS-35 Dual Display 3 Colors Digital Pressure Sensor

Specifications

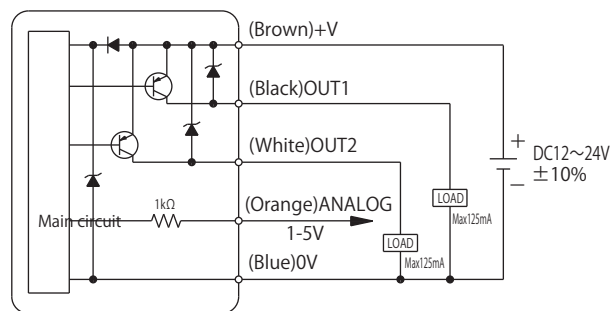
Description \ Model number		Unit	MPS-V35	MPS-P35	MPS-C35
Fluid			Air, non-corrosive gas, non-flammable gas		
Diaphragm			Silicon diaphragm		
Rated pressure range			-101.3 ~ 0kPa	0 ~ 1MPa	-100 ~ 100kPa
Setting pressure range			-101.3 ~ 10kPa	-0.1 ~ 1MPa	-101 ~ 101kPa
Withstand pressure		MPa	0.3	1.5	0.3
Ambient temperature range		°C	0 ~ 50 (No freezing)		
Ambient humidity range		%RH	35 ~ 85 (No condensation)		
Port size			R1/8 (with M5 female screw)		
Power supply voltage		V	DC12~24±10%, ripple (Vp-p)10% or less		
Maximum power consumption		mA	40 (No load)		
Switch output	Type		NPN or PNP open collector 2 outputs		
	Maximum load current	mA	125		
Analog output		V	DC1~5V(±2.5) linearity1% F.S. output impedance1kΩ		
Repeatability		%	±0.2 F.S. 1 digit or less		
Temperature characteristic		%	Less than±2.5F.S. (At standard temperature 25°C, range0~50°C)		
Response time		ms	2.5 or less		
Hysteresis			Variable		
Display	Digital		3 1/2-digits, 7-segment, 3 colors (red, green, orange)		
	Operation		Orange (1 & 2 indicator light) OUT1 OUT2		
Display/set resolution			0.1kPa	0.001MPa	0.1kPa
IP class			IP40		
Vibration resistance			10~55Hz, total amplitude 1.5mm, 50m/s ² 2 hours each direction of XYZ		
Shock resistance		m/s ²	100 3 times each direction of XYZ		
Electrical connection			Connector		
Cable			φ 4 0.15mm ² 5 lead wires 2m		
Weight	Without cable	g	34		
	With cable		80		

Internal Circuit

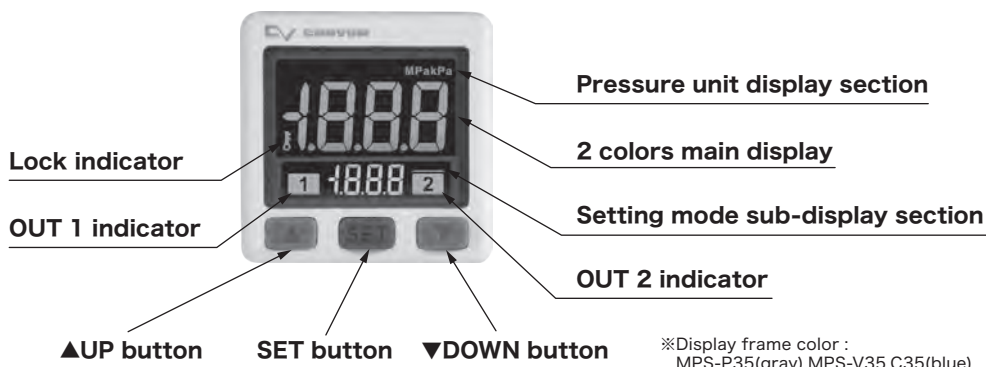
NPN Output (Analog voltage output)



PNP Output (Analog voltage output)

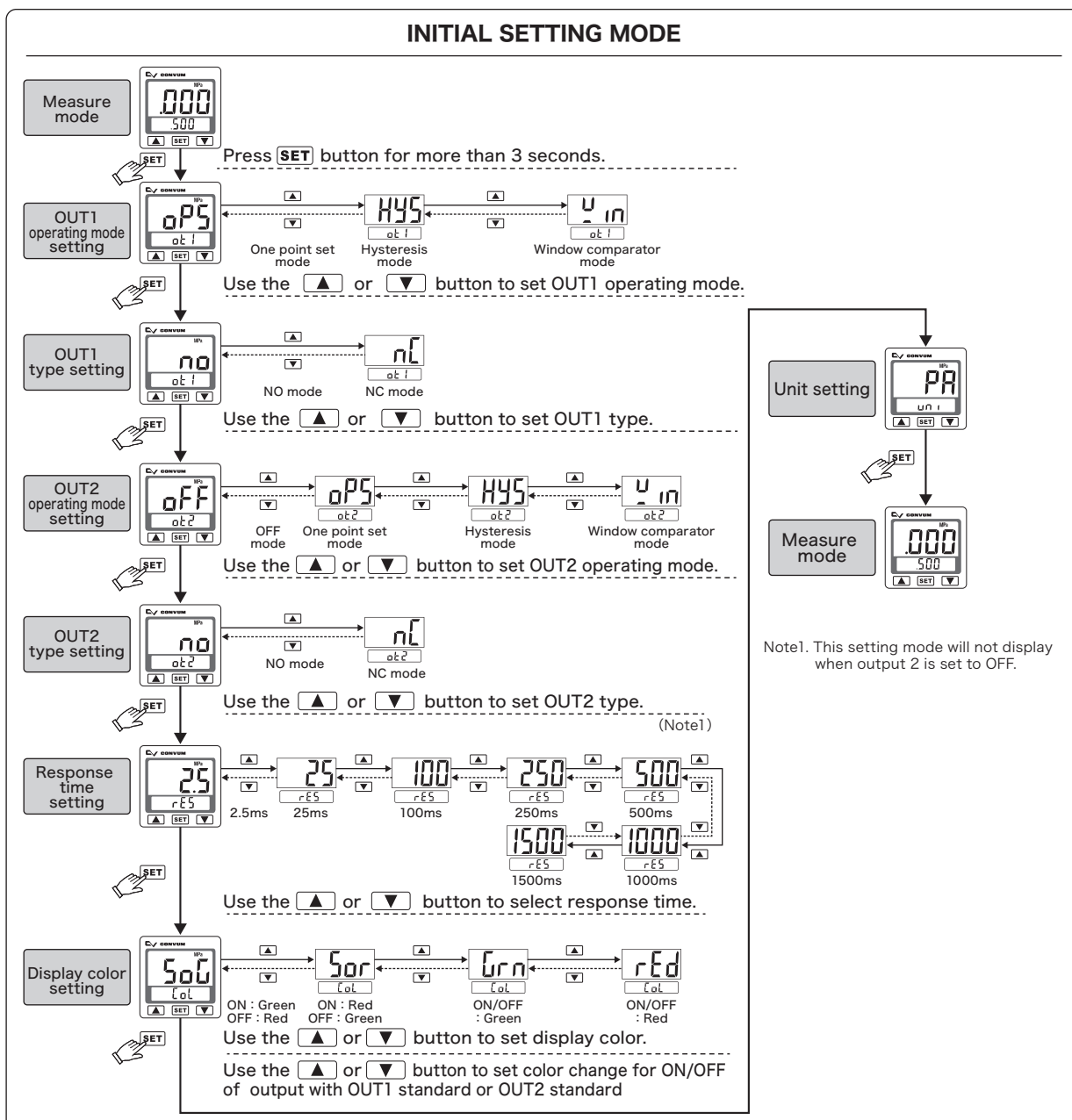


Display Description



Setting · Function

※ Please refer to the instruction manuals for details.



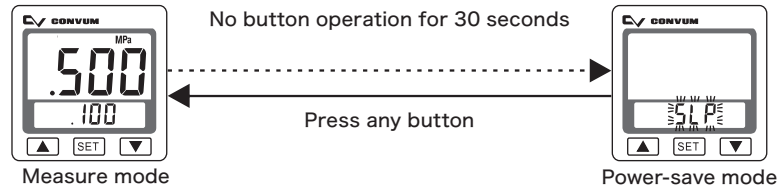
MPS-35 Dual Display 3 Colors Digital Pressure Sensor

Setting · Function

※ Please refer to the instruction manuals for details.

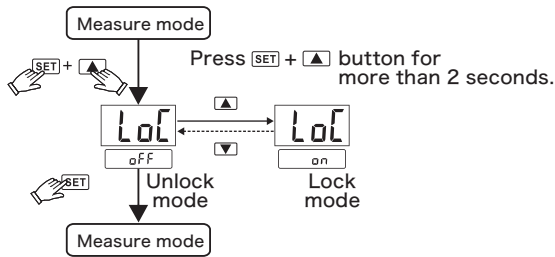
POWER-SAVE MODE

- During power-save mode, the main display will turned off if no buttons is pressed after 30 seconds.
- During power-save mode, the output LCD may not be synchronize with the output. It is normal and will not affect output operation.
- Press any button to turn-on main display temporarily.

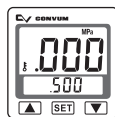


Main display is off, sub-display will flash "SLP"

KEY LOCK/UNLOCK MODE

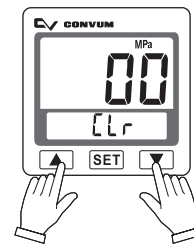


- Use key lock mode to prevent unauthorized or accidental tampering with the switch setting.
- When lock mode is selected, panel will display "⌘"



ZERO POINT SETTING

Press the **▲** + **▼** button at the same time until the "00" is shown. Release the button to end zero setting.

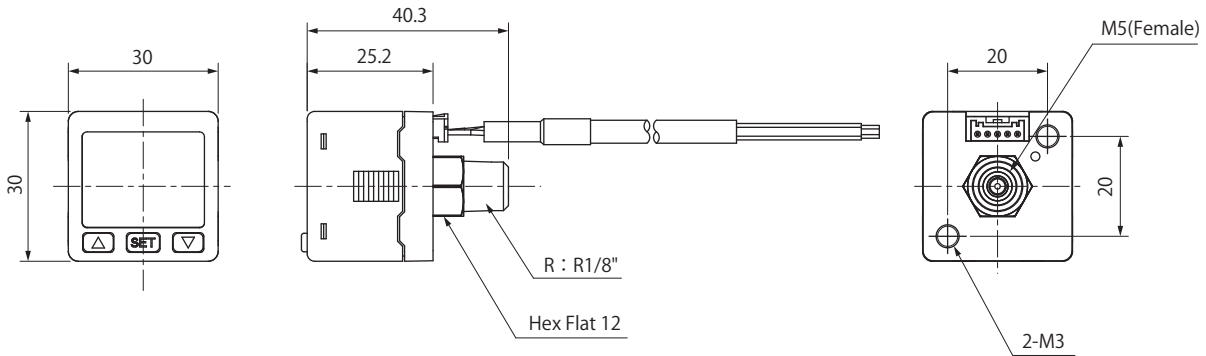
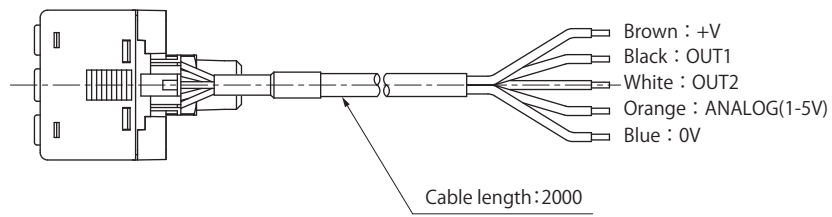


ERROR CODE INSTRUCTION

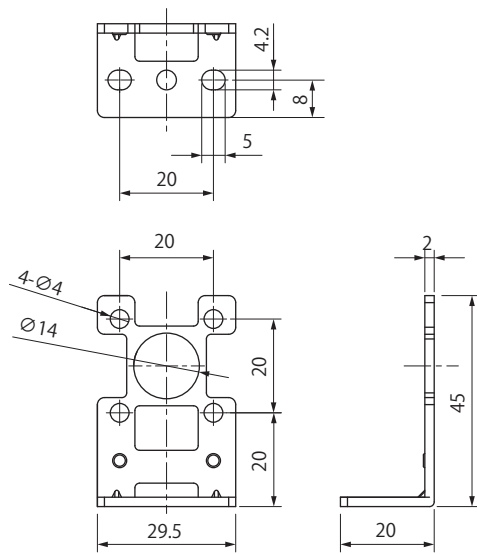
Error type	Error code	Error condition	Trouble shooting
Excess load current error	OUT1	Er1	Output 1 load current is more than 125 mA. Turn power off and check the cause of overload current or lower the current load under 125 mA, then restart.
	OUT2	Er2	
Residual pressure error	Er3	During zero reset, input pressure is over $\pm 3\%$ F.S. of ambient pressure.	Change input pressure to ambient pressure and perform zero reset again.
Applied pressure error	HHH	Supply pressure is exceeding the upper limit of pressure setting.	Adjust the pressure within operating pressure range.
	LLL	Supply pressure is exceeding the lower limit of pressure setting.	
System error	Er4	Internal system error	Turn power off, and then restart. If error condition remains, please contact us.
	Er5	Internal system error	
	Er6	Internal data error	
	Er7	Internal data error	

Dimensions

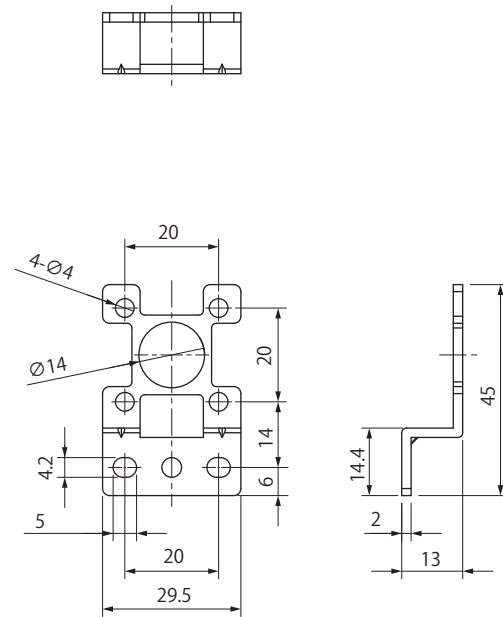
(mm)



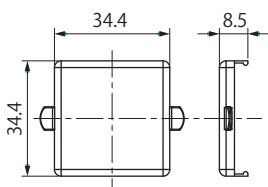
■ L Bracket Fitting



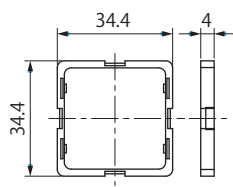
■ F Bracket Fitting



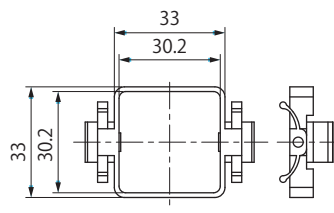
■ Front Mounting Panel



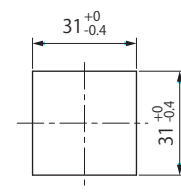
■ Panel Adapter A



■ Panel Adapter B



■ Panel Cut



Board thickness: 4.5mm or less