

## Vacuum Filter

RoHS



Flat type design, high vacuum (air) flow, easy maintenance!

- Can connect to vacuum port that has high flow.
- Easily exchange the elements without tools while piping.

Several port size available.

Rp1/8

Rp1/4

Rc3/8

VF series is for vacuum line only.

※Please use only for the vacuum line.

※To protect the vacuum equipment under the dust environment, please use on the line.

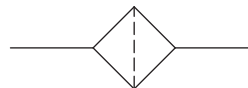
## How to Order

VF - 3

Port Size

Symbol	Size
3	Rp1/8
5	Rp1/4
6	Rc3/8

## Symbol



## Maintenance Parts

### • Element

VF - 3 E

Applicable model

3	VF-3
5	VF-5
6	VF-6



### • Filter kit (cover, O ring)

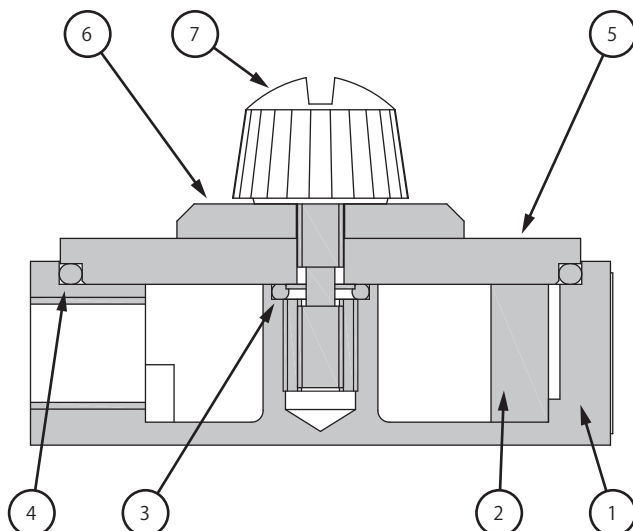
Model number	Applicable model
VF-3K	VF-3
	VF-5
	VF-6



## Specifications

Description \ Model number	Unit	VF-3	VF-5	VF-6
Fluid		Air (vacuum), non-corrosive gas, non-flammable gas		
Ambient temperature range	°C	0~60(No freezing)		
Operating pressure range	kPa	-95.9~0		
Withstand pressure	MPa	0.5		
Port size		Rp1/8	Rp1/4	Rc3/8
Filtration	μm	15		
Filtration area	mm <sup>2</sup>	1100	2095	2646
Suitable CONVUM nozzle size	mm	1.0 or less	1.5 or less	2.0 or less
Weight	g	90	150	235

## Construction



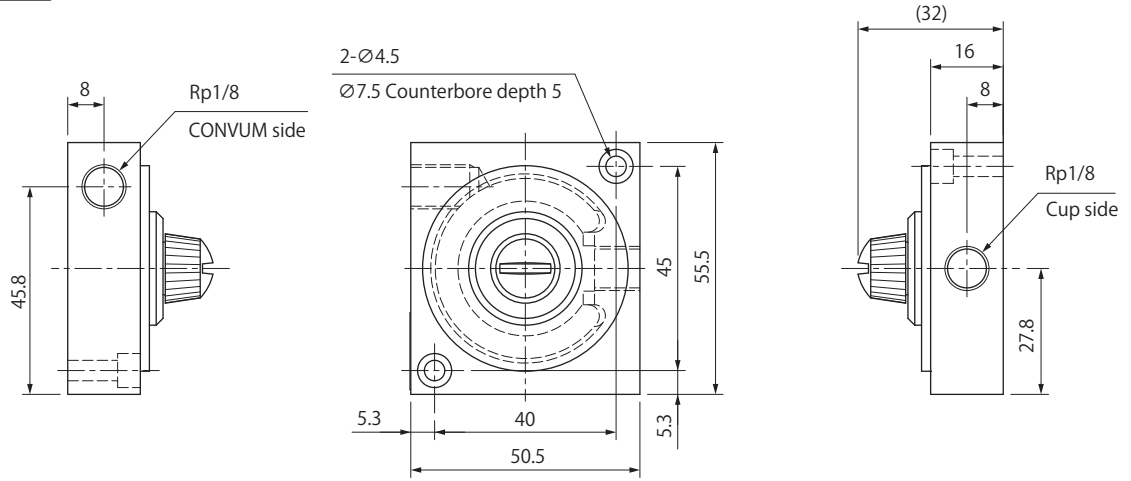
### Component Parts

No.	Parts name	Material
1	Body	Aluminium
2	Element	PVF
3	O ring	NBR
4	O ring	NBR
5	Cover	PC
6	Cover ring	Iron
7	Screw	-

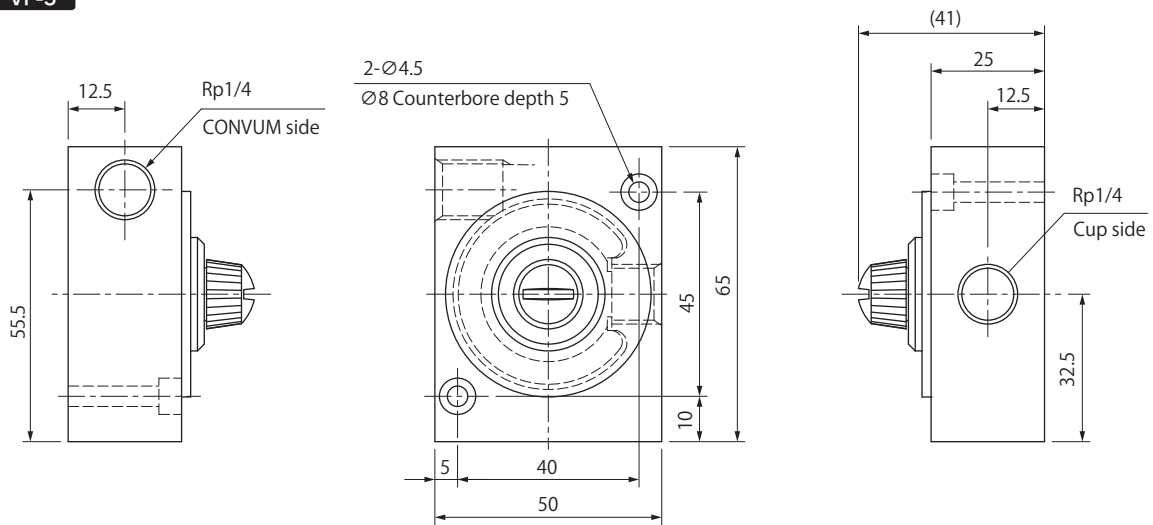
## Dimensions

(mm)

**VF-3**



**VF-5**



**VF-6**

