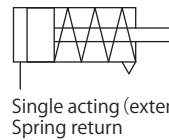
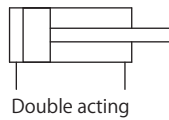


TKY Miniature Cylinder with Barb Connector

- With barb connector
- It can be directly attached to the body
- Double acting and single acting can be selected



Symbol



How to Order

TKY - W - 6X4

①

②

① Acting Type

O	Single acting (extending type)
W	Double acting

② Tube I.D. × Stroke(mm)

4.5X3	φ4.5×3	8X4	φ8×4
4.5X6	φ4.5×6	8X8	φ8×8
6X4	φ6×4	10X5	φ10×5
6X8	φ6×8	10X10	φ10×10

Standard stroke

Tube I.D.(mm)	Standard stroke (mm)
4.5	3, 6
6	4, 8
8	4, 8
10	5, 10

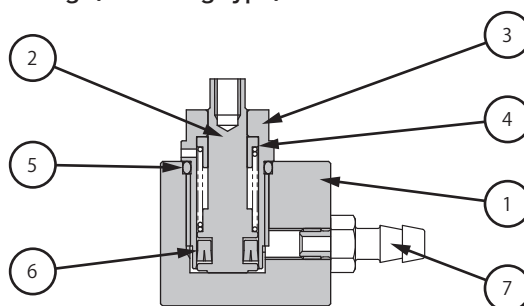
Specifications

Description \ Tube I.D.	mm	φ 4.5	φ 6	φ 8	φ 10
		Double acting/single acting (extending type)			
Fluid		Non-lubricated compressed air			
Withstand pressure	MPa	0.9			
Max. Operating pressure	MPa	0.6			
Min. Operating pressure	MPa	0.2			
Ambient and fluid temperature	°C	0~60(No Freezing) ^{Note 1}			
Cushion		N/A			
Stroke allowance	mm	0~+1.0			
Piston speed range	mm/s	50~750			

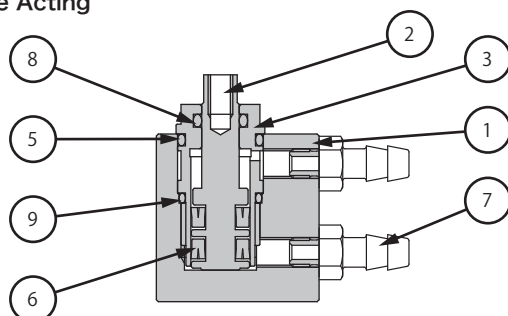
Note1) When using under 5°C, dry air should be supplied to prevent drain from freezing.

Construction

Single Acting (extending type)



Double Acting



Component Parts

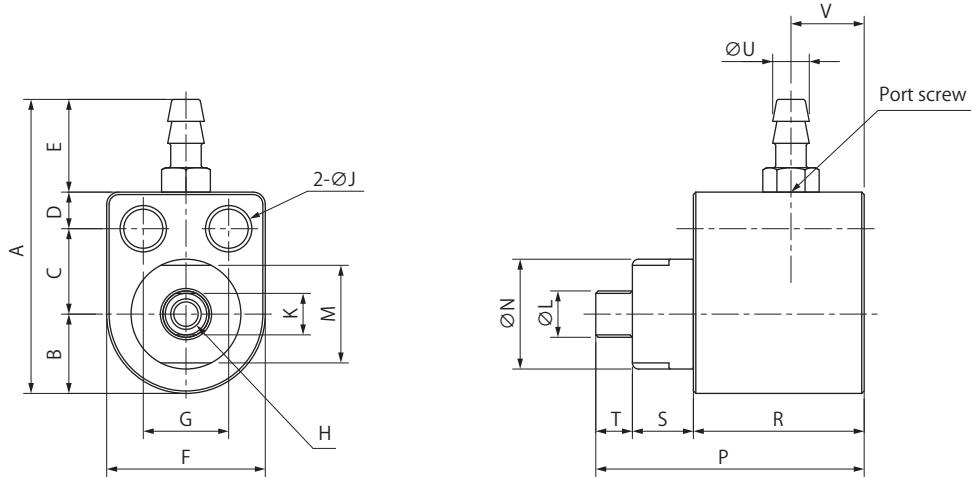
No.	Parts name	Material
1	Body	Aluminum
2	Piston	SUS
3	Rod cover	Brass
4	Spring	SUS
5	O ring	NBR
6	O ring	H-NBR
Note 1	Mini Y packing	H-NBR
7	Barb connector	Brass
8	O ring	H-NBR
9	O ring	NBR

Note1) Use mini Y Packing for cylinder I.D. φ6 or more.

Dimensions

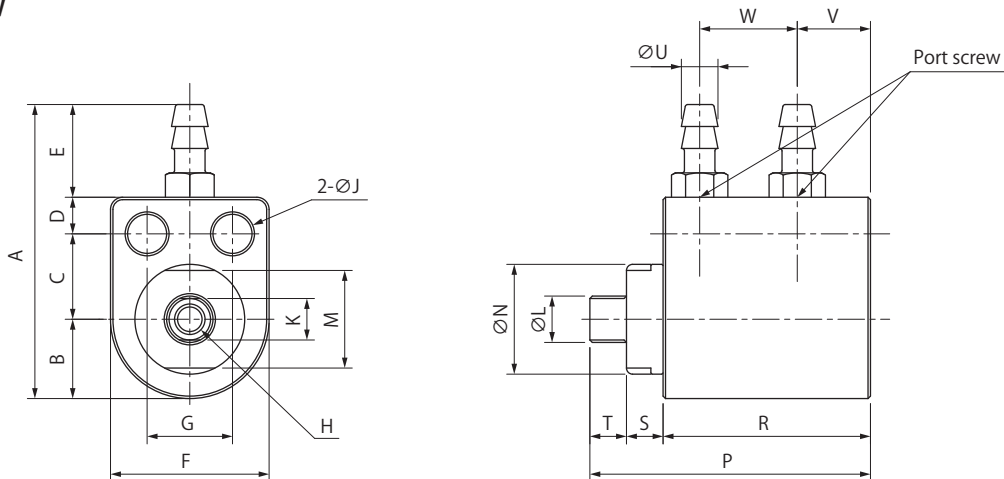
(mm)

Single Acting (extending type)
TKY-O



Model number	A	B	C	D	E	F	G	H	J	K	L	M	N	P	R	S	T	U	V	Port screw			
TKY-O-4.5X3	21.6	5.5	6	2.5	7.6	11	6	M2×0.4 depth 3.5	2.7	2.6	3	7	8	18	10	5	3	3	5	M2.5			
TKY-O-4.5X6						13	7	M2.5×0.45 depth 4	3.2	3.4	3.8	8	9	22	14				6		5	5	6
TKY-O-6X4	24.1	6.5	7	3		11	16	10		M3×0.5 depth 5	4.5	5.5	12	14	23								14
TKY-O-8X4	31	8	9		18						12	5	6	14	16	28	18	7		8			
TKY-O-8X8																							
TKY-O-10X5	32	9															29		29				
TKY-O-10X10																							

Double Acting
TKY-W



Model number	A	B	C	D	E	F	G	H	J	K	L	M	N	P	R	S	T	U	V	W	Port screw						
TKY-W-4.5X3	21.6	5.5	6	2.5	7.6	11	6	M2×0.4 depth 3.5	2.7	2.6	3	7	8	20	14.6	2.4	3	3	5	6	M2.5						
TKY-W-4.5X6						13	7	M2.5×0.45 depth 4	3.2	3.4	3.8	8	9	23	17	3				5		5	8				
TKY-W-6X4	24.1	6.5	7	3		11	16	10		M3×0.5 depth 5	4.5	5.5	12	14	27								21	4	8	9	M5
TKY-W-6X8																											
TKY-W-8X4	31	8	9		18				12		5	6	14	16	28	23	7	8									
TKY-W-8X8																											
TKY-W-10X5	32	9																	29	22	8	9					
TKY-W-10X10										33	26	13															