

# Foam Cup



Suction cup made of foam (sponge).  
For uneven workpieces with surfaces such as those of block tiles!



Wide range of cup sizes.

- φ4
- φ6.5
- φ8
- φ9.5
- φ12
- φ15
- φ20
- φ30
- φ40
- φ50
- φ60
- φ70
- φ80
- φ100

Various fittings for many kinds of applications.




Suction Cup  
Foam Cup










02 Suction Cup

- PA
- PB
- PC
- PCD
- PD**
- PF
- PFO
- PH
- PJ
- CORE
- PK2
- PK2B
- PK2L
- PL
- PN
- PN-B
- PP
- PQ
- PR
- PU
- PW
- RA
- SM
- TN

Suction Cup

PDG		Cup size (mm) φ 4 ~ 100	P.261
-----	---	----------------------------	-------

Fitting

Type	Applicable cup size (mm)	Stroke (mm)	Vacuum port	Piping · Connector	Page
Cup with compact fixed fitting PDTM	 φ 4 ~ 15	N/A	Top	Male screw	P.265
Cup with fixed fitting PDTK	 φ 20 ~ 50	N/A	Top	Barb	P.267
	φ 60 ~ 100			Female screw	
Cup with fixed fitting PDYK	 φ 20 ~ 50	N/A	Side	Barb	P.267
	φ 60 ~ 100			Female screw	
Cup with spring fitting NAPDTS	 φ 20 ~ 50	6, 15, 30	Top	Female screw Push-in Barb	P.271
	φ 60 ~ 100	10, 30, 50		Female screw	
Cup with spring fitting NAPDYS	 φ 20 ~ 50	6, 15, 30	Side	Female screw Push-in Barb	P.271
	φ 60 ~ 100	10, 30, 50		Female screw	
Cup with non-rotation spring fitting NAPDTH	 φ 20 ~ 50	6, 15, 30	Top	Female screw Push-in Barb	P.275
Cup with non-rotation spring fitting NAPDYH	 φ 20 ~ 50	6, 15, 30	Side	Female screw Push-in Barb	P.275
Setting screw	 φ 20 ~ 50	—	—	—	P.503
Holder	 φ 20 ~ 100	—	—	—	P.263

# PDG Foam Cup

Suction Cup  
Foam Cup

## How to Order



PDG - 4 - CR-E

① Cup Size (mm)

Symbol	Cup size	Symbol	Cup size
4	φ4	30	φ30
6.5	φ6.5	40	φ40
8	φ8	50	φ50
9.5	φ9.5	60	φ60
12	φ12	70	φ70
15	φ15	80	φ80
20	φ20	100	φ100

### ② Cup Rubber Material

Symbol	Material
Blank	CR (Chloroprene) <sup>Note1</sup>
CR-E	Conductive chloroprene <sup>Note 2</sup>

Note1) φ 20 ~ 100 only.

Note2) φ 4 ~ 15 only.

※ Please consult with us for other material.

## Cup Rubber Material Standard Specifications

Symbol	Material	Hardness (A/s)	Ambient temperature (°C)	Color	Volume resistivity <sup>Note1,2</sup>
CR	Chloroprene	15	-30 ~ 130	Black	-
CR-E	Conductive chloroprene	20	-30 ~ 110	Black	10 <sup>4</sup> Ω · cm

Note1) Volume resistivity shows conductivity, resistance value is per cm<sup>3</sup>.

Note2) It is the measured value of in our designated test piece.

## Applicable Rubber Material Table

Material	Color	Symbol	Round type													
			4	6.5	8	9.5	12	15	20	30	40	50	60	70	80	100
Chloroprene	Black	CR	×	×	×	×	×	×	●	●	●	●	●	●	●	●
Conductive chloroprene	Black	CR-E	●	●	●	●	●	●	×	×	×	×	×	×	×	×

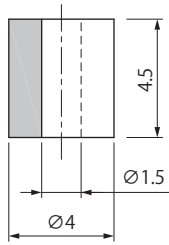
●: In stock    ○: Made to order    ×: None

※Please consult with us for other material.

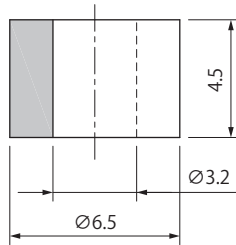
## Dimensions

(mm)

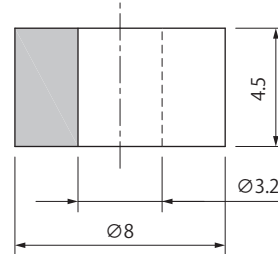
**PDG-4**



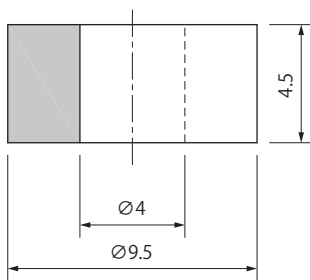
**PDG-6.5**



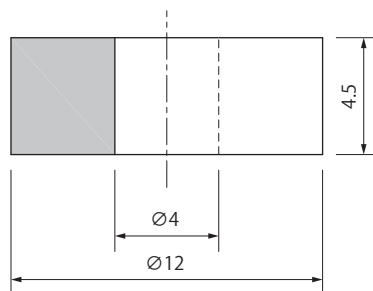
**PDG-8**



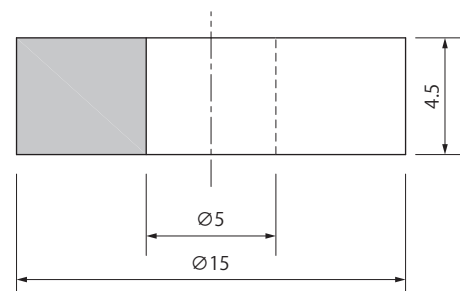
**PDG-9.5**



**PDG-12**



**PDG-15**



## Weight

(g)

Model \ Material	CR-E
PDG-4	0.1
PDG-6.5	0.1
PDG-8	0.1
PDG-9.5	0.1
PDG-12	0.2
PDG-15	0.3

## 02

Suction Cup

PA

PB

PC

PCD

**PD**

PF

PFO

PH

PJ

CORE

PK2

PK2B

PK2L

PL

PN

PN-B

PP

PQ

PR

PU

PW

RA

SM

TN

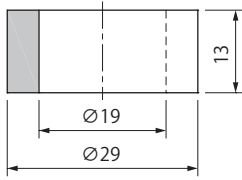
# PDG Foam Cup

Suction Cup  
Foam Cup

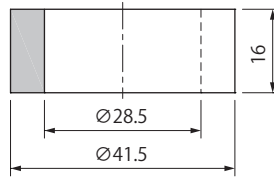
## Dimensions

(mm)

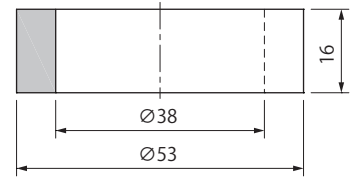
**PDG-20**



**PDG-30**



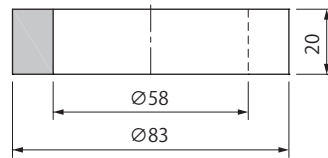
**PDG-40**



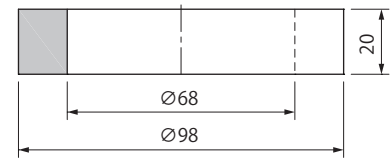
**PDG-50**



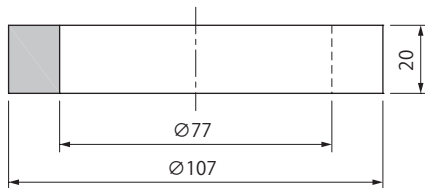
**PDG-60**



**PDG-70**



**PDG-80**



**PDG-100**



## Weight

(g)

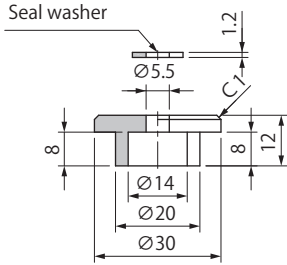
Model \ Material	CR	Applicable setting screw (Screw specifications)	Applicable holder
PDG-20	1.1	TN-PF-20-M5 (Male M5×0.8)	PDH-20-M5
PDG-20		TN-PF-25-M6 (Male M6×1.0)	PDH-20-M6
PDG-30	2.7	TN-PF-25-M6 (Male M6×1.0)	PDH-30
PDG-40	3.9		PDH-40
PDG-50	4.8	TN-PF-50-M6 (Male M6×1.0)	PDH-50
PDG-50		TN-PF-50-M8 (Male M8×1.25)	
PDG-60	12.3		PDH-60
PDG-70	18.3		PDH-70
PDG-80	19.8		PDH-80
PDG-100	24.4		PDH-100

※Please refer to P.503 for setting screw detailed specifications.

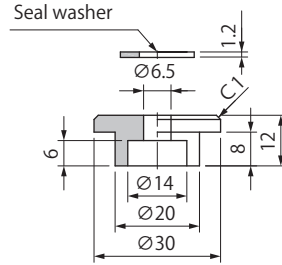
Dimensions (Holder)

(mm)

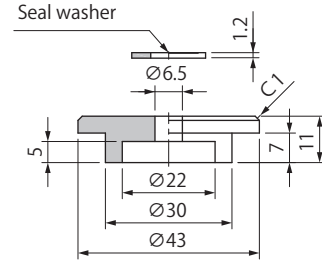
**PDH-20-M5**



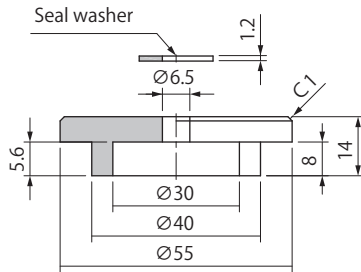
**PDH-20-M6**



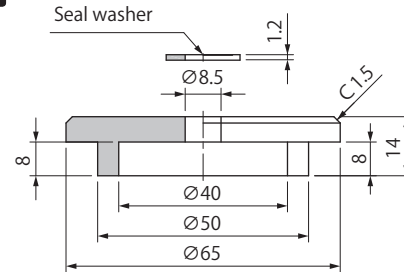
**PDH-30**



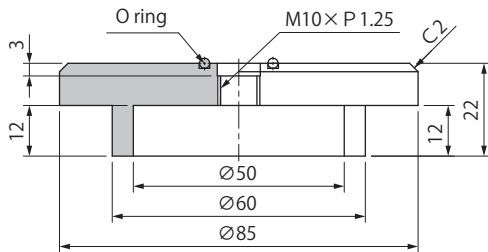
**PDH-40**



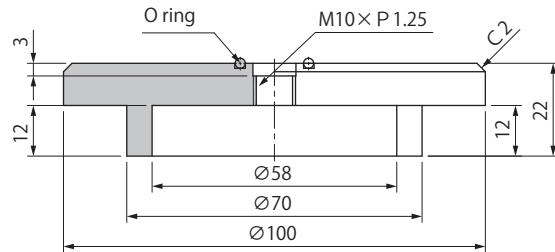
**PDH-50**



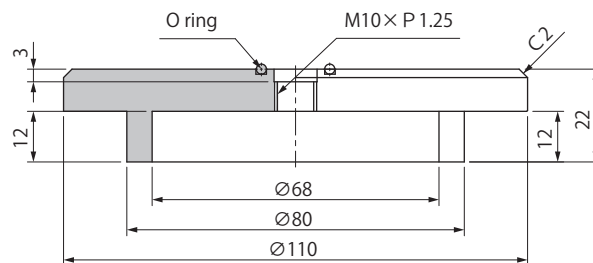
**PDH-60**



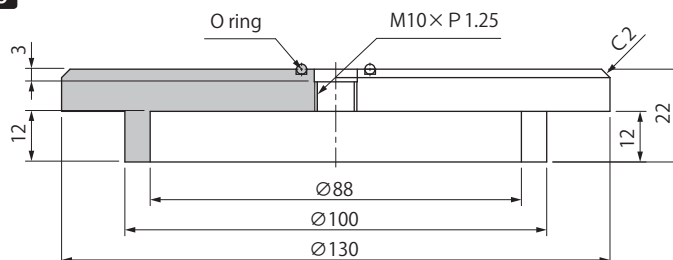
**PDH-70**



**PDH-80**



**PDH-100**



02

Suction Cup

PA

PB

PC

PCD

**PD**

PF

PFO

PH

PJ

CORE

PK2

PK2B

PK2L

PL

PN

PN-B

PP

PQ

PR

PU

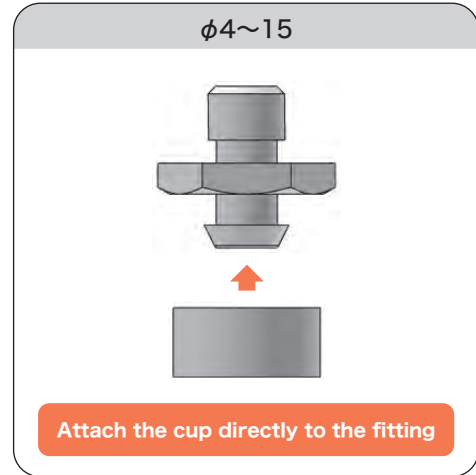
PW

RA

SM

TN

# PDTM Cup with Compact Fixed Fitting



Simple constitution of the cup and the fitting.

02

Suction Cup

## How to Order

PDTM — 4 — CR-E — M5M

①

②

③

### ① Cup Size (mm)

Symbol	Cup size
4	$\phi 4$
6.5	$\phi 6.5$
8	$\phi 8$
9.5	$\phi 9.5$
12	$\phi 12$
15	$\phi 15$

### ② Cup Rubber Material

Symbol	Material
CR-E	Conductive chloroprene

※ Please consult with us for other material.

### ③ Screw Type

M5M	M5
10-32M	10/32M

※If ① is 4, only M5M screw available.

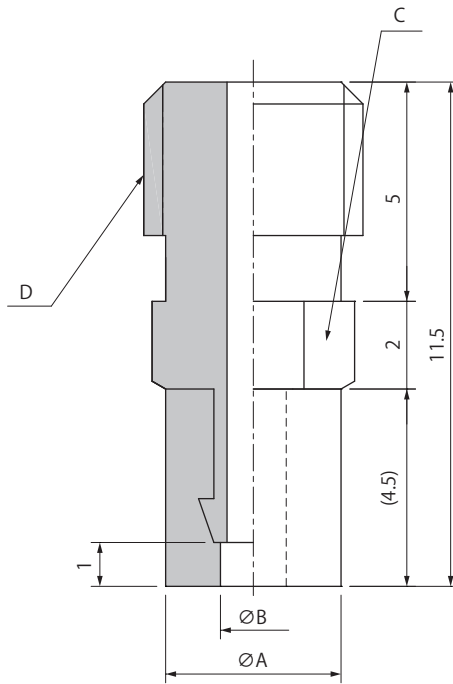
## Combination Table

Model number	Cup	Fitting	Screw type
PDTM-4-CR-E-M5M	PDG-4-CR-E	DTM-4-M5M	M5
PDTM-6.5-CR-E-M5M	PDG-6.5-CR-E	DTM-6.5-M5M	
PDTM-8-CR-E-M5M	PDG-8-CR-E	DTM-8-M5M	
PDTM-9.5-CR-E-M5M	PDG-9.5-CR-E	DTM-9.5-M5M	
PDTM-12-CR-E-M5M	PDG-12-CR-E	DTM-12-M5M	
PDTM-15-CR-E-M5M	PDG-15-CR-E	DTM-15-M5M	
PDTM-6.5-CR-E-10-32M	PDG-6.5-CR-E	DTM-6.5-10-32M	10/32-18UNC
PDTM-8-CR-E-10-32M	PDG-8-CR-E	DTM-8-10-32M	
PDTM-9.5-CR-E-10-32M	PDG-9.5-CR-E	DTM-9.5-10-32M	
PDTM-12-CR-E-10-32M	PDG-12-CR-E	DTM-12-10-32M	
PDTM-15-CR-E-10-32M	PDG-15-CR-E	DTM-15-10-32M	

Dimensions

(mm)

**PDTM**



Model number	A	B	Width across flat C	D	Weight (g)
PDTM-4-CR-E-M5M	4	1.5	4	M5	0.8
PDTM-6.5-CR-E-M5M	6.5	3.2	8		1.4
PDTM-6.5-CR-E-10-32M			12	10/32-18UNC	2.6
PDTM-8-CR-E-M5M	8	3.2	8	M5	1.5
PDTM-8-CR-E-10-32M			12	10/32-18UNC	2.6
PDTM-9.5-CR-E-M5M	9.5	4	10	M5	2.1
PDTM-9.5-CR-E-10-32M			12	10/32-18UNC	2.8
PDTM-12-CR-E-M5M	12	4	12	M5	2.7
PDTM-12-CR-E-10-32M				10/32-18UNC	3.9
PDTM-15-CR-E-M5M	15	5	15	M5	4.1
PDTM-15-CR-E-10-32M				10/32-18UNC	5.2

**02**

Suction Cup

PA

PB

PC

PCD

**PD**

PF

PFO

PH

PJ

CORE

PK2

PK2B

PK2L

PL

PN

PN-B

PP

PQ

PR

PU

PW

RA

SM

TN

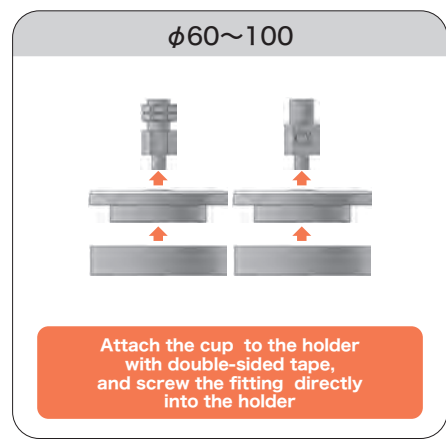
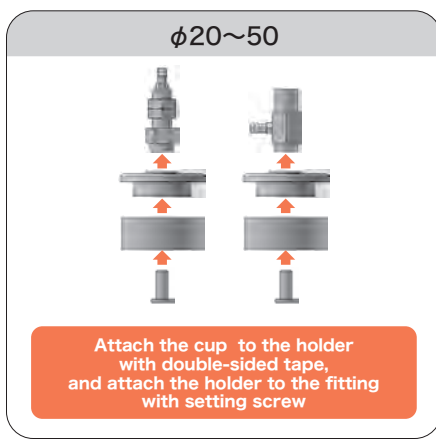


## PDTK·YK Cup with Fixed Fitting

Suction Cup  
Foam Cup



Consisting of fitting, setting screw, holder, suction cup.



02  
Suction Cup

- PA
- PB
- PC
- PCD
- PD**
- PF
- PFO
- PH
- PJ
- CORE
- PK2
- PK2B
- PK2L
- PL
- PN
- PN-B
- PP
- PQ
- PR
- PU
- PW
- RA
- SM
- TN

### How to Order

PD **T** K - **20**

① Vacuum Port

T	Top
Y	Side

② Cup Size (mm)

Symbol	Cup size	Symbol	Cup size
<b>20</b>	φ20	<b>60</b>	φ60
<b>30</b>	φ30	<b>70</b>	φ70
<b>40</b>	φ40	<b>80</b>	φ80
<b>50</b>	φ50	<b>100</b>	φ100

## Combination Table

### Top Port

Model number	Cup	Setting screw	Fitting	Holder	Piping specifications	
PDTK-20	PDG-20	TN-PF-20-M5	PFTK-15-K	PDH-20-M5	Barb	Φ 6X4
PDTK-30	PDG-30	TN-PF-25-M6	PFTK-25-K	PDH-30		
PDTK-40	PDG-40			PDH-40		
PDTK-50	PDG-50	TN-PF-50-M8	PFTK-50-K	PDH-50		
PDTK-60	PDG-60	Screw the fitting directly into the holder	PFTK-60-K	PDH-60	Rc1/8 (Female)	
PDTK-70	PDG-70			PDH-70		
PDTK-80	PDG-80			PDH-80		
PDTK-100	PDG-100			PDH-100		

### Side Port

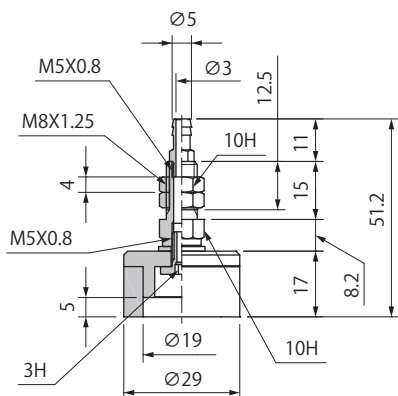
Model number	Cup	Setting screw	Fitting	Holder	Piping specifications	
PDYK-20	PDG-20	TN-PF-20-M5	PFYK-15-K	PDH-20-M5	Barb	Φ 6X4
PDYK-30	PDG-30	TN-PF-25-M6	PFYK-25-K	PDH-30		
PDYK-40	PDG-40			PDH-40		
PDYK-50	PDG-50	TN-PF-50-M8	PFYK-50-K	PDH-50		
PDYK-60	PDG-60	Screw the fitting directly into the holder	PFYK-60-K	PDH-60	Rc1/8 (Female)	
PDYK-70	PDG-70			PDH-70		
PDYK-80	PDG-80			PDH-80		
PDYK-100	PDG-100			PDH-100		

# PDTK·YK Cup with Fixed Fitting

## Dimensions

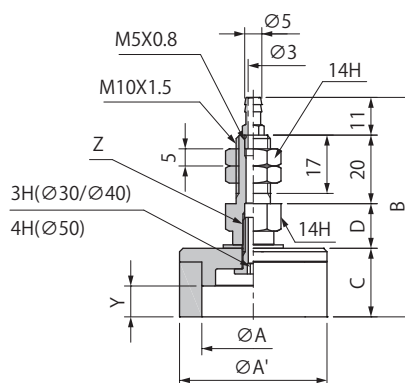
(mm)

Top Port PDTK-20



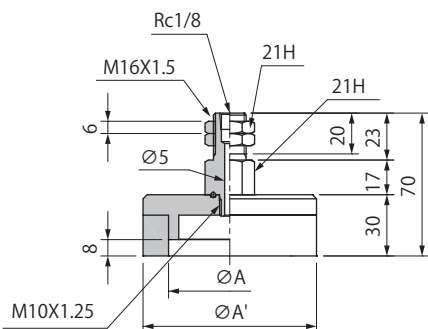
Model number	Weight (g)
PDTK-20	35

Top Port PDTK-30/40/50



Model number	A	A'	B	C	D	Y	Z	Weight (g)
PDTK-30	28.5	41.5	64.2	20	13.2	9	M6X1.0	63
PDTK-40	38	53	66.2	22				90
PDTK-50	48	63	67	22	14	8	M8X1.25	120

Top Port PDTK-60/70/80/100



Model number	A	A'	Weight (g)
PDTK-60	58	83	290
PDTK-70	68	98	365
PDTK-80	77	107	415
PDTK-100	97	127	540

Suction Cup  
Foam Cup

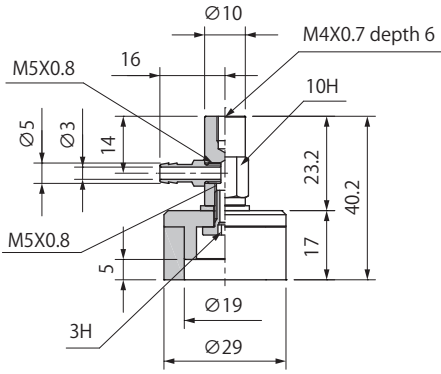
02  
Suction Cup

- PA
- PB
- PC
- PCD
- PD**
- PF
- PFO
- PH
- PJ
- CORE
- PK2
- PK2B
- PK2L
- PL
- PN
- PN-B
- PP
- PQ
- PR
- PU
- PW
- RA
- SM
- TN

Dimensions

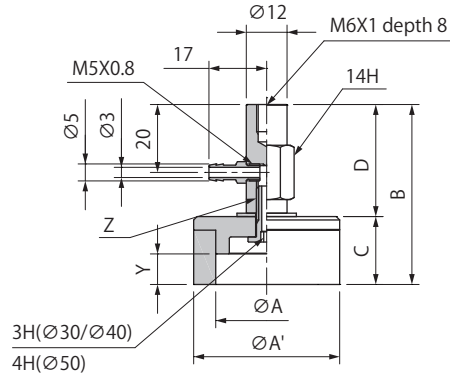
(mm)

Side Port PDYK-20



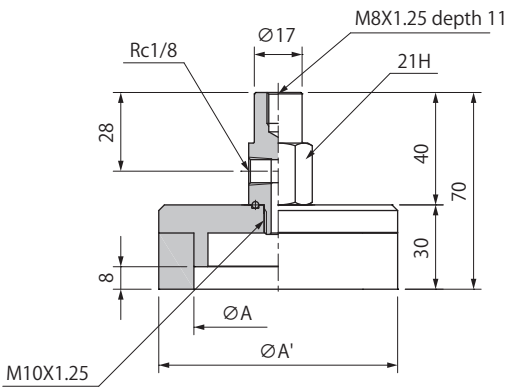
Model number	Weight (g)
PDYK-20	35

Side Port PDYK-30/40/50



Model number	A	A'	B	C	D	Y	Z	Weight (g)
PDYK-30	28.5	41.5	53.2	20	33.2	9	M6X1.0	63
PDYK-40	38	53	55.2	22	34	8		90
PDYK-50	48	63	56				125	

Side Port PDYK-60/70/80/100



Model number	A	A'	Weight (g)
PDYK-60	58	83	280
PDYK-70	68	98	355
PDYK-80	77	107	405
PDYK-100	97	127	530

02  
Suction Cup

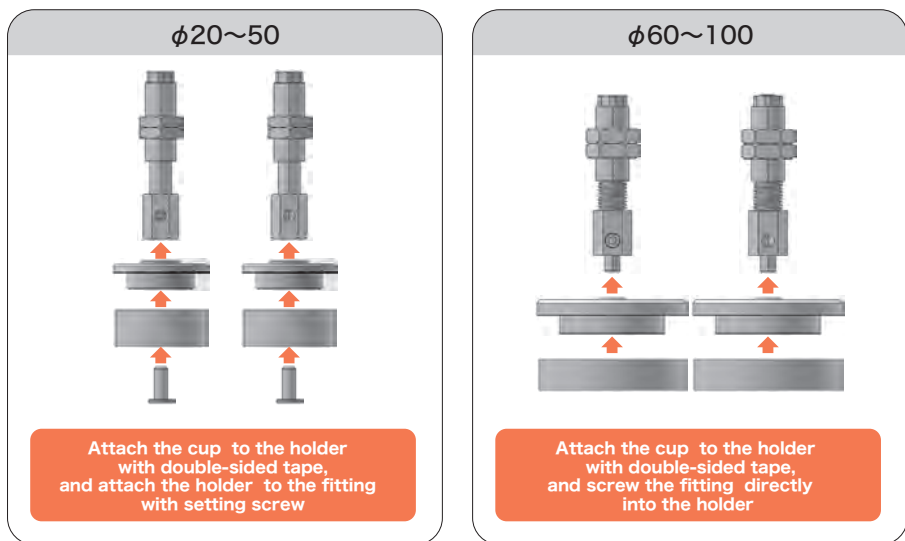
- PA
- PB
- PC
- PCD
- PD**
- PF
- PFO
- PH
- PJ
- CORE
- PK2
- PK2B
- PK2L
- PL
- PN
- PN-B
- PP
- PQ
- PR
- PU
- PW
- RA
- SM
- TN

## NAPDTS·YS Cup with Spring Fitting

Suction Cup  
Foam Cup



Consisting of fitting, setting screw, holder, suction cup.



02  
Suction Cup

- PA
- PB
- PC
- PCD
- PD**
- PF
- PFO
- PH
- PJ
- CORE
- PK2
- PK2B
- PK2L
- PL
- PN
- PN-B
- PP
- PQ
- PR
- PU
- PW
- RA
- SM
- TN

### How to Order

**NAPD**   **T**   **S**   -   **20-6**   -   **T**

①

**① Vacuum Port**

T	Top
Y	Side

②

**② Cup Size - Stroke (mm)**

Symbol	Cup size Stroke
20-6	φ20-6
20-15	φ20-15
20-30	φ20-30
30-6	φ30-6
30-15	φ30-15
30-30	φ30-30
40-6	φ40-6
40-15	φ40-15
40-30	φ40-30
50-6	φ50-6
50-15	φ50-15
50-30	φ50-30

③

**③ Connector**

Blank	N/A
T	Barb
O	Push-in

注) φ60 or more can not be selected "T" and "O"

### Spring Specifications

Cup size	Unit	φ20~50			φ60~100		
Stroke	mm	6	15	30	10	30	50
Spring load at 0 stroke	N	2.45		2.9	8.82	6.76	8.33
Spring load at full stroke	N	3.43	4.9	5.88	11.8	15.6	19.6

### Combination Table

Model number	Cup	Setting screw	Fitting	Holder	Piping specifications		
					Without connector · Blank	Barb connector · T	Push-in connector · O
NAPD○S-20-6 (-T/O)	PDG-20	TN-PF-25-M6	NAPFOS-20B-6-K (-T/O)	PDH-20-M6	M5X0.8 (Female)	φ6 X 4	
NAPD○S-20-15 (-T/O)			NAPFOS-20B-15-K (-T/O)				
NAPD○S-20-30 (-T/O)			NAPFOS-20B-30-K (-T/O)				
NAPD○S-30-6 (-T/O)	PDG-30		NAPFOS-20B-6-K (-T/O)	PDH-30			
NAPD○S-30-15 (-T/O)			NAPFOS-20B-15-K (-T/O)				
NAPD○S-30-30 (-T/O)			NAPFOS-20B-30-K (-T/O)				
NAPD○S-40-6 (-T/O)	PDG-40		NAPFOS-20B-6-K (-T/O)	PDH-40			
NAPD○S-40-15 (-T/O)			NAPFOS-20B-15-K (-T/O)				
NAPD○S-40-30 (-T/O)			NAPFOS-20B-30-K (-T/O)				
NAPD○S-50-6 (-T/O)	PDG-50	NAPFOS-20B-6-K (-T/O)	PDH-50				
NAPD○S-50-15 (-T/O)		NAPFOS-20B-15-K (-T/O)					
NAPD○S-50-30 (-T/O)		NAPFOS-20B-30-K (-T/O)					
NAPD○S-60-10	PDG-60	Screw the fitting directly into the holder	NAPFOS-60-10-K	PDH-60	Rc1/8 (Female)	-	
NAPD○S-60-30			NAPFOS-60-30-K				
NAPD○S-60-50			NAPFOS-60-50-K				
NAPD○S-70-10	PDG-70		NAPFOS-60-10-K	PDH-70			
NAPD○S-70-30			NAPFOS-60-30-K				
NAPD○S-70-50			NAPFOS-60-50-K				
NAPD○S-80-10	PDG-80		NAPFOS-60-10-K	PDH-80			
NAPD○S-80-30			NAPFOS-60-30-K				
NAPD○S-80-50			NAPFOS-60-50-K				
NAPD○S-100-10	PDG-100		NAPFOS-60-10-K	PDH-100			
NAPD○S-100-30			NAPFOS-60-30-K				
NAPD○S-100-50			NAPFOS-60-50-K				

※○in the table indicates the vacuum port (T or Y).

02

Suction Cup

PA

PB

PC

PCD

PD

PF

PFO

PH

PJ

CORE

PK2

PK2B

PK2L

PL

PN

PN-B

PP

PQ

PR

PU

PW

RA

SM

TN

## NAPDTS·YS Cup with Spring Fitting

Suction Cup  
Foam Cup

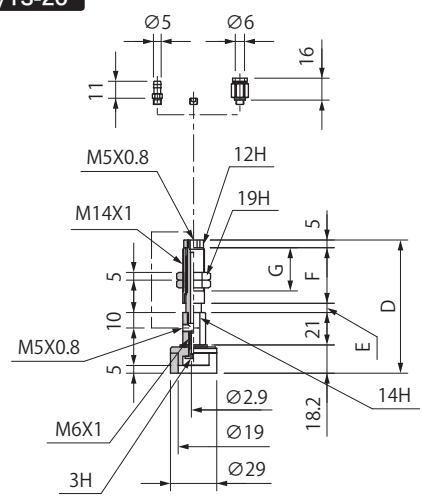
02

- PA
- PB
- PC
- PCD
- PD
- PF
- PFO
- PH
- PJ
- CORE
- PK2
- PK2B
- PK2L
- PL
- PN
- PN-B
- PP
- PQ
- PR
- PU
- PW
- RA
- SM
- TN

### Dimensions

(mm)

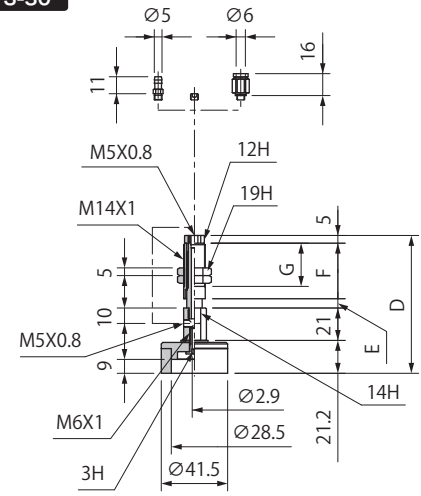
#### NAPDT/YS-20



Model number	D	E	F	G	Weight (g)
NAPDT/YS-20-6 (-T/O)	86.2	6	36	28	82.5
NAPDT/YS-20-15 (-T/O)	95.2	15			87.5
NAPDT/YS-20-30 (-T/O)	132.2	30	58	50	112.5

※ The weight value is when without connector selected.

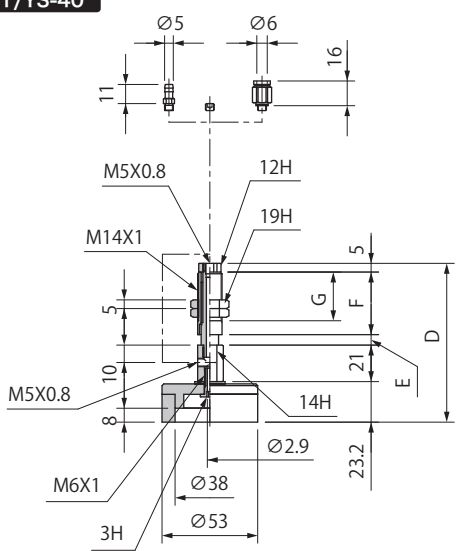
#### NAPDT/YS-30



Model number	D	E	F	G	Weight (g)
NAPDT/YS-30-6 (-T/O)	89.2	6	36	28	89
NAPDT/YS-30-15 (-T/O)	98.2	15			94
NAPDT/YS-30-30 (-T/O)	135.2	30	58	50	119

※ The weight value is when without connector selected.

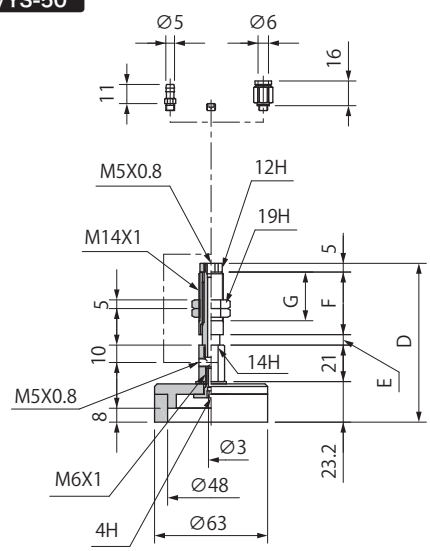
#### NAPDT/YS-40



Model number	D	E	F	G	Weight (g)
NAPDT/YS-40-6 (-T/O)	91.2	6	36	28	116.5
NAPDT/YS-40-15 (-T/O)	100.2	15			121.5
NAPDT/YS-40-30 (-T/O)	137.2	30	58	50	146.5

※ The weight value is when without connector selected.

#### NAPDT/YS-50



Model number	D	E	F	G	Weight (g)
NAPDT/YS-50-6 (-T/O)	91.2	6	36	28	140
NAPDT/YS-50-15 (-T/O)	100.2	15			145
NAPDT/YS-50-30 (-T/O)	137.2	30	58	50	170

※ The weight value is when without connector selected.

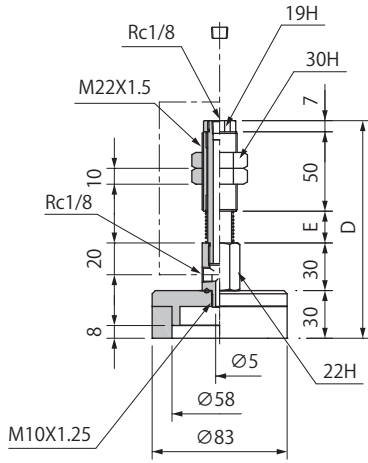
### Common Specifications

Connector Weight(g)	
Symbol	Tube O.D φ 6
T	1.5
O	4.0

Dimensions

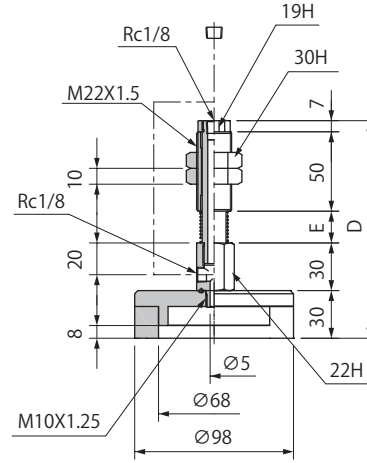
(mm)

**NAPDT/YS-60**



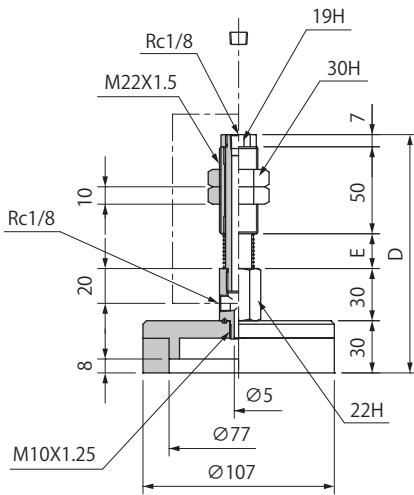
Model number	D	E	Weight (g)
NAPDT/YS-60-10	137	20	436
NAPDT/YS-60-30	167	50	470
NAPDT/YS-60-50	192	75	497

**NAPDT/YS-70**



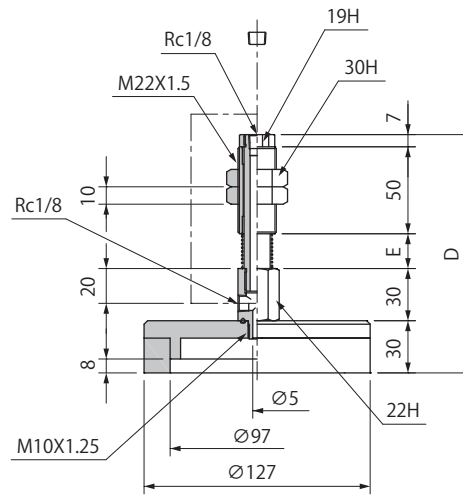
Model number	D	E	Weight (g)
NAPDT/YS-70-10	137	20	510
NAPDT/YS-70-30	167	50	544
NAPDT/YS-70-50	192	75	571

**NAPDT/YS-80**



Model number	D	E	Weight (g)
NAPDT/YS-80-10	137	20	560.5
NAPDT/YS-80-30	167	50	594.5
NAPDT/YS-80-50	192	75	621.5

**NAPDT/YS-100**



Model number	D	E	Weight (g)
NAPDT/YS-100-10	137	20	681
NAPDT/YS-100-30	167	50	715
NAPDT/YS-100-50	192	75	742

**02**  
Suction Cup

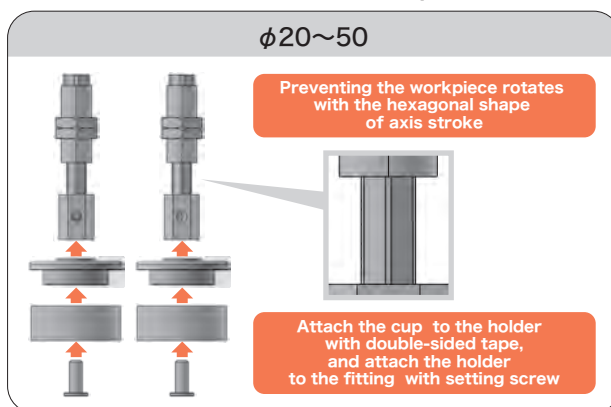
- PA
- PB
- PC
- PCD
- PD**
- PF
- PFO
- PH
- PJ
- CORE
- PK2
- PK2B
- PK2L
- PL
- PN
- PN-B
- PP
- PQ
- PR
- PU
- PW
- RA
- SM
- TN



# NAPDTH·YH Cup with Non-rotation Spring Fitting

Suction Cup  
Foam Cup

Consisting of fitting, setting screw, holder, suction cup.



How to Order

NAPD **T** H - **20-6** - **T**

① Vacuum Port

T	Top
Y	Side

② Cup Size - Stroke (mm)

Symbol	Cup size	Stroke	Symbol	Cup size	Stroke
20-6	φ20-6		40-6	φ40-6	
20-15	φ20-15		40-15	φ40-15	
20-30	φ20-30		40-30	φ40-30	
30-6	φ30-6		50-6	φ50-6	
30-15	φ30-15		50-15	φ50-15	
30-30	φ30-30		50-30	φ50-30	

③ Connector

Blank	N/A
T	Barb
O	Push-in

Spring Specifications

Cup size	Unit	φ20~50		
Stroke	mm	6	15	30
Spring load at 0 stroke	N	2.45		2.9
Spring load at full stroke	N	3.43	4.9	5.88

Combination Table

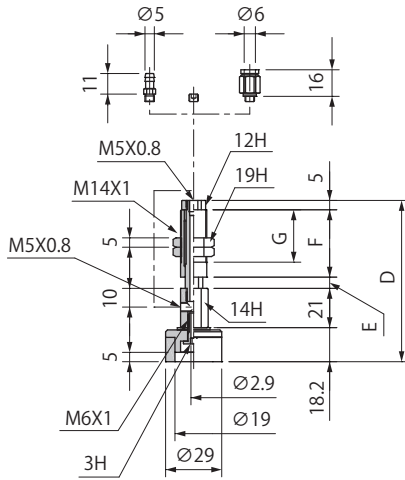
Model number	Cup	Setting screw	Fitting	Holder	Piping specifications		
					Without connector Blank	Barb connector T	Push-in connector O
NAPD○H-20-6 (-T/O)	PDG-20	TN-PF-25-M6	NAPF○H-20B-6-K (-T/O)	PDH-20-M6	M5X0.8 (Female)	φ6 X 4	
NAPD○H-20-15 (-T/O)			NAPF○H-20B-15-K (-T/O)				
NAPD○H-20-30 (-T/O)			NAPF○H-20B-30-K (-T/O)				
NAPD○H-30-6 (-T/O)	PDG-30		NAPF○H-20B-6-K (-T/O)	PDH-30			
NAPD○H-30-15 (-T/O)			NAPF○H-20B-15-K (-T/O)				
NAPD○H-30-30 (-T/O)			NAPF○H-20B-30-K (-T/O)				
NAPD○H-40-6 (-T/O)	PDG-40		NAPF○H-20B-6-K (-T/O)	PDH-40			
NAPD○H-40-15 (-T/O)			NAPF○H-20B-15-K (-T/O)				
NAPD○H-40-30 (-T/O)			NAPF○H-20B-30-K (-T/O)				
NAPD○H-50-6 (-T/O)	PDG-50		NAPF○H-20B-6-K (-T/O)	PDH-50			
NAPD○H-50-15 (-T/O)			NAPF○H-20B-15-K (-T/O)				
NAPD○H-50-30 (-T/O)			NAPF○H-20B-30-K (-T/O)				

※○ in the table indicates the vacuum port (T or Y).

Dimensions

(mm)

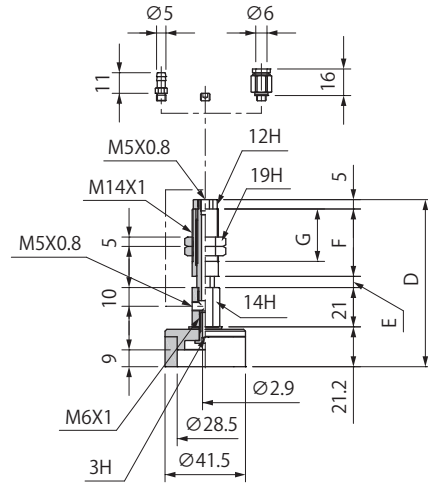
NAPDT/YH-20



Model number	D	E	F	G	Weight (g)
NAPDT/YH-20-6 (-T/O)	86.2	6	36	28	78
NAPDT/YH-20-15 (-T/O)	95.2	15			83
NAPDT/YH-20-30 (-T/O)	132.2	30	58	50	107

※ The weight value is when without connector selected.

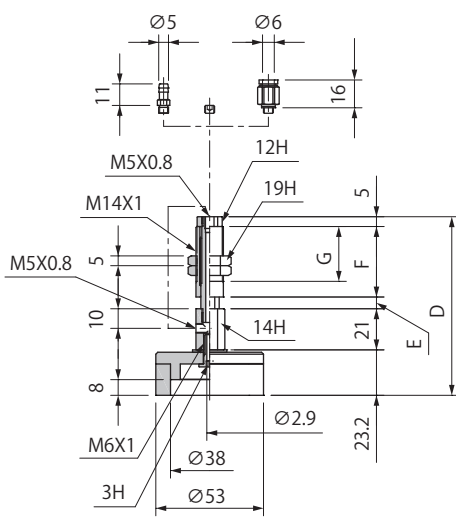
NAPDT/YH-30



Model number	D	E	F	G	Weight (g)
NAPDT/YH-30-6 (-T/O)	89.2	6	36	28	84.5
NAPDT/YH-30-15 (-T/O)	98.2	15			89.5
NAPDT/YH-30-30 (-T/O)	135.2	30	58	50	113.5

※ The weight value is when without connector selected.

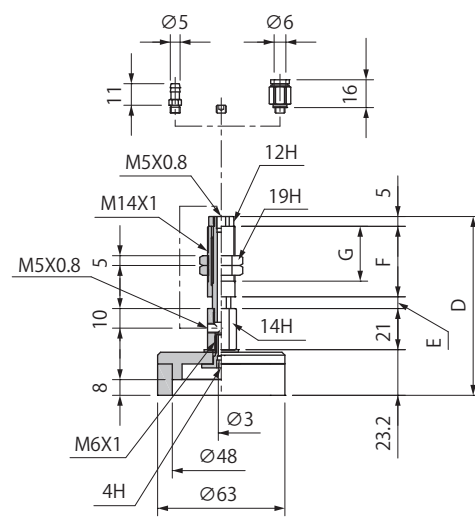
NAPDT/YH-40



Model number	D	E	F	G	Weight (g)
NAPDT/YH-40-6 (-T/O)	91.2	6	36	28	112
NAPDT/YH-40-15 (-T/O)	100.2	15			117
NAPDT/YH-40-30 (-T/O)	137.2	30	58	50	141

※ The weight value is when without connector selected.

NAPDT/YH-50



Model number	D	E	F	G	Weight (g)
NAPDT/YH-50-6 (-T/O)	91.2	6	36	28	130.5
NAPDT/YH-50-15 (-T/O)	100.2	15			135.5
NAPDT/YH-50-30 (-T/O)	137.2	30	58	50	159.5

※ The weight value is when without connector selected.

Common Specifications

Symbol	Connector Weight(g)
	Tube O.D $\phi 6$
T	1.5
O	4.0