


Special profile pads

PE series

Pad		Pad	PEG
-----	---	-----	-----

Pad material table ● : Standard X : None

	Material	Identification	Symble	Round pad					Oval pad	
				8	10	12	30	35	15 × 45	30 × 50
Standard	Nitrile	Black	N	●	●	●	●	●	●	●
	Silicone	Transparent white	S	●	●	●	●	●	●	●

Special profile pad / PEG

How to order

PEG - ^①8 - ^②N

① Pad diameter

8	φ8
10	φ10
12	φ12
15 × 45	15 × 45
30	φ30
30 × 50	30 × 50
35	φ35

② Pad rubber material

N	NBR (Nitrile rubber)
S	Silicone rubber

Please consult with us for other material.
Note) Conductive PEG-8 is not available.

Pad standard specifications

Symbol	Materials	Hardness(Hs)	Ambient temperature	Color
N	NBR (Nitrile rubber)	A55/S	-26 ~ 120°C	Black
S	Silicone rubber	A55/S	-60 ~ 250°C	White

Applicable fitting table

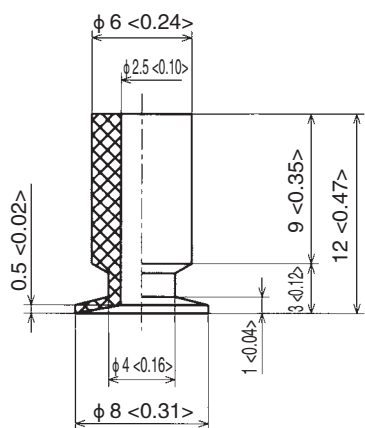
	How to order	Round pad					Oval pad		
		8	10	12	30	35	15 × 45	30 × 50	
Fitting	Top port	PFTK-15-K						○	
		PFTK-25-K							○
	Side port	PFYK-15-K						○	
		PFYK-25-K							○
Setting screw	TN-PE-35-M6					○			
	TN-PF-10-M5		○	○					
	TN-PF-15-M5						○		
	TN-PF-25-M6							○	
	TN-PN-114-M5	○							

Note1) A setting screw is needed to attach pad.

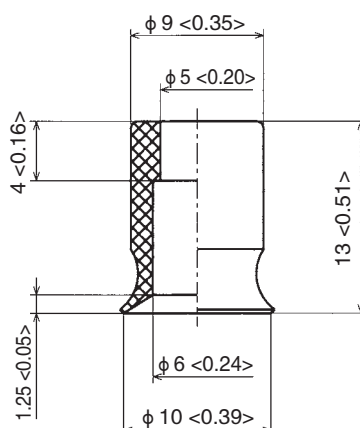
Note2) PEG-30 has an integrated screw.

Dimensions

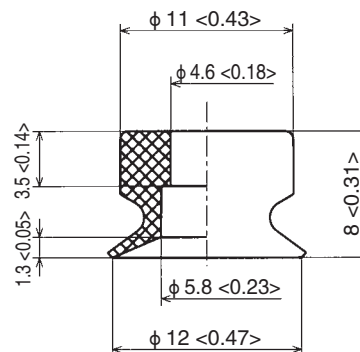
Unit : mm <inch>



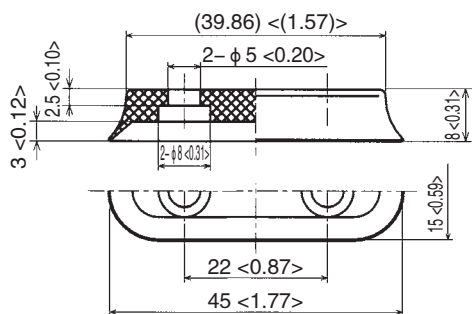
PEG-8



PEG-10

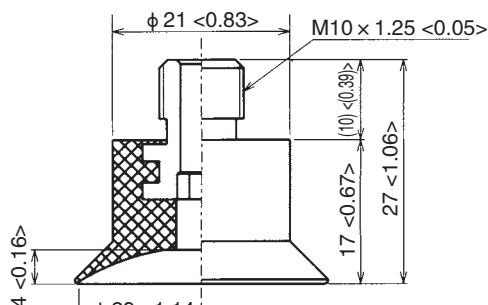


PEG-12

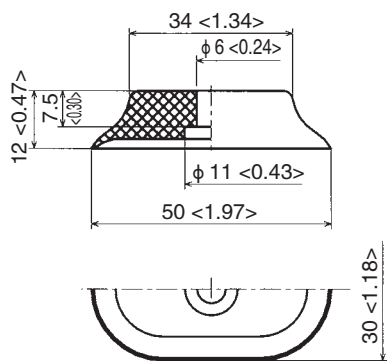


PEG-15x45

Applicable fitting PFTK-15-K/PFYK-15-K

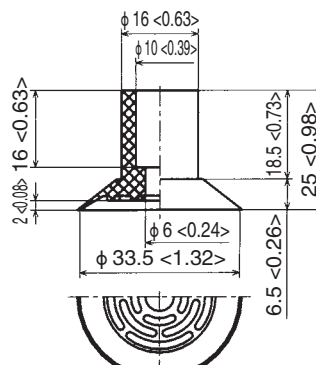


PEG-30



PEG-30x50

Applicable fitting PFTK-25-K/PFYK-25-K



PEG-35