

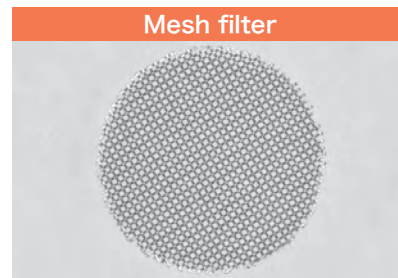
Multiple Bellows Cup



**Multiple bellows cup with firmer cushion.
More suitable handling uneven or soft workpieces !**

- Better cushion characteristics comparing with 2 or 3 bellows cups

- Built-in filter type which prevents the entrance of contaminants can be selected



Wide range of cup sizes.

φ20 φ30 φ40 φ50

Silicone rubber


Hardness 40(A40/s)
(Light blue)

← can select →


Hardness 55(A55/s)
(Translucent white)

- PA
- PB
- PC
- PCD
- PD
- PF
- PFO
- PH
- PJ
- CORE
- PK2
- PK2B
- PK2L
- PL**
- PN
- PN-B
- PP
- PQ
- PR
- PU
- PW
- RA
- SM
- TN

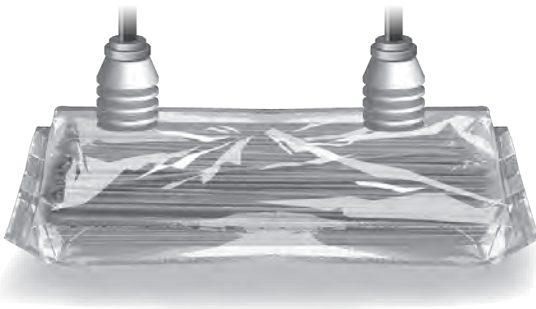
Suction Cup

PLG		Cup size (mm) ø20, 30, 40, 50		P.391
-----	---	----------------------------------	--	-------

Fitting

Type	Applicable cup size (mm)	Stroke (mm)	Vacuum port	Piping - Connector	Page
Cup with fixed fitting PL - □ 	ø20, 30, 40, 50	Without	Top	Male screw	P.393

Bags of spaghetti



Liquid filled bag



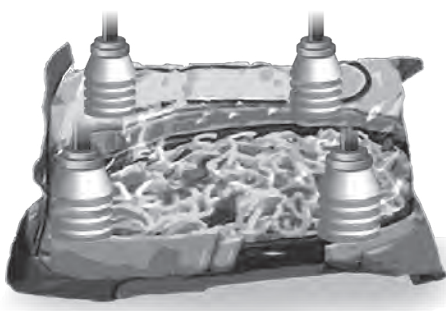
Bags of foods



Vacuum-packed side dish(uneven)



Bags of instant noodles



Retort pouch



PLG Multiple Bellows Cup

Suction Cup
Multiple Bellows Cup

How to Order



PLG — 20 — S4

① Cup Size (mm)

Symbol	Cup size
20	φ 20
30	φ 30
40	φ 40
50	φ 50

② Cup Rubber Material

Symbol	Material
S4	Silicone rubber Hardness 40
S5	Silicone rubber Hardness 55

※ Please consult with us for other material.

Cup Rubber Material Standard Specifications

Symbol	Material	Hardness (A/s)	Ambient temperature (°C)	Color
S4	Silicone rubber	40	-60 ~ 250	Light blue
S5	Silicone rubber	55		Translucent white

Applicable Rubber Material Table

Material	Color	Symbol	Round type			
			20	30	40	50
Silicone rubber Hardness 40	Light blue	S4	●	●	●	●
Silicone rubber Hardness 55	Translucent white	S5	●	●	●	●

● : In stock ○ : Made to order × : None
 ※ Please consult with us for other material.

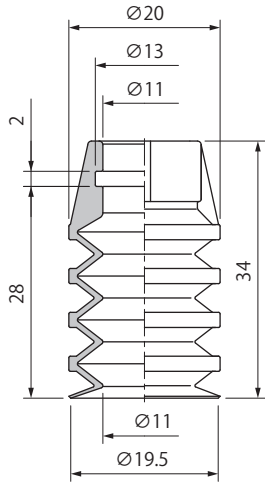
02
Suction Cup

- PA
- PB
- PC
- PCD
- PD
- PF
- PFO
- PH
- PJ
- CORE
- PK2
- PK2B
- PK2L
- PL**
- PN
- PN-B
- PP
- PQ
- PR
- PU
- PW
- RA
- SM
- TN

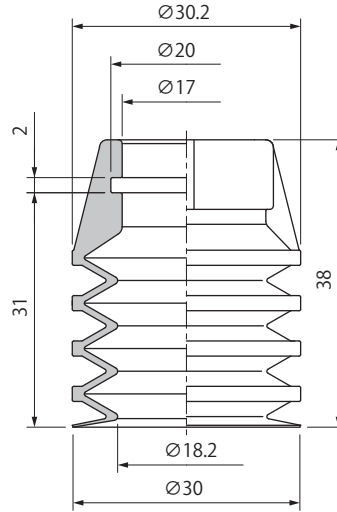
Dimensions

(mm)

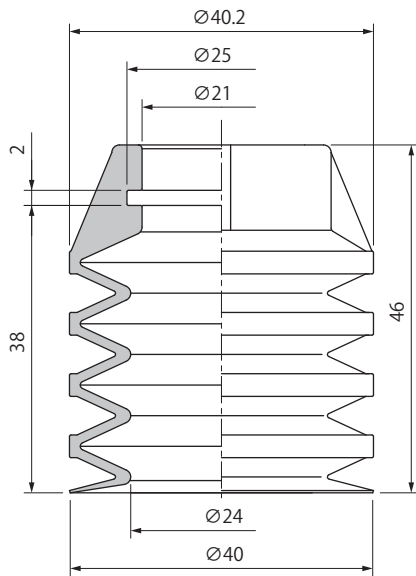
PLG-20



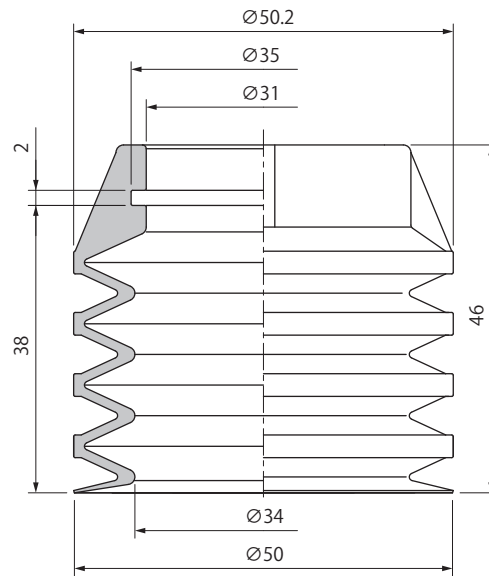
PLG-30



PLG-40



PLG-50



Weight

(g)

Model \ Material	S4	S5
PLG-20	2.7	2.9
PLG-30	6.4	6.9
PLG-40	14.8	15.7
PLG-50	19.7	20.8

PL Cup with Fixed Fitting

How to Order



PL - 20 - G1 - S4 - F

① Cup Size (mm) ② Screw Size ③ Cup Rubber Material ④ Filter

Symbol	Cup size
20	φ20
30	φ30
40	φ40
50	φ50

Symbol	Size · Applicable cup size
G1	G1/8 · All size
G2	G1/4 · φ30~50
G3	G3/8 · φ30~50

Symbol	Material
S4	Silicone rubber Hardness 40
S5	Silicone rubber Hardness 55

※Please consult with us for other material.

F	With
Blank	N/A

Combination Table

Model number	Cup	Fitting	Fitting weight (g)
PL-20-G1-□ (-F)	PLG-20-□	PL-20-G1-K (-F)	5.4
PL-30-G1-□ (-F)	PLG-30-□	PL-30-G1-K (-F)	14.2
PL-30-G2-□ (-F)		PL-30-G2-K (-F)	14.6
PL-30-G3-□ (-F)		PL-30-G3-K (-F)	15.4
PL-40-G1-□ (-F)	PLG-40-□	PL-40-G1-K (-F)	20.0
PL-40-G2-□ (-F)		PL-40-G2-K (-F)	20.4
PL-40-G3-□ (-F)		PL-40-G3-K (-F)	21.2
PL-50-G1-□ (-F)	PLG-50-□	PL-50-G1-K (-F)	27.5
PL-50-G2-□ (-F)		PL-50-G2-K (-F)	27.9
PL-50-G3-□ (-F)		PL-50-G3-K (-F)	28.7

※□ in the table indicates the cup material.
 ※ Weight indicates the value of cup without filter.
 ※ The weight of filter is 0.1g.

Fitting Specifications

Cup Size	φ20	φ30	φ40	φ50
Screw Size	G1/8	G1/8, G1/4, G3/8		
Material	Aluminum			
Filter	SUS (MESH60) ^{Note1}			
Packing	NBR			

Note1) When selecting with filter.

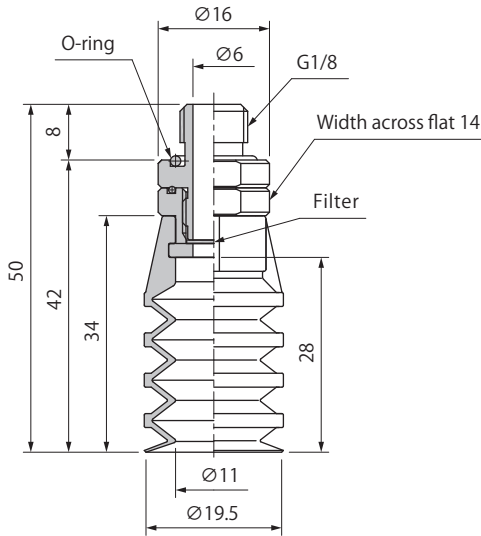


Simple constitution of the cup and the fitting

Dimensions

(mm)

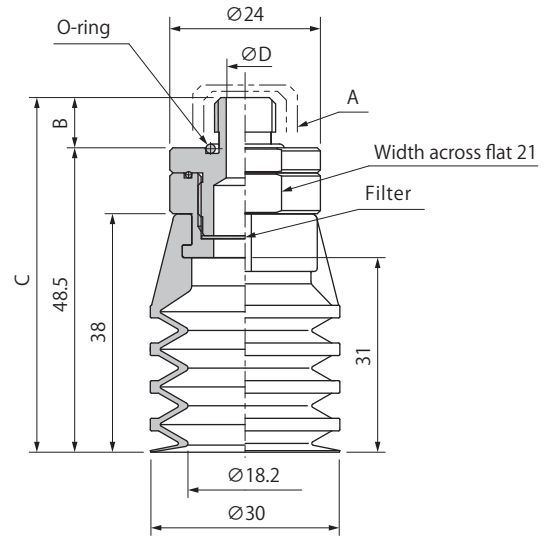
PL-20



Model number
PL-20-G1- □ (-F)

※□ in the table indicates the cup material.

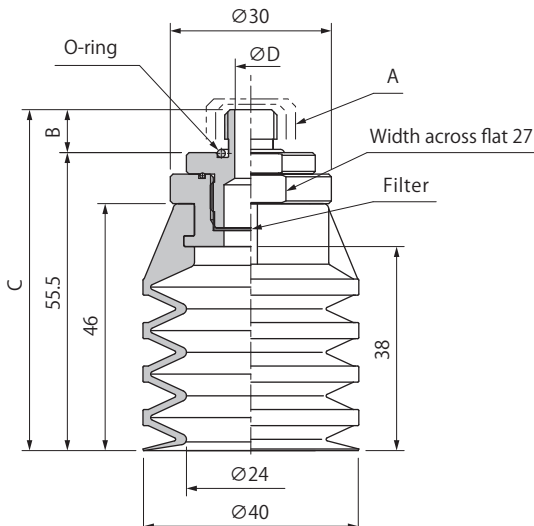
PL-30



Model number	A	B	C	D
PL-30-G1- □ (-F)	G1/8	8	56.5	6
PL-30-G2- □ (-F)	G1/4	9	57.5	8
PL-30-G3- □ (-F)	G3/8	10	58.5	10

※□ in the table indicates the cup material.

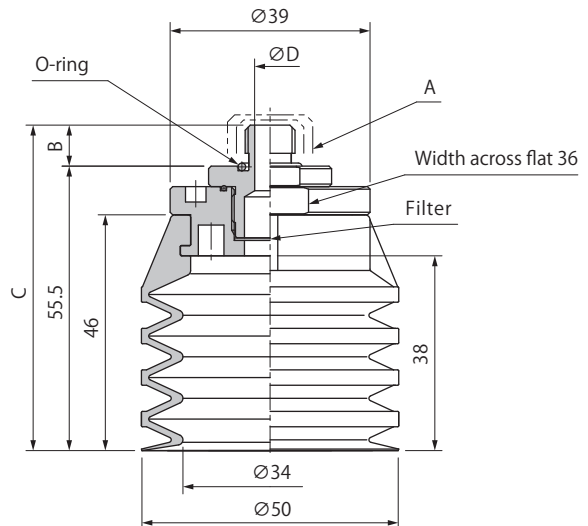
PL-40



Model number	A	B	C	D
PL-40-G1- □ (-F)	G1/8	8	63.5	6
PL-40-G2- □ (-F)	G1/4	9	64.5	8
PL-40-G3- □ (-F)	G3/8	10	65.5	10

※□ in the table indicates the cup material.

PL-50



Model number	A	B	C	D
PL-50-G1- □ (-F)	G1/8	8	63.5	6
PL-50-G2- □ (-F)	G1/4	9	64.5	8
PL-50-G3- □ (-F)	G3/8	10	65.5	10

※□ in the table indicates the cup material.