

Cup with Thin Lip



The cup with thin lip
For workpieces with smooth and pliable surfaces like paper or vinyl sheets!

The cup for Pouch film new appearance! PNG-132($\phi 15$), 133($\phi 25$), 134($\phi 35$)



With special lip structure.
More suitable for handling vinyl, film, etc. !



Bag of soup



Thin workpieces

Wide range of cup sizes.

- $\phi 15$
- $\phi 17$
- $\phi 17.6$
- $\phi 18$
- $\phi 20$
- $\phi 23$
- $\phi 24$
- $\phi 24.8$
- $\phi 25$
- $\phi 27$
- $\phi 31$
- $\phi 34$
- $\phi 35$
- $\phi 40$
- $\phi 49$

Various fittings for many kinds of applications.



Fixed fitting




Spring fitting

Suction Cup Cup with Thin Lip

02 Suction Cup

- PA
- PB
- PC
- PCD
- PD
- PF
- PFO
- PH
- PJ
- CORE
- PK2
- PK2B
- PK2L
- PL
- PN**
- PN-B
- PP
- PQ
- PR
- PU
- PW
- RA
- SM
- TN

Suction Cup

 <p>PNG</p>	<p>Cup size (mm) φ15 ~ 49</p>		<p>P.397</p>
--	-----------------------------------	--	--------------

Fitting

Type	Applicable cup size (mm)	Stroke (mm)	Vacuum port	Piping · Connector	Page
<p>Cup with fixed fitting PNTK</p> 	φ 15 ~ 35	N/A	Top	Barb	P.403
	φ 40, 49			Female screw	
<p>Cup with fixed fitting PNYK</p> 	φ 15 ~ 35	N/A	Side	Barb	P.403
	φ 40, 49			Female screw	
<p>Cup with spring fitting NAPNTS</p> 	φ 15 ~ 25	3, 10, 15	Top	Female screw Push-in Barb	P.411
	φ 23 ~ 35	6, 15, 30			
	φ 40, 49	10, 30, 50			
<p>Cup with spring fitting NAPNYS</p> 	φ 15 ~ 25	3, 10, 15	Side	Female screw Push-in Barb	P.411
	φ 23 ~ 35	6, 15, 30			
	φ 40, 49	10, 30, 50			
<p>Cup with non-rotation spring fitting NAPNTH</p> 	φ 15 ~ 25	3, 10, 15	Top	Female screw Push-in Barb	P.419
	φ 23 ~ 35	6, 15, 30			
<p>Cup with non-rotation spring fitting NAPNYH</p> 	φ 15 ~ 25	3, 10, 15	Side	Female screw Push-in Barb	P.419
	φ 23 ~ 35	6, 15, 30			
<p>Setting screw</p> 	φ 15 ~ 49	-	-	-	P.503

PNG Cup with Thin Lip

Suction Cup Cup with Thin Lip

How to Order

PNG - 101 - N



① Cup Size (mm)

Symbol	Cup size	Symbol	Cup size
101	φ31	116	φ18
102	φ25	117	φ17.6
103	φ25	121	φ31
104	φ24.8	122	φ34
106	φ25	123	φ15
107	φ49	125	φ24
108	φ40	130A	φ20
109	φ17	130B	φ20
110	φ23	131	φ25
111	φ25	132	φ15
112	φ27	133	φ25
114	φ17	134	φ35

② Cup Rubber Material

Symbol	Material	Applicable cup size
N	NBR(Nitrile rubber)	101/116/122/130A/130B/131/132/133/134 ^{Note1}
S	Silicone rubber hardness 55	101/114/116/117/121/130A/130B/131/132/133/134
SI30	Silicone rubber hardness 30	107/123/131/132/133/134
U	Urethane rubber	104/110/116/125/130B
F	Fluorine rubber	130B
NR	Natural rubber	101/102/103/104/106/107/108/109/110/111/112/114/123

Note1) The hardness of 131/132/133/134 is 40, and another type is 55.
 ※Please consult with us for other material.

Cup Rubber Material Standard Specifications

Symbol	Material	Hardness (A/s)	Ambient temperature (°C)	Color
N	NBR(Nitrile rubber)	55/40 ^{Note1}	-26 ~ 120	Black
S	Silicone rubber	55	-60 ~ 250	Translucent white
SI30	Silicone rubber	30	-60 ~ 250	Translucent white
U	Urethane rubber	55	-20 ~ 75	Blue
F	Fluorine rubber	70	-10 ~ 230	Black with white dot
NR	Natural rubber	40	-60 ~ 80	Light brown

Note1) The hardness of 131/132/133/134 is 40.

Applicable Rubber Material Table

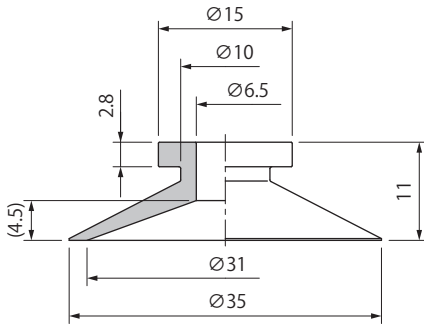
Material	Color	Symbol	Round type																						
			101	102	103	104	106	107	108	109	110	111	112	114	116	117	121	122	123	125	130A	130B	131	132	133
NBR (Nitrile rubber hardness 55)	Black	N	●	x	x	x	x	x	x	x	x	x	x	●	x	x	●	x	x	●	●	x	x	x	x
NBR (Nitrile rubber hardness 40)	Black	N	x	x	x	x	x	x	x	x	x	x	x	x	x	x	x	x	x	x	●	●	●	●	●
Silicone rubber (hardness 55)	Translucent white	S	●	x	x	x	x	x	x	x	x	x	●	●	●	●	x	x	x	●	●	●	●	●	●
Silicone rubber (hardness 30)	Translucent white	SI30	x	x	x	x	x	●	x	x	x	x	x	x	x	x	●	x	x	x	●	●	●	●	●
Urethane rubber	Blue	U	x	x	x	●	x	x	x	●	x	x	●	x	x	x	x	●	x	●	x	x	x	x	x
Fluorine rubber	Black with white dot	F	x	x	x	x	x	x	x	x	x	x	x	x	x	x	x	x	x	●	x	x	x	x	x
Natural rubber	Light brown	NR	●	●	●	●	●	●	●	●	●	●	●	x	x	x	x	●	x	x	x	x	x	x	x

● : In stock ○ Made to order x : None
 ※Please consult with us for other material.

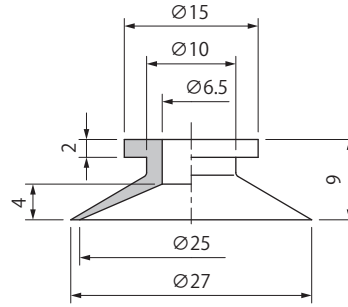
Dimensions

(mm)

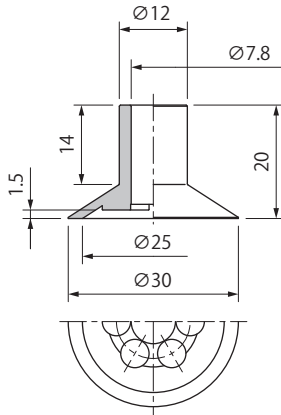
PNG-101



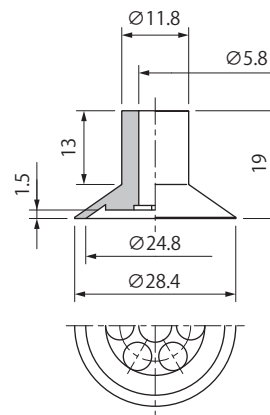
PNG-102



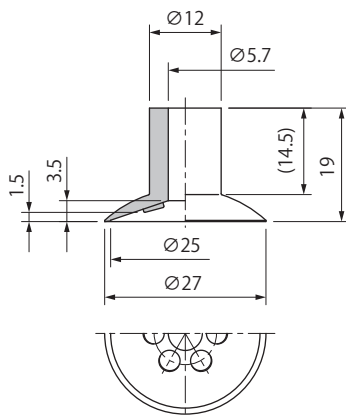
PNG-103



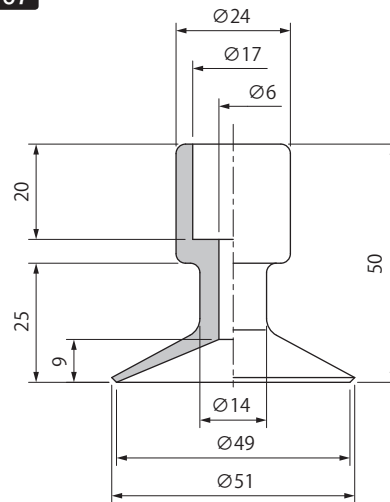
PNG-104



PNG-106



PNG-107



Weight

(g)

Model \ Material	N	S	SI30	U	F	NR	Applicable setting screw (Screw specifications)	Symbol	Material
PNG-101	2.3	2.3	-	-	-	2.3	TN-PN-101-M6 (Male M6X1.0)	N	NBR(Nitrile rubber)
PNG-102	-	-	-	-	-	1.1	TN-PN-102-M6 (Male M6X1.0)	S	Silicone rubber
PNG-103	-	-	-	-	-	2.7	TN-PN-103-M6 (Male M6X1.0)	SI30	Silicone rubber
PNG-104	-	-	-	2.6	-	2.4	TN-PN-104-M6 (Male M6X1.0)	U	Urethane rubber
PNG-106	-	-	-	-	-	2.4	TN-PN-104-M6 (Male M6X1.0)	F	Fluorine rubber
PNG-107	-	-	15.5	-	-	15.5	TN-PN-107-M10 (Male M10X1.25)	NR	Natural rubber

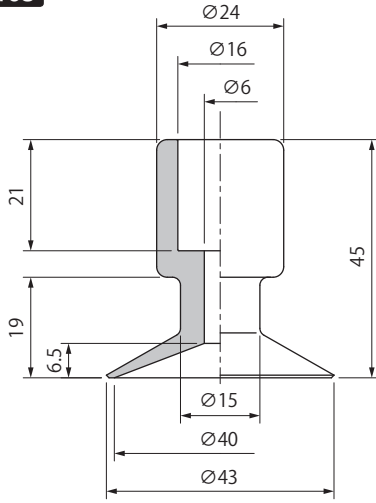
※Please refer to P.503 for setting screw detailed specifications.

PNG Cup with Thin Lip

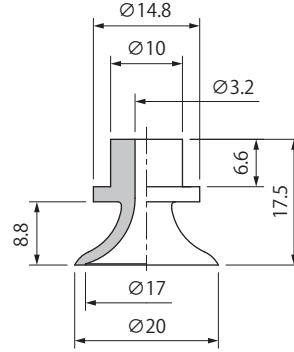
Dimensions

(mm)

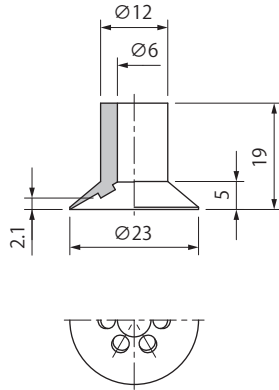
PNG-108



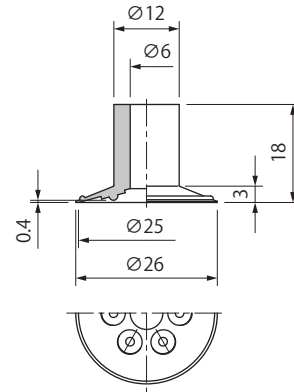
PNG-109



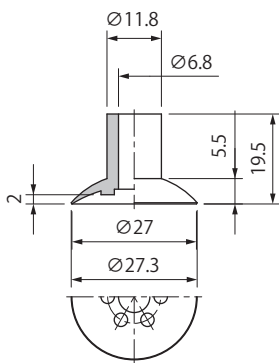
PNG-110



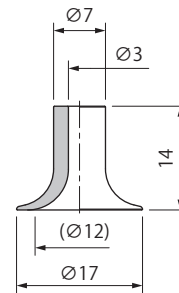
PNG-111



PNG-112



PNG-114



Weight

(g)

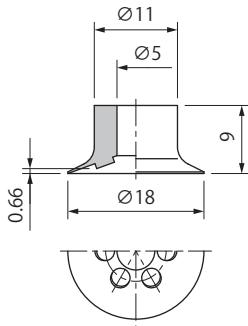
Model \ Material	N	S	SI30	U	F	NR	Applicable setting screw (Screw specifications)	Symbol	Material
PNG-108	-	-	-	-	-	14.0	TN-PN-108-M10 (Female M10X1.25)	N	NBR(Nitrile rubber)
PNG-109	-	-	-	-	-	1.4	TN-PN-109-M5 (Male M5X0.8)	S	Silicone rubber
PNG-110	-	-	-	2.1	-	2.0	TN-PN-104-M6 (Male M6X1.0)	SI30	Silicone rubber
PNG-111	-	-	-	-	-	1.8		U	Urethane rubber
PNG-112	-	-	-	-	-	2.2	TN-PN-112-M6 (Male M6X1.0)	F	Fluorine rubber
PNG-114	-	0.7	-	-	-	0.7	TN-PN-114-M5 (Male M5X0.8)	NR	Natural rubber

※Please refer to P.503 for setting screw detailed specifications.

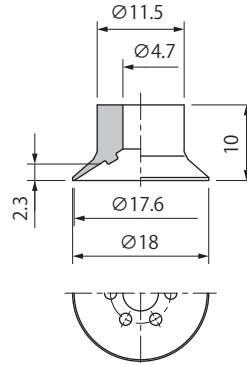
Dimensions

(mm)

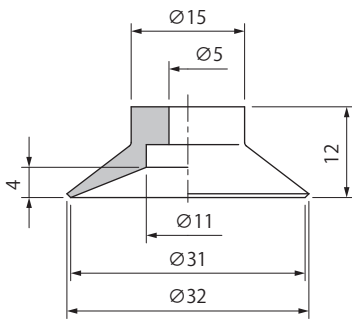
PNG-116



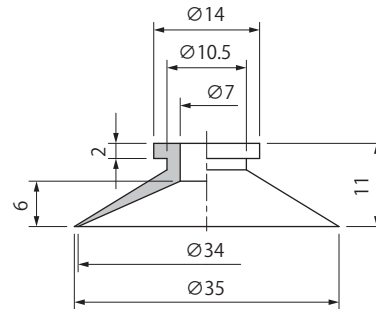
PNG-117



PNG-121



PNG-122



Weight

(g)

Model \ Material	N	S	SI30	U	F	NR	Applicable setting screw (Screw specifications)
PNG-116	0.8	0.8	-	0.8	-	-	TN-PN-116-M5 (Male M5X0.8)
PNG-117	-	0.9	-	-	-	-	
PNG-121	-	2.9	-	-	-	-	TN-PF-20-M5 (Male M5X0.8)
PNG-122	1.4	-	-	-	-	-	TN-PN-122-M6 (Male M6X1.0)

※Please refer to P.503 for setting screw detailed specifications.

Symbol	Material
N	NBR(Nitrile rubber)
S	Silicone rubber
SI30	Silicone rubber
U	Urethane rubber
F	Fluorine rubber
NR	Natural rubber

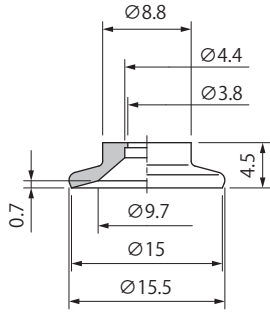
PNG Cup with Thin Lip

Suction Cup
Cup with Thin Lip

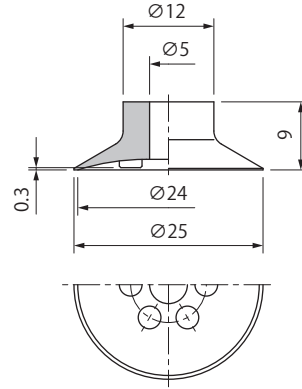
Dimensions

(mm)

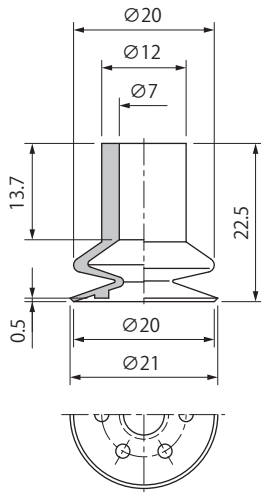
PNG-123



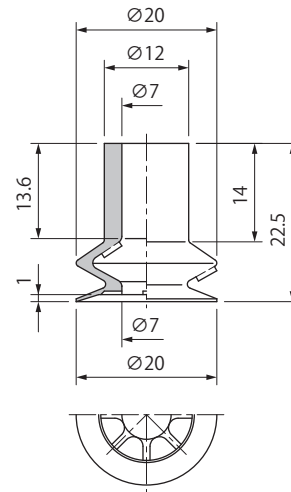
PNG-125



PNG-130A



PNG-130B



02
Suction Cup

- PA
- PB
- PC
- PCD
- PD
- PF
- PFO
- PH
- PJ
- CORE
- PK2
- PK2B
- PK2L
- PL
- PN**
- PN-B
- PP
- PQ
- PR
- PU
- PW
- RA
- SM
- TN

Weight

(g)

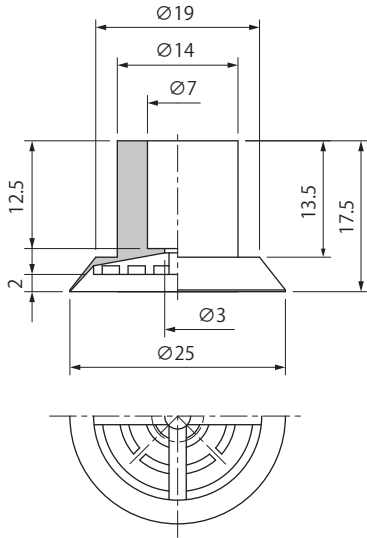
Model \ Material	N	S	SI30	U	F	NR	Applicable setting screw (Screw specifications)	Symbol	Material
PNG-123	-	-	0.4	-	-	0.4	TN-PN-123-M5 (Male M5X0.8)	N	NBR(Nitrile rubber)
PNG-125	-	-	-	1.6	-	-	TN-PN-116-M5 (Male M5X0.8)	S	Silicone rubber
PNG-130A	2.3	2.3	-	-	-	-	TN-PN-130-M5 (Male M5X0.8)	SI30	Silicone rubber
PNG-130B	2.2	2.2	-	2.4	3.6	-		U	Urethane rubber
								F	Fluorine rubber
								NR	Natural rubber

※Please refer to P.503 for setting screw detailed specifications.

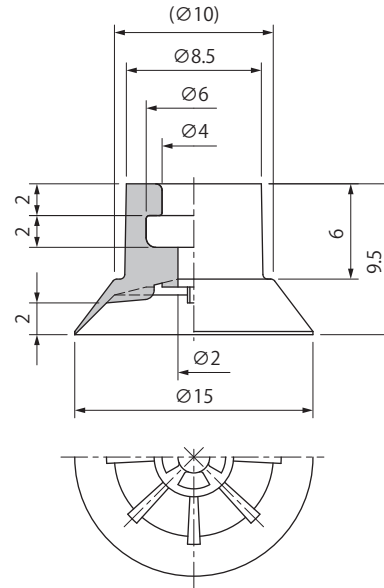
Dimensions

(mm)

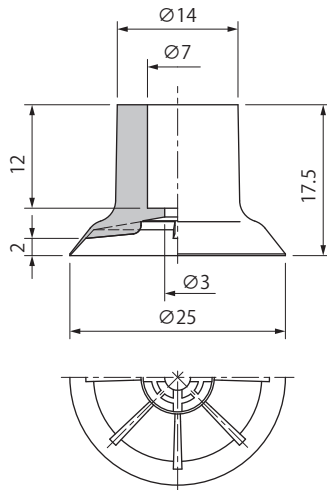
PNG-131



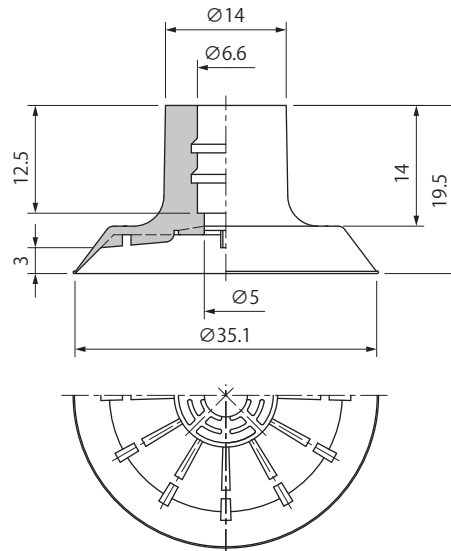
PNG-132



PNG-133



PNG-134



Weight

(g)

Model \ Material	N	S	SI30	U	F	NR	Applicable setting screw (Screw specifications)
PNG-131	2.4	2.4	2.2	-	-	-	TN-PN-130-M5 (Male M5X0.8)
PNG-132	0.5	0.5	0.4	-	-	-	TN-PS-10-M5 (Male M5X0.8) TN-PS-10-M5F (Female M5X0.8)
PNG-133	2.4	2.4	2.2	-	-	-	TN-PN-130-M5 (Male M5X0.8)
PNG-134	3.3	3.3	3.0	-	-	-	

Symbol	Material
N	NBR(Nitrile rubber)
S	Silicone rubber
SI30	Silicone rubber
U	Urethane rubber
F	Fluorine rubber
NR	Natural rubber

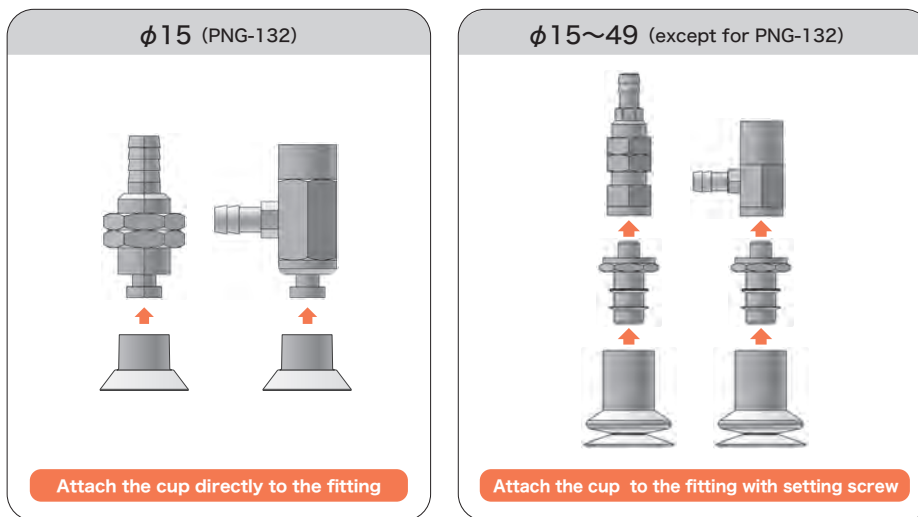
※Please refer to P.503 for setting screw detailed specifications.

PNTK·YK Cup with Fixed Fitting

Suction Cup
Cup with Thin Lip



Consisting of fitting, setting screw, suction cup.



Attach the cup directly to the fitting

Attach the cup to the fitting with setting screw

How to Order

PN **T** K - **101** - **N**

①

②

③

① Vacuum Port

T	Top
Y	Side

① Cup Size (mm)

Symbol	Cup size	Symbol	Cup size
101	φ31	116	φ18
102	φ25	117	φ17.6
103	φ25	121	φ31
104	φ24.8	122	φ34
106	φ25	123	φ15
107	φ49	125	φ24
108	φ40	130A	φ20
109	φ17	130B	φ20
110	φ23	131	φ25
111	φ25	132	φ15
112	φ27	133	φ25
114	φ17	134	φ35

③ Cup Rubber Material

Symbol	Material	Applicable cup size
N	NBR(Nitrile rubber)	101/116/122/130A/130B/131/132/133/134 ^{※1}
S	Silicone rubber hardness 55	101/114/116/117/121/130A/130B/131/132/133/134
SI30	Silicone rubber hardness 30	107/123/131/132/133/134
U	Urethane rubber	104/110/116/125/130B
F	Fluorine rubber	130B
NR	Natural rubber	101/102/103/104/106/107/108/109/110/111/112/114/123

Note1) The hardness of 131/132/133/134 is 40, and another type is 55.
※Please consult with us for other material.

Combination Table

Top Port

Model number	Cup	Setting screw	Fitting	Piping specifications	
PNTK-101- <input type="checkbox"/>	PNG-101- <input type="checkbox"/>	TN-PN-101-M6	PFTK-25-K	Barb	φ6X4
PNTK-102- <input type="checkbox"/>	PNG-102- <input type="checkbox"/>	TN-PN-102-M6			
PNTK-103- <input type="checkbox"/>	PNG-103- <input type="checkbox"/>	TN-PN-103-M6			
PNTK-104- <input type="checkbox"/>	PNG-104- <input type="checkbox"/>	TN-PN-104-M6			
PNTK-106- <input type="checkbox"/>	PNG-106- <input type="checkbox"/>	TN-PN-107-M10	PFTK-60-K	Rc1/8 (Female)	
PNTK-107- <input type="checkbox"/>	PNG-107- <input type="checkbox"/>				
PNTK-108- <input type="checkbox"/>	PNG-108- <input type="checkbox"/>	TN-PN-108-M10	PFTK-15-K	Barb	φ6X4
PNTK-109- <input type="checkbox"/>	PNG-109- <input type="checkbox"/>	TN-PN-109-M5			
PNTK-110- <input type="checkbox"/>	PNG-110- <input type="checkbox"/>	TN-PN-104-M6			
PNTK-111- <input type="checkbox"/>	PNG-111- <input type="checkbox"/>	TN-PN-112-M6			
PNTK-112- <input type="checkbox"/>	PNG-112- <input type="checkbox"/>	TN-PN-112-M6			
PNTK-114- <input type="checkbox"/>	PNG-114- <input type="checkbox"/>	TN-PN-114-M5			
PNTK-116- <input type="checkbox"/>	PNG-116- <input type="checkbox"/>	TN-PN-116-M5			
PNTK-117- <input type="checkbox"/>	PNG-117- <input type="checkbox"/>	TN-PN-116-M5			
PNTK-121- <input type="checkbox"/>	PNG-121- <input type="checkbox"/>	TN-PF-20-M5			
PNTK-122- <input type="checkbox"/>	PNG-122- <input type="checkbox"/>	TN-PN-122-M6			
PNTK-123- <input type="checkbox"/>	PNG-123- <input type="checkbox"/>	TN-PN-123-M5	PFTK-15-K	Barb	φ6X4
PNTK-125- <input type="checkbox"/>	PNG-125- <input type="checkbox"/>	TN-PN-116-M5			
PNTK-130A- <input type="checkbox"/>	PNG-130A- <input type="checkbox"/>	TN-PN-130-M5	PFTK-15-K	Barb	φ6X4
PNTK-130B- <input type="checkbox"/>	PNG-130B- <input type="checkbox"/>				
PNTK-131- <input type="checkbox"/>	PNG-131- <input type="checkbox"/>				
PNTK-132- <input type="checkbox"/>	PNG-132- <input type="checkbox"/>	Attach the cup directly to the fitting	PFTK-5A-K	Barb	φ6X4
PNTK-133- <input type="checkbox"/>	PNG-133- <input type="checkbox"/>	TN-PN-130-M5	PFTK-15-K		
PNTK-134- <input type="checkbox"/>	PNG-134- <input type="checkbox"/>	TN-PN-130-M5	PFTK-15-K		

※ in the table indicates the cup material.

Side Port

Model number	Cup	Setting screw	Fitting	Piping specifications	
PNYK-101- <input type="checkbox"/>	PNG-101- <input type="checkbox"/>	TN-PN-101-M6	PFYK-25-K	Barb	φ6X4
PNYK-102- <input type="checkbox"/>	PNG-102- <input type="checkbox"/>	TN-PN-102-M6			
PNYK-103- <input type="checkbox"/>	PNG-103- <input type="checkbox"/>	TN-PN-103-M6			
PNYK-104- <input type="checkbox"/>	PNG-104- <input type="checkbox"/>	TN-PN-104-M6			
PNYK-106- <input type="checkbox"/>	PNG-106- <input type="checkbox"/>	TN-PN-107-M10	PFYK-60-K	Rc1/8 (Female)	
PNYK-107- <input type="checkbox"/>	PNG-107- <input type="checkbox"/>				
PNYK-108- <input type="checkbox"/>	PNG-108- <input type="checkbox"/>	TN-PN-108-M10	PFYK-15-K	Barb	φ6X4
PNYK-109- <input type="checkbox"/>	PNG-109- <input type="checkbox"/>	TN-PN-109-M5			
PNYK-110- <input type="checkbox"/>	PNG-110- <input type="checkbox"/>	TN-PN-104-M6			
PNYK-111- <input type="checkbox"/>	PNG-111- <input type="checkbox"/>	TN-PN-112-M6			
PNYK-112- <input type="checkbox"/>	PNG-112- <input type="checkbox"/>	TN-PN-112-M6			
PNYK-114- <input type="checkbox"/>	PNG-114- <input type="checkbox"/>	TN-PN-114-M5			
PNYK-116- <input type="checkbox"/>	PNG-116- <input type="checkbox"/>	TN-PN-116-M5			
PNYK-117- <input type="checkbox"/>	PNG-117- <input type="checkbox"/>	TN-PN-116-M5			
PNYK-121- <input type="checkbox"/>	PNG-121- <input type="checkbox"/>	TN-PF-20-M5			
PNYK-122- <input type="checkbox"/>	PNG-122- <input type="checkbox"/>	TN-PN-122-M6			
PNYK-123- <input type="checkbox"/>	PNG-123- <input type="checkbox"/>	TN-PN-123-M5	PFYK-15-K	Barb	φ6X4
PNYK-125- <input type="checkbox"/>	PNG-125- <input type="checkbox"/>	TN-PN-116-M5			
PNYK-130A- <input type="checkbox"/>	PNG-130A- <input type="checkbox"/>	TN-PN-130-M5	PFYK-15-K	Barb	φ6X4
PNYK-130B- <input type="checkbox"/>	PNG-130B- <input type="checkbox"/>				
PNYK-131- <input type="checkbox"/>	PNG-131- <input type="checkbox"/>				
PNYK-132- <input type="checkbox"/>	PNG-132- <input type="checkbox"/>	Attach the cup directly to the fitting	PFYK-5A-K	Barb	φ6X4
PNYK-133- <input type="checkbox"/>	PNG-133- <input type="checkbox"/>	TN-PN-130-M5	PFYK-15-K		
PNYK-134- <input type="checkbox"/>	PNG-134- <input type="checkbox"/>	TN-PN-130-M5	PFYK-15-K		

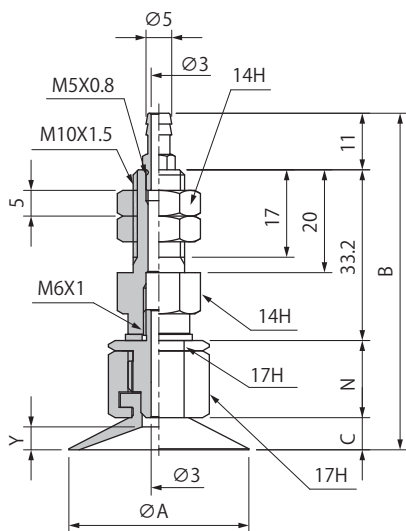
※ in the table indicates the cup material.

PNTK·YK Cup with Fixed Fitting

Dimensions

(mm)

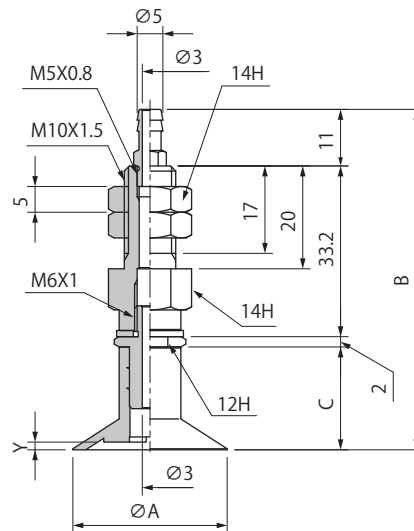
Top Port PNTK-101/102/122



Model number	A	B	C	N	Y	Weight (g)
PNTK-101-□	35	65.5	6.3	15	4.5	68
PNTK-102-□	27	63.2	5	14	4	67
PNTK-122-□	35	65.2	7.5	13.5	6	68

※□ in the table indicates the cup material.
 ※ The weight value of 101/122 is when NBR (Nitrile rubber) selected.
 ※ The weight value of 102 is when NR (Natural rubber) selected.

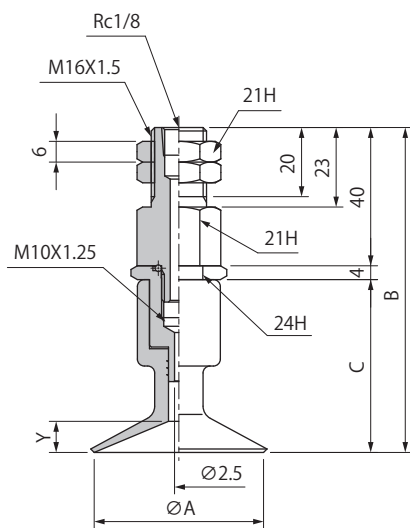
Top Port PNTK-103/104/106/110/111/112



Model number	A	B	C	Y	Weight (g)
PNTK-103-□	30	66.2	20	1.5	47
PNTK-104-□	28.4	65.2	19		
PNTK-106-□	27			39	
PNTK-110-□	23				
PNTK-111-□	26	64.2	18	0.4	39
PNTK-112-□	27	65.7	19.5	2	

※□ in the table indicates the cup material.
 ※ The weight value is when NR (Natural rubber) selected.

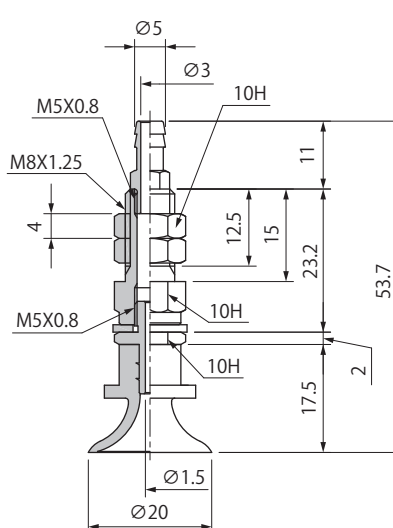
Top Port PNTK-107/108



Model number	A	B	C	Y	Weight (g)
PNTK-107-□	49	94	50	9	168
PNTK-108-□	40	89	45	6.5	166

※□ in the table indicates the cup material.
 ※ The weight value is when NR (Natural rubber) selected.

Top Port PNTK-109



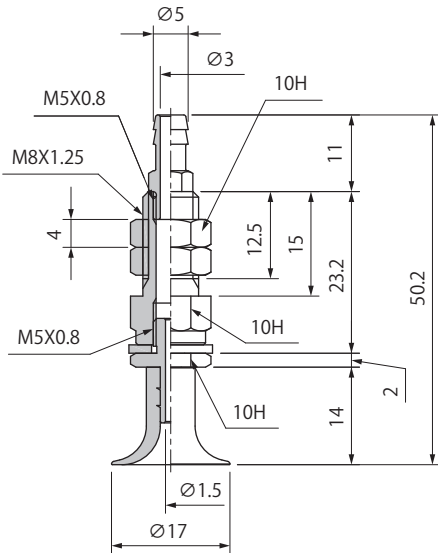
Model number	Weight (g)
PNTK-109-□	17

※□ in the table indicates the cup material.
 ※ The weight value is when NR (Natural rubber) selected.

Dimensions

(mm)

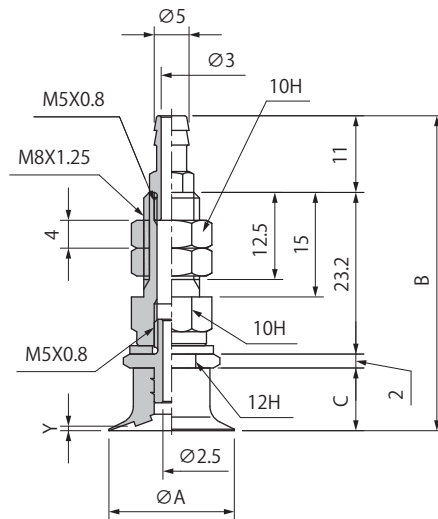
Top Port PNTK-114



Model number	Weight (g)
PNTK-114-□	17

※□ in the table indicates the cup material.
※ The weight value is when NR (Natural rubber) is selected.

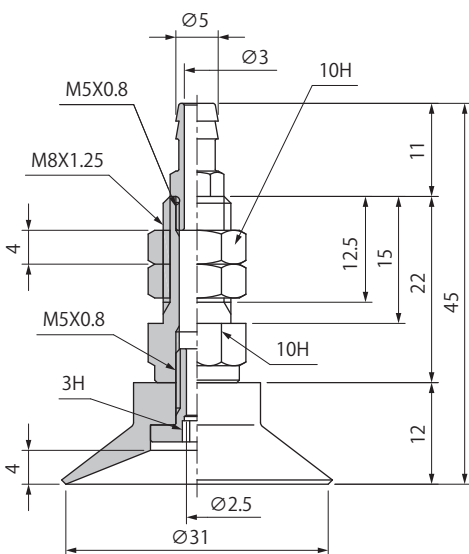
Top Port PNTK-116/117/125



Model number	A	B	C	Y	Weight (g)
PNTK-116-□	18	45.2	9	0.66	18
PNTK-117-□		46.2	10	2.3	
PNTK-125-□	25	45.2	9	0.3	

※□ in the table indicates the cup material.
※ The weight value of 116/117 is when S (Silicone rubber) is selected.
※ The weight value of 125 is when U (Urethane rubber) is selected.

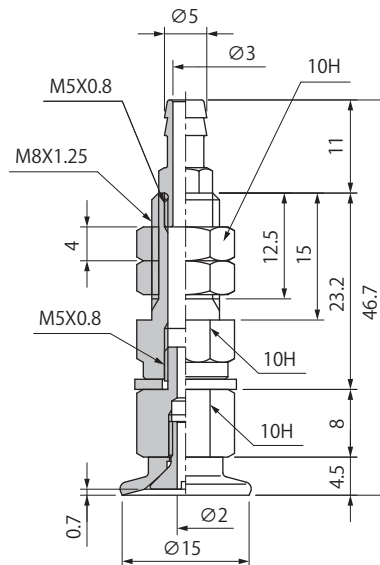
Top Port PNTK-121



Model number	Weight (g)
PNTK-121-□	18

※□ in the table indicates the cup material.
※ The weight value is when S (Silicone rubber) is selected.

Top Port PNTK-123



Model number	Weight (g)
PNTK-123-□	22

※□ in the table indicates the cup material.
※ The weight value is when NR (Natural rubber) is selected.

PNTK·YK Cup with Fixed Fitting

Suction Cup Cup with Thin Lip

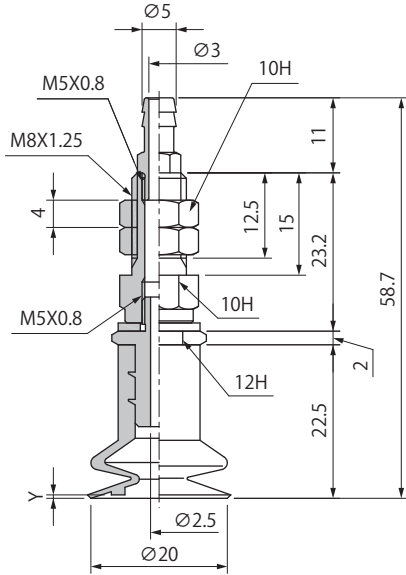
02
Suction Cup

- PA
- PB
- PC
- PCD
- PD
- PF
- PFO
- PH
- PJ
- CORE
- PK2
- PK2B
- PK2L
- PL
- PN**
- PN-B
- PP
- PQ
- PR
- PU
- PW
- RA
- SM
- TN

Dimensions

(mm)

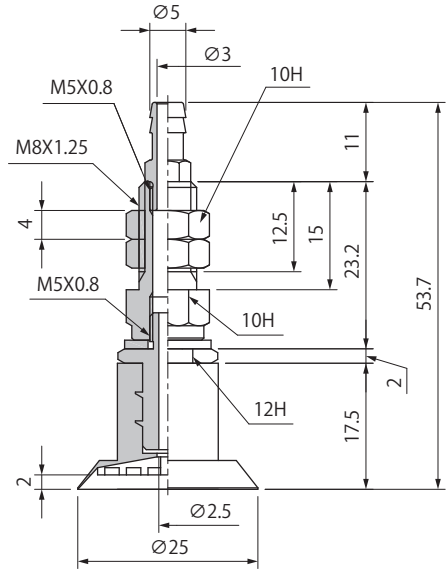
Top Port PNTK-130A/130B



Model number	Y	Weight (g)
PNTK-130A-□	0.5	22
PNTK-130B-□	1	21

※□ in the table indicates the cup material.
※ The weight value is when NBR (Nitrile rubber) selected.

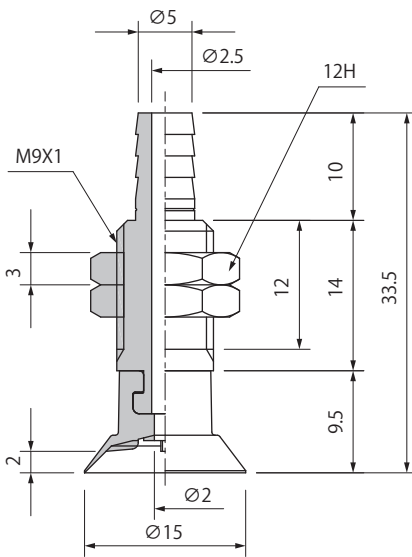
Top Port PNTK-131



Model number	Weight (g)
PNTK-131-□	22

※□ in the table indicates the cup material.
※ The weight value is when NBR (Nitrile rubber) selected.

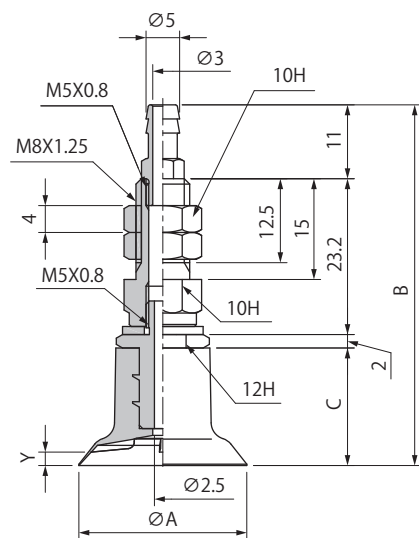
Top Port PNTK-132



Model number	Weight (g)
PNTK-132-□	12.3

※□ in the table indicates the cup material.
※ The weight value is when NBR (Nitrile rubber) selected.

Top Port PNTK-133/134



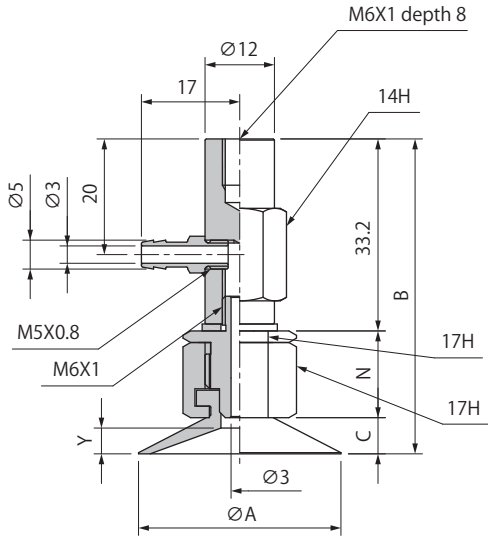
Model number	A	B	C	Y	Weight (g)
PNTK-133-□	25	53.7	17.5	2	22
PNTK-134-□	35	55.7	19.5	3	22.9

※□ in the table indicates the cup material.
※ The weight value is when NBR (Nitrile rubber) selected.

Dimensions

(mm)

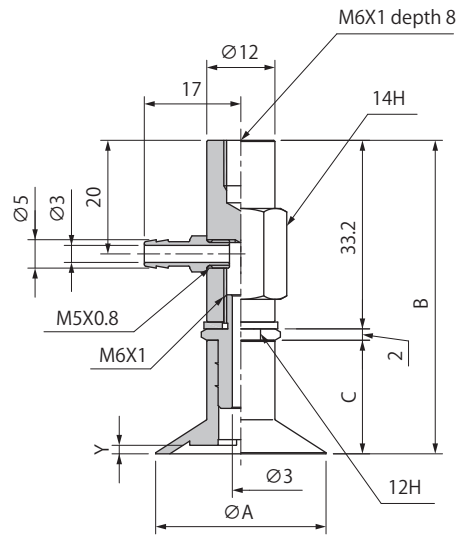
Side Port PNYK-101/102/122



Model number	A	B	C	N	Y	Weight (g)
PNYK-101-□	35	54.5	6.3	15	4.5	72
PNYK-102-□	27	52.2	5	14	4	71
PNYK-122-□	35	54.2	7.5	13.5	6	72

※□ in the table indicates the cup material.
 ※ The weight value of 101/122 is when NBR (Nitrile rubber) selected.
 ※ The weight value of 102 is when NR (Natural rubber) selected.

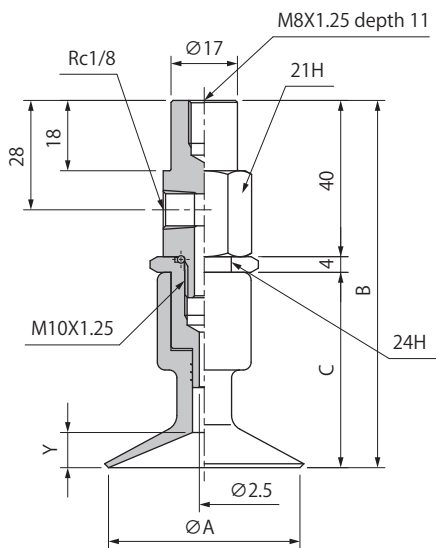
Side Port PNYK-103/104/106/110/111/112



Model number	A	B	C	Y	Weight (g)
PNYK-103-□	30	55.2	20	1.5	51
PNYK-104-□	28.4	54.2	19		
PNYK-106-□	27			43	18
PNYK-110-□	23	2.1			
PNYK-111-□	26				
PNYK-112-□	27	54.7	19.5	2	

※□ in the table indicates the cup material.
 ※ The weight value is when NR (Natural rubber) selected.

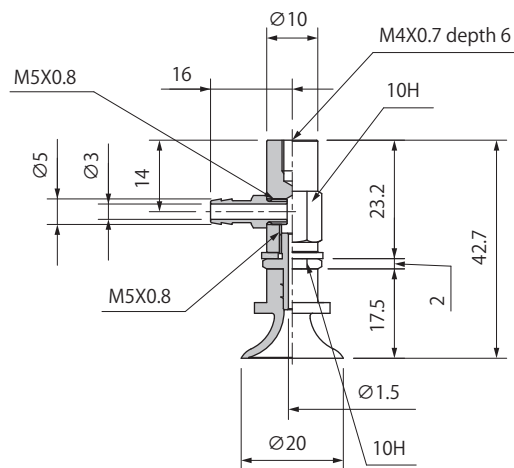
Side Port PNYK-107/108



Model number	A	B	C	Y	Weight (g)
PNYK-107-□	49	94	50	9	164
PNYK-108-□	40	89	45	6.5	162

※□ in the table indicates the cup material.
 ※ The weight value is when NR (Natural rubber) selected.

Side Port PNYK-109



Model number	Weight (g)
PNYK-109-□	20

※□ in the table indicates the cup material.
 ※ The weight value is when NR (Natural rubber) selected.

02
Suction Cup

PA

PB

PC

PCD

PD

PF

PFO

PH

PJ

CORE

PK2

PK2B

PK2L

PL

PN

PN-B

PP

PQ

PR

PU

PW

RA

SM

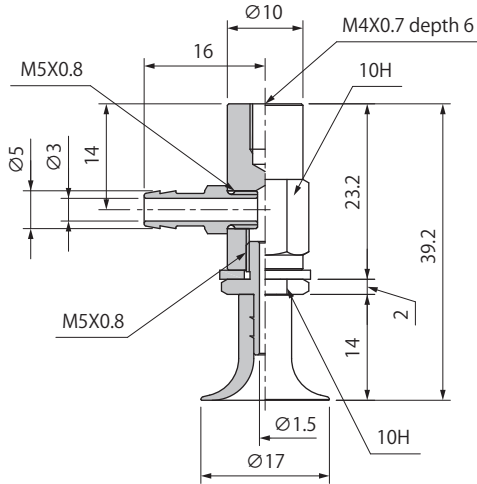
TN

PNTK·YK Cup with Fixed Fitting

Dimensions

(mm)

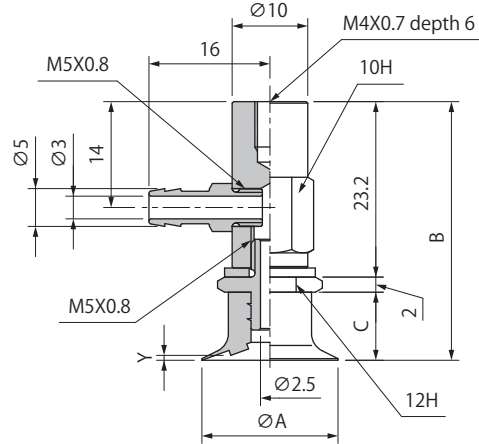
Side Port PNYK-114



Model number	Weight (g)
PNYK-114-□	20

※□ in the table indicates the cup material.
 ※ The weight value is when NR (Natural rubber) selected.

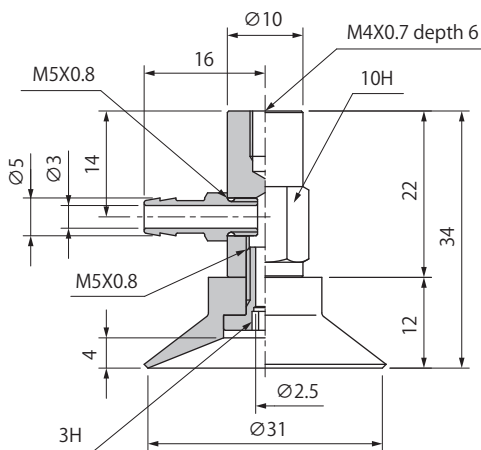
Side Port PNYK-116/117/125



Model number	A	B	C	Y	Weight (g)
PNYK-116-□	18	34.2	9	0.66	21
PNYK-117-□		35.2	10	2.3	
PNYK-125-□	25	34.2	9	0.3	

※□ in the table indicates the cup material.
 ※ The weight value of 116/117 is when S (Silicone rubber) selected.
 ※ The weight value of 125 is when U (Urethane rubber) selected.

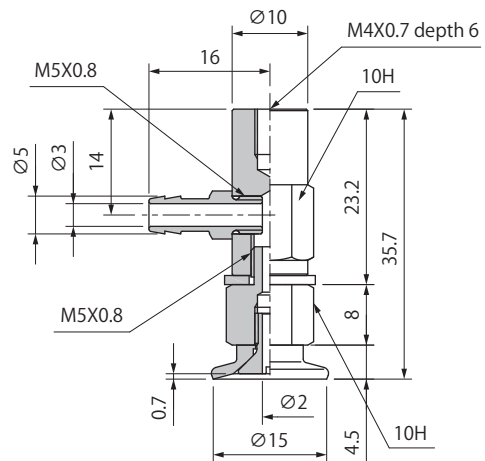
Side Port PNYK-121



Model number	Weight (g)
PNYK-121-□	21

※□ in the table indicates the cup material.
 ※ The weight value is when S (Silicone rubber) selected.

Side Port PNYK-123



Model number	Weight (g)
PNYK-123-□	25

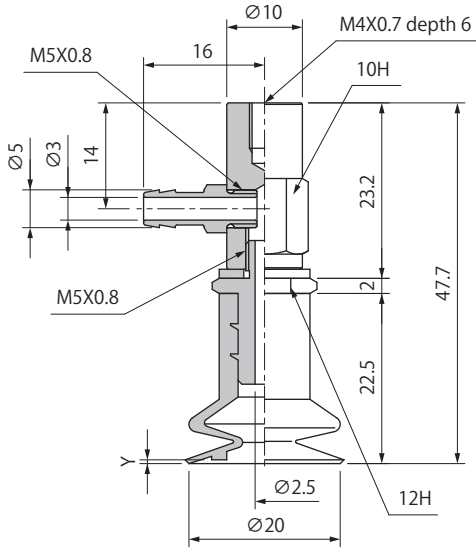
※□ in the table indicates the cup material.
 ※ The weight value is when NR (Natural rubber) selected.

- PA
- PB
- PC
- PCD
- PD
- PF
- PFO
- PH
- PJ
- CORE
- PK2
- PK2B
- PK2L
- PL
- PN**
- PN-B
- PP
- PQ
- PR
- PU
- PW
- RA
- SM
- TN

Dimensions

(mm)

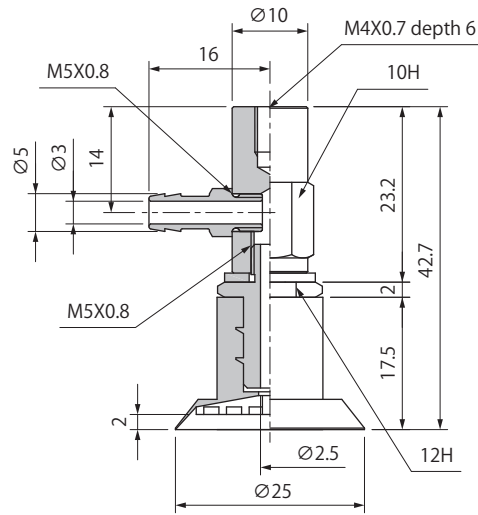
Side Port PNYK-130A/130B



Model number	Y	Weight (g)
PNYK-130A-□	0.5	25
PNYK-130B-□	1	24

※□ in the table indicates the cup material.
※ The weight value is when NBR (Nitrile rubber) selected.

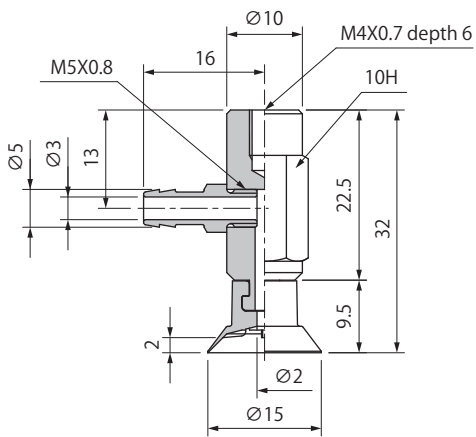
Side Port PNYK-131



Model number	Weight (g)
PNYK-131-□	25

※□ in the table indicates the cup material.
※ The weight value is when NBR (Nitrile rubber) selected.

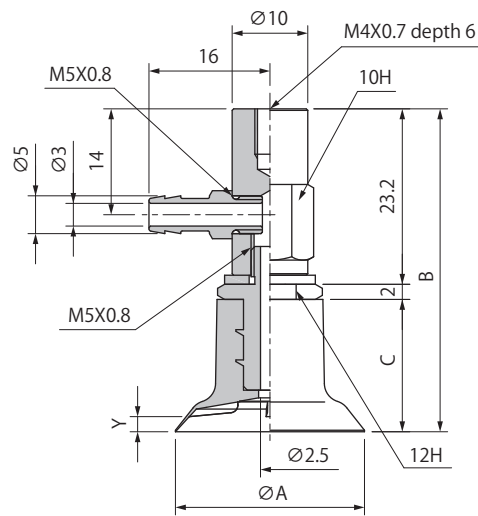
Side Port PNYK-132



Model number	Weight (g)
PNYK-132-□	17.3

※□ in the table indicates the cup material.
※ The weight value is when NBR (Nitrile rubber) selected.

Side Port PNYK-133/134



Model number	A	B	C	Y	Weight (g)
PNYK-133-□	25	42.7	17.5	2	22
PNYK-134-□	35	44.7	19.5	3	22.9

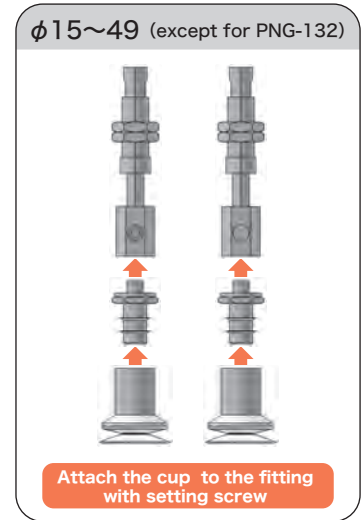
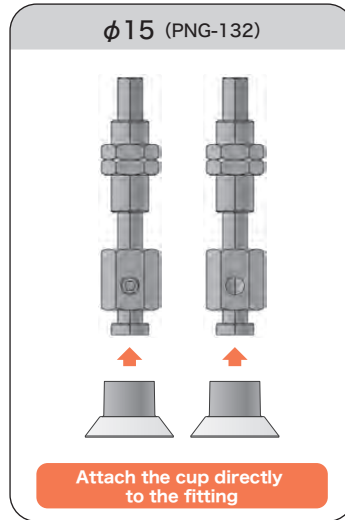
※□ in the table indicates the cup material.
※ The weight value is when NBR (Nitrile rubber) selected.

NAPNTS·YS Cup with Spring Fitting

Suction Cup
Cup with Thin Lip



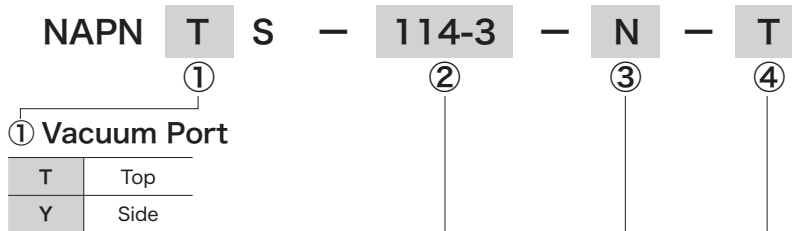
Consisting of fitting, setting screw, suction cup.



02

Suction Cup

How to Order



② Cup Size - Stroke (mm)

Symbol	Cup size Stroke	Symbol	Cup size Stroke	Symbol	Cup size Stroke
101-6	$\phi 31-6$	110-6	$\phi 23-6$	123-3	$\phi 15-3$
101-15	$\phi 31-15$	110-15	$\phi 23-15$	123-10	$\phi 15-10$
101-30	$\phi 31-30$	110-30	$\phi 23-30$	123-15	$\phi 15-15$
102-6	$\phi 25-6$	111-6	$\phi 25-6$	125-3	$\phi 24-3$
102-15	$\phi 25-15$	111-15	$\phi 25-15$	125-10	$\phi 24-10$
102-30	$\phi 25-30$	111-30	$\phi 25-30$	125-15	$\phi 24-15$
103-6	$\phi 25-6$	112-6	$\phi 27-6$	130A-3	$\phi 20-3$
103-15	$\phi 25-15$	112-15	$\phi 27-15$	130A-10	$\phi 20-10$
103-30	$\phi 25-30$	112-30	$\phi 27-30$	130A-15	$\phi 20-15$
104-6	$\phi 24.8-6$	114-3	$\phi 17-3$	130B-3	$\phi 20-3$
104-15	$\phi 24.8-15$	114-10	$\phi 17-10$	130B-10	$\phi 20-10$
104-30	$\phi 24.8-30$	114-15	$\phi 17-15$	130B-15	$\phi 20-15$
106-6	$\phi 25-6$	116-3	$\phi 18-3$	131-3	$\phi 25-3$
106-15	$\phi 25-15$	116-10	$\phi 18-10$	131-10	$\phi 25-10$
106-30	$\phi 25-30$	116-15	$\phi 18-15$	131-15	$\phi 25-15$
107-10	$\phi 49-10$	117-3	$\phi 17.6-3$	132-3	$\phi 15-3$
107-30	$\phi 49-30$	117-10	$\phi 17.6-10$	132-10	$\phi 15-10$
107-50	$\phi 49-50$	117-15	$\phi 17.6-15$	132-15	$\phi 15-15$
108-10	$\phi 40-10$	121-6	$\phi 31-6$	133-3	$\phi 25-3$
108-30	$\phi 40-30$	121-15	$\phi 31-15$	133-10	$\phi 25-10$
108-50	$\phi 40-50$	121-30	$\phi 31-30$	133-15	$\phi 25-15$
109-3	$\phi 17-3$	122-6	$\phi 34-6$	134-3	$\phi 35-3$
109-10	$\phi 17-10$	122-15	$\phi 34-15$	134-10	$\phi 35-10$
109-15	$\phi 17-15$	122-30	$\phi 34-30$	134-15	$\phi 35-15$

④ Connector

Blank	N/A
T	Barb
O	Push-in

※107/108 can not be selected "T" and "O".

③ Cup Rubber Material

Symbol	Material	Applicable cup size
N	NBR(Nitrile rubber)	101/116/122/130A/130B/131/132/133/134 ※1
S	Silicone rubber hardness 55	101/114/116/117/121/130A/130B/131/132/133/134
SI30	Silicone rubber hardness 30	107/123/131/132/133/134
U	Urethane rubber	104/110/116/125/130B
F	Fluorine rubber	130B
NR	Natural rubber	101/102/103/104/106/107/108/109/110/111/112/114/123

Note1) The hardness of 131/132/133/134 is 40, and another type is 55.
※Please consult with us for other material.

Spring Specifications

Cup size	Unit	109/114/116/117/123/125/130A/130B/131/132/133/134			101/102/103/104/106/110/111/112/121/122			107/108		
		3	10	15	6	15	30	10	30	50
Stroke	mm	3	10	15	6	15	30	10	30	50
Spring load at 0 stroke	N	0.61		0.64	2.45		2.95	8.82	6.76	8.33
Spring load at full stroke	N	0.77	1.17		3.43	4.93	5.88	11.8	15.6	19.6

Combination Table

Model number	Cup	Setting screw	Fitting	Piping specifications		
				Without connector · Blank	Barb connector · T	Push-in connector · O
NAPNOS-101-6-□ (-T/O)	PNG-101-□	TN-PN-101-M6	NAPFOS-20B-6-K (-T/O)	M5X0.8 (Female)	φ 6 X 4	
NAPNOS-101-15-□ (-T/O)			NAPFOS-20B-15-K (-T/O)			
NAPNOS-101-30-□ (-T/O)			NAPFOS-20B-30-K (-T/O)			
NAPNOS-102-6-□ (-T/O)	PNG-102-□	TN-PN-102-M6	NAPFOS-20B-6-K (-T/O)			
NAPNOS-102-15-□ (-T/O)			NAPFOS-20B-15-K (-T/O)			
NAPNOS-102-30-□ (-T/O)			NAPFOS-20B-30-K (-T/O)			
NAPNOS-103-6-□ (-T/O)	PNG-103-□	TN-PN-103-M6	NAPFOS-20B-6-K (-T/O)			
NAPNOS-103-15-□ (-T/O)			NAPFOS-20B-15-K (-T/O)			
NAPNOS-103-30-□ (-T/O)			NAPFOS-20B-30-K (-T/O)			
NAPNOS-104-6-□ (-T/O)	PNG-104-□	TN-PN-104-M6	NAPFOS-20B-6-K (-T/O)			
NAPNOS-104-15-□ (-T/O)			NAPFOS-20B-15-K (-T/O)			
NAPNOS-104-30-□ (-T/O)			NAPFOS-20B-30-K (-T/O)			
NAPNOS-106-6-□ (-T/O)	PNG-106-□		NAPFOS-20B-6-K (-T/O)			
NAPNOS-106-15-□ (-T/O)			NAPFOS-20B-15-K (-T/O)			
NAPNOS-106-30-□ (-T/O)			NAPFOS-20B-30-K (-T/O)			
NAPNOS-107-10-□	PNG-107-□	TN-PN-107-M10	NAPFOS-60-10-K	Rc1/8 (Female)	-	
NAPNOS-107-30-□			NAPFOS-60-30-K			
NAPNOS-107-50-□			NAPFOS-60-50-K			
NAPNOS-108-10-□	PNG-108-□	TN-PN-108-M10	NAPFOS-60-10-K			
NAPNOS-108-30-□			NAPFOS-60-30-K			
NAPNOS-108-50-□			NAPFOS-60-50-K			
NAPNOS-109-3-□ (-T/O)	PNG-109-□	TN-PN-109-M5	NAPCOS-10-3-K (-T/O)	M5X0.8 (Female)	φ 6 X 4	
NAPNOS-109-10-□ (-T/O)			NAPCOS-10-10-K (-T/O)			
NAPNOS-109-15-□ (-T/O)			NAPCOS-10-15-K (-T/O)			
NAPNOS-110-6-□ (-T/O)	PNG-110-□	TN-PN-104-M6	NAPFOS-20B-6-K (-T/O)			
NAPNOS-110-15-□ (-T/O)			NAPFOS-20B-15-K (-T/O)			
NAPNOS-110-30-□ (-T/O)			NAPFOS-20B-30-K (-T/O)			
NAPNOS-111-6-□ (-T/O)	PNG-111-□		NAPFOS-20B-6-K (-T/O)			
NAPNOS-111-15-□ (-T/O)			NAPFOS-20B-15-K (-T/O)			
NAPNOS-111-30-□ (-T/O)			NAPFOS-20B-30-K (-T/O)			
NAPNOS-112-6-□ (-T/O)	PNG-112-□	TN-PN-112-M6	NAPFOS-20B-6-K (-T/O)			
NAPNOS-112-15-□ (-T/O)			NAPFOS-20B-15-K (-T/O)			
NAPNOS-112-30-□ (-T/O)			NAPFOS-20B-30-K (-T/O)			
NAPNOS-114-3-□ (-T/O)	PNG-114-□	TN-PN-114-M5	NAPCOS-10-3-K (-T/O)			
NAPNOS-114-10-□ (-T/O)			NAPCOS-10-10-K (-T/O)			
NAPNOS-114-15-□ (-T/O)			NAPCOS-10-15-K (-T/O)			
NAPNOS-116-3-□ (-T/O)	PNG-116-□	TN-PN-116-M5	NAPCOS-10-3-K (-T/O)			
NAPNOS-116-10-□ (-T/O)			NAPCOS-10-10-K (-T/O)			
NAPNOS-116-15-□ (-T/O)			NAPCOS-10-15-K (-T/O)			
NAPNOS-117-3-□ (-T/O)	PNG-117-□		NAPCOS-10-3-K (-T/O)			
NAPNOS-117-10-□ (-T/O)			NAPCOS-10-10-K (-T/O)			
NAPNOS-117-15-□ (-T/O)			NAPCOS-10-15-K (-T/O)			
NAPNOS-121-6-□ (-T/O)	PNG-121-□	TN-PF-20-M5	NAPBOS-20-6-K (-T/O)			
NAPNOS-121-15-□ (-T/O)			NAPBOS-20-15-K (-T/O)			
NAPNOS-121-30-□ (-T/O)			NAPBOS-20-30-K (-T/O)			
NAPNOS-122-6-□ (-T/O)	PNG-122-□	TN-PN-122-M6	NAPFOS-20B-6-K (-T/O)			
NAPNOS-122-15-□ (-T/O)			NAPFOS-20B-15-K (-T/O)			
NAPNOS-122-30-□ (-T/O)			NAPFOS-20B-30-K (-T/O)			
NAPNOS-123-3-□ (-T/O)	PNG-123-□	TN-PN-123-M5	NAPCOS-10-3-K (-T/O)			
NAPNOS-123-10-□ (-T/O)			NAPCOS-10-10-K (-T/O)			
NAPNOS-123-15-□ (-T/O)			NAPCOS-10-15-K (-T/O)			
NAPNOS-125-3-□ (-T/O)	PNG-125-□	TN-PN-116-M5	NAPCOS-10-3-K (-T/O)			
NAPNOS-125-10-□ (-T/O)			NAPCOS-10-10-K (-T/O)			
NAPNOS-125-15-□ (-T/O)			NAPCOS-10-15-K (-T/O)			
NAPNOS-130A-3-□ (-T/O)	PNG-130A-□	TN-PN-130-M5	NAPCOS-10-3-K (-T/O)			
NAPNOS-130A-10-□ (-T/O)			NAPCOS-10-10-K (-T/O)			
NAPNOS-130A-15-□ (-T/O)			NAPCOS-10-15-K (-T/O)			
NAPNOS-130B-3-□ (-T/O)	PNG-130B-□		NAPCOS-10-3-K (-T/O)			
NAPNOS-130B-10-□ (-T/O)			NAPCOS-10-10-K (-T/O)			
NAPNOS-130B-15-□ (-T/O)			NAPCOS-10-15-K (-T/O)			
NAPNOS-131-3-□ (-T/O)	PNG-131-□	NAPCOS-10-3-K (-T/O)				
NAPNOS-131-10-□ (-T/O)		NAPCOS-10-10-K (-T/O)				
NAPNOS-131-15-□ (-T/O)		NAPCOS-10-15-K (-T/O)				
NAPNOS-132-3-□ (-T/O)	PNG-132-□	Attach the cup directly to the fitting	NAPFOS-10A-3-K (-T/O)			
NAPNOS-132-10-□ (-T/O)			NAPFOS-10A-10-K (-T/O)			
NAPNOS-132-15-□ (-T/O)			NAPFOS-10A-15-K (-T/O)			
NAPNOS-133-3-□ (-T/O)	PNG-133-□	TN-PN-130-M5	NAPCOS-10-3-K (-T/O)			
NAPNOS-133-10-□ (-T/O)			NAPCOS-10-10-K (-T/O)			
NAPNOS-133-15-□ (-T/O)			NAPCOS-10-15-K (-T/O)			
NAPNOS-134-3-□ (-T/O)	PNG-134-□		NAPCOS-10-3-K (-T/O)			
NAPNOS-134-10-□ (-T/O)			NAPCOS-10-10-K (-T/O)			
NAPNOS-134-15-□ (-T/O)			NAPCOS-10-15-K (-T/O)			

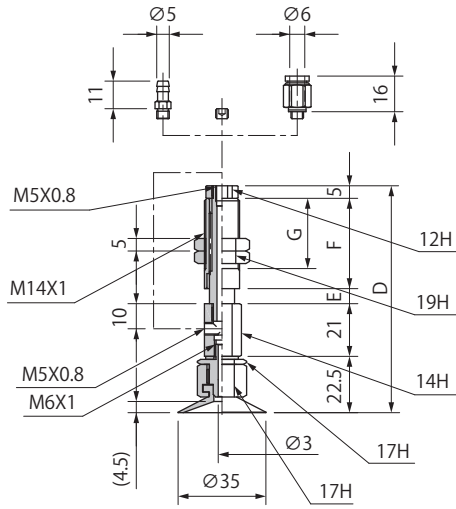
※□ in the table indicates the cup material.
 ※○ in the table indicates the vacuum port (T or Y).

NAPNTS·YS Cup with Spring Fitting

Dimensions

(mm)

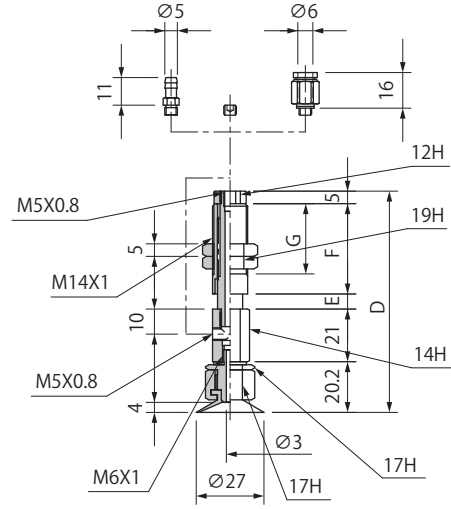
NAPNT/YS-101



Model number	D	E	F	G	Weight(g)
NAPNT/YS-101-6-□ (-T/O)	90.5	6	36	28	87.5
NAPNT/YS-101-15-□ (-T/O)	99.5	15			92.5
NAPNT/YS-101-30-□ (-T/O)	136.5	30	58	50	117.5

※□ in the table indicates the cup material.
 ※ The weight value is when NBR (Nitrile rubber) / without connector selected.

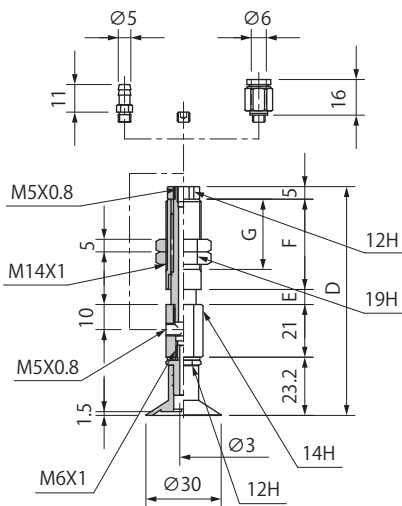
NAPNT/YS-102



Model number	D	E	F	G	Weight(g)
NAPNT/YS-102-6-□ (-T/O)	88.2	6	36	28	86.5
NAPNT/YS-102-15-□ (-T/O)	97.2	15			91.5
NAPNT/YS-102-30-□ (-T/O)	134.2	30	58	50	116.5

※□ in the table indicates the cup material.
 ※ The weight value is when NR (Natural rubber) / without connector selected.

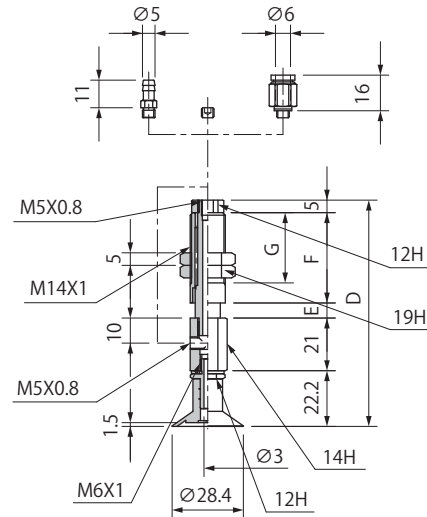
NAPNT/YS-103



Model number	D	E	F	G	Weight(g)
NAPNT/YS-103-6-□ (-T/O)	91.2	6	36	28	70.5
NAPNT/YS-103-15-□ (-T/O)	100.2	15			75.5
NAPNT/YS-103-30-□ (-T/O)	137.2	30	58	50	100.5

※□ in the table indicates the cup material.
 ※ The weight value is when NR (Natural rubber) / without connector selected.

NAPNT/YS-104



Model number	D	E	F	G	Weight(g)
NAPNT/YS-104-6-□ (-T/O)	90.2	6	36	28	68
NAPNT/YS-104-15-□ (-T/O)	99.2	15			73
NAPNT/YS-104-30-□ (-T/O)	136.2	30	58	50	98

※□ in the table indicates the cup material.
 ※ The weight value is when NR (Natural rubber) / without connector selected.

Common Specifications

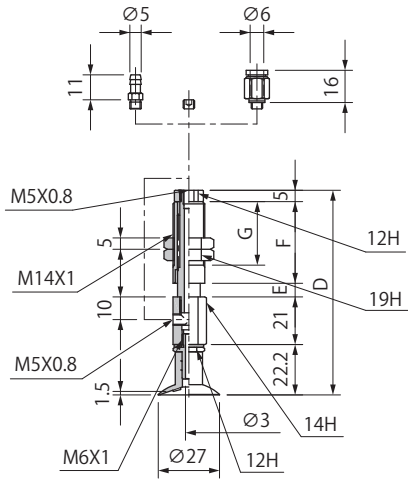
Connector Weight(g)

Symbol	Tube O.D φ 6
T	1.5
O	4.0

Dimensions

(mm)

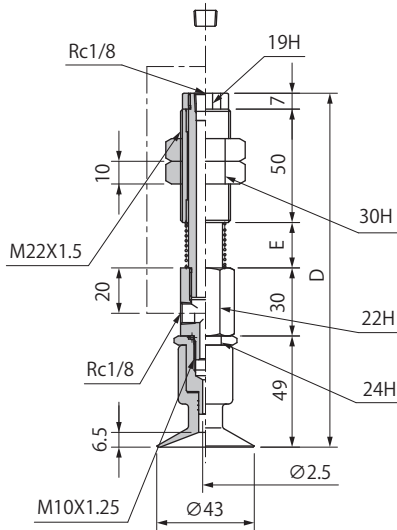
NAPNT/YS-106



Model number	D	E	F	G	Weight(g)
NAPNT/YS-106-6-□ (-T/O)	90.2	6	36	28	68
NAPNT/YS-106-15-□ (-T/O)	99.2	15			73
NAPNT/YS-106-30-□ (-T/O)	136.2	30	58	50	98

※□ in the table indicates the cup material.
 ※ The weight value is when NR (Natural rubber) / without connector selected.

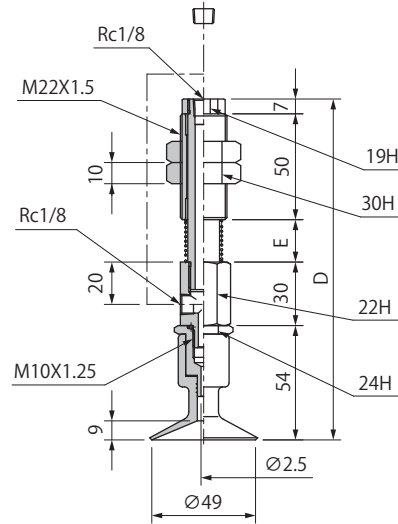
NAPNT/YS-108



Model number	D	E	Weight (g)
NAPNT/YS-108-10-□	156	20	310
NAPNT/YS-108-30-□	186	50	344
NAPNT/YS-108-50-□	211	75	371

※□ in the table indicates the cup material.
 ※ The weight value is when NR (Natural rubber) selected.

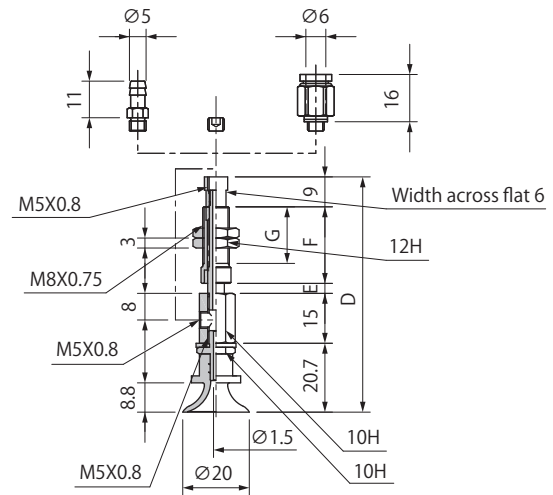
NAPNT/YS-107



Model number	D	E	Weight(g)
NAPNT/YS-107-10-□ (-T/O)	161	20	310
NAPNT/YS-107-30-□ (-T/O)	191	50	344
NAPNT/YS-107-50-□ (-T/O)	216	75	371

※□ in the table indicates the cup material.
 ※ The weight value is when NR (Natural rubber) selected.

NAPNT/YS-109



Model number	D	E	F	G	Weight(g)
NAPNT/YS-109-3-□ (-T/O)	70.7	3			21.5
NAPNT/YS-109-10-□ (-T/O)	77.7	10	23	17	22
NAPNT/YS-109-15-□ (-T/O)	90.2	15	30.5	24.5	24.5

※□ in the table indicates the cup material.
 ※ The weight value is when NR (Natural rubber) selected.

Common Specifications

Connector Weight(g)

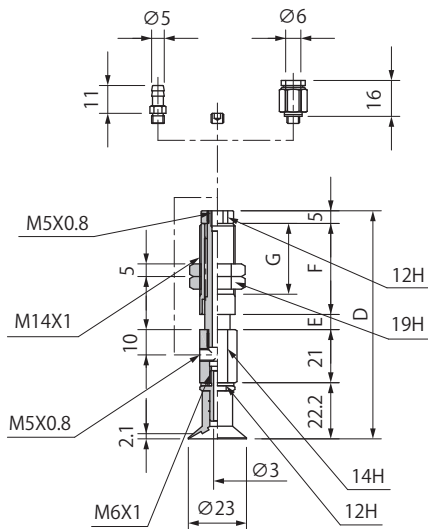
Symbol	Tube O.D $\phi 6$
T	1.5
O	4.0

NAPNTS·YS Cup with Spring Fitting

Dimensions

(mm)

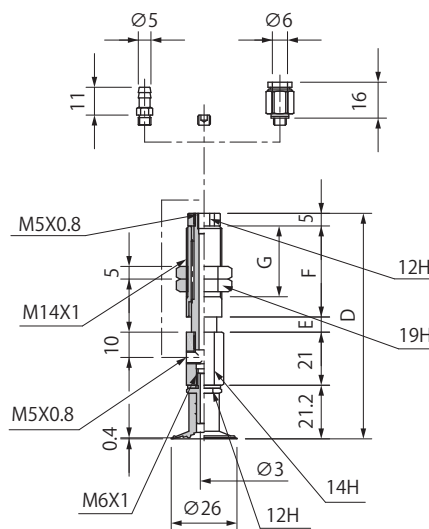
NAPNT/YS-110



Model number	D	E	F	G	Weight(g)
NAPNT/YS-110-6-□ (-T/O)	90.2	6	36	28	68
NAPNT/YS-110-15-□ (-T/O)	99.2	15	58	28	73
NAPNT/YS-110-30-□ (-T/O)	136.2	30	58	50	98

※□ in the table indicates the cup material.
 ※ The weight value is when NR (Natural rubber) / without connector selected.

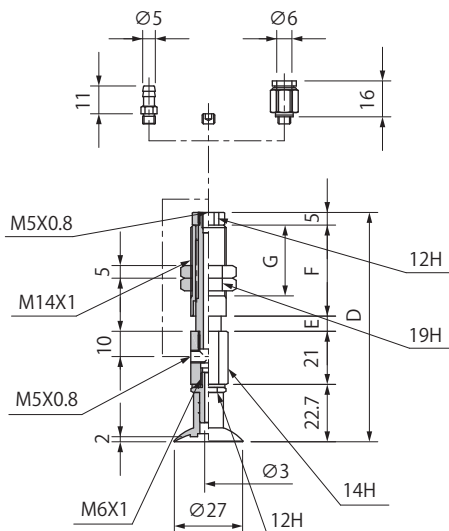
NAPNT/YS-111



Model number	D	E	F	G	Weight(g)
NAPNT/YS-111-6-□ (-T/O)	89.2	6	36	28	68
NAPNT/YS-111-15-□ (-T/O)	98.2	15	58	28	73
NAPNT/YS-111-30-□ (-T/O)	135.2	30	58	50	98

※□ in the table indicates the cup material.
 ※ The weight value is when NR (Natural rubber) / without connector selected.

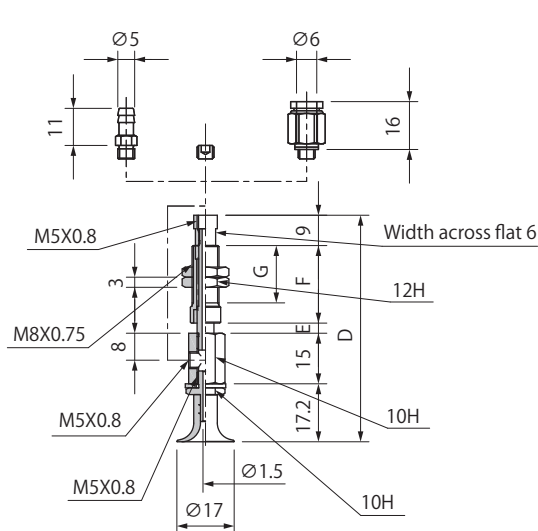
NAPNT/YS-112



Model number	D	E	F	G	Weight(g)
NAPNT/YS-112-6-□ (-T/O)	90.7	6	36	28	68.5
NAPNT/YS-112-15-□ (-T/O)	99.7	15	58	28	73.5
NAPNT/YS-112-30-□ (-T/O)	136.7	30	58	50	98.5

※□ in the table indicates the cup material.
 ※ The weight value is when NR (Natural rubber) / without connector selected.

NAPNT/YS-114



Model number	D	E	F	G	Weight(g)
NAPNT/YS-114-6-□ (-T/O)	67.2	3	23	17	20.5
NAPNT/YS-114-15-□ (-T/O)	74.2	10	30.5	17	21
NAPNT/YS-114-30-□ (-T/O)	86.7	15	30.5	24.5	23.5

※□ in the table indicates the cup material.
 ※ The weight value is when NR (Natural rubber) / without connector selected.

Common Specifications

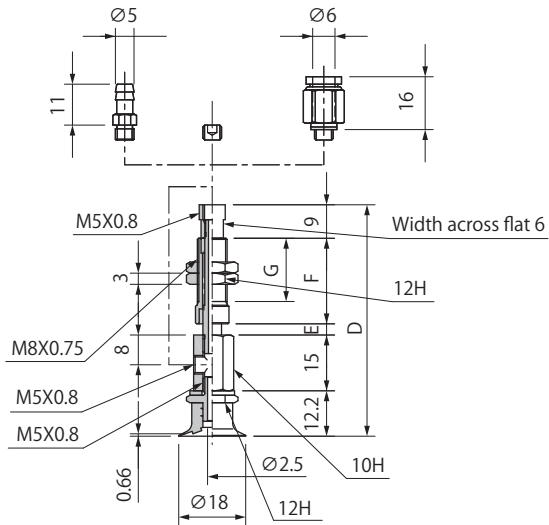
Connector Weight(g)

Symbol	Tube O.D φ 6
T	1.5
O	4.0

Dimensions

(mm)

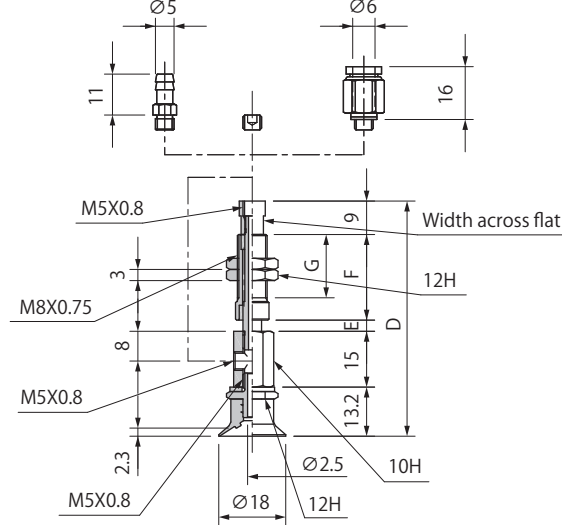
NAPNT/YS-116



Model number	D	E	F	G	Weight(g)
NAPNT/YS-116-3-□ (-T/O)	62.2	3	23	17	21.5
NAPNT/YS-116-10-□ (-T/O)	69.2	10			22
NAPNT/YS-116-15-□ (-T/O)	81.7	15	30.5	24.5	24.5

※□ in the table indicates the cup material.
※ The weight value is when S (Silicone rubber) / without connector selected.

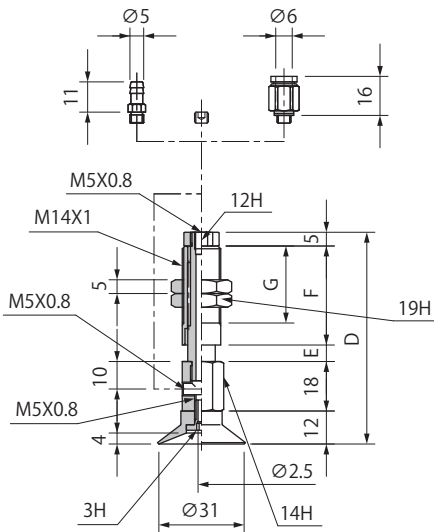
NAPNT/YS-117



Model number	D	E	F	G	Weight(g)
NAPNT/YS-117-3-□ (-T/O)	63.2	3	23	17	21.5
NAPNT/YS-117-10-□ (-T/O)	70.2	10			22
NAPNT/YS-117-15-□ (-T/O)	82.7	15	30.5	24.5	24.5

※□ in the table indicates the cup material.
※ The weight value is when S (Silicone rubber) / without connector selected.

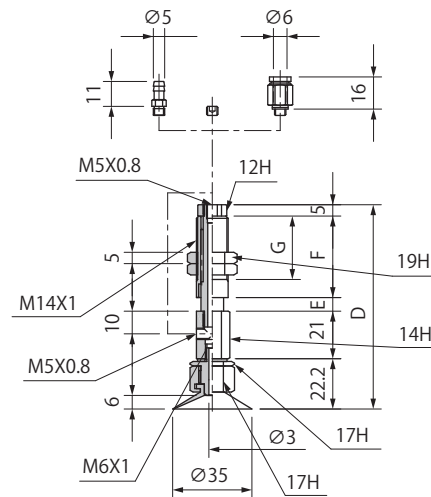
NAPNT/YS-121



Model number	D	E	F	G	Weight(g)
NAPNT/YS-121-6-□ (-T/O)	77	6	36	28	65.5
NAPNT/YS-121-15-□ (-T/O)	86	15			70.5
NAPNT/YS-121-30-□ (-T/O)	123	30	58	50	95.5

※□ in the table indicates the cup material.
※ The weight value is when S (Silicone rubber) / without connector selected.

NAPNT/YS-122



Model number	D	E	F	G	Weight(g)
NAPNT/YS-122-6-□ (-T/O)	90.2	6	36	28	88
NAPNT/YS-122-15-□ (-T/O)	99.2	15			93
NAPNT/YS-122-30-□ (-T/O)	136.2	30	58	50	118

※□ in the table indicates the cup material.
※ The weight value is when NBR (Nitrile rubber) / without connector selected.

Common Specifications

Symbol	Connector Weight(g)	
	Tube O.D φ 6	
T	1.5	
O	4.0	

02
Suction Cup

PA

PB

PC

PCD

PD

PF

PFO

PH

PJ

CORE

PK2

PK2B

PK2L

PL

PN

PN-B

PP

PQ

PR

PU

PW

RA

SM

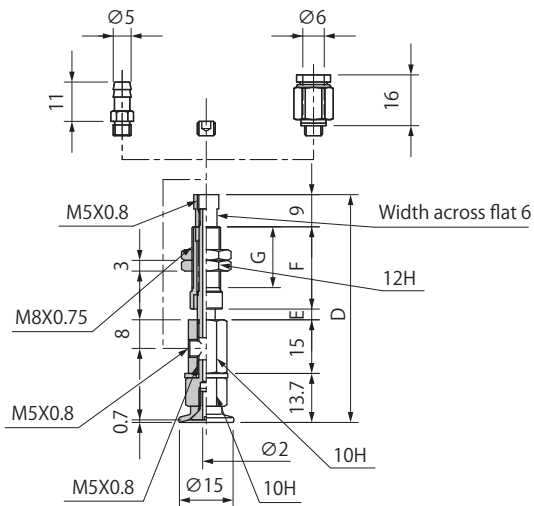
TN

NAPNTS·YS Cup with Spring Fitting

Dimensions

(mm)

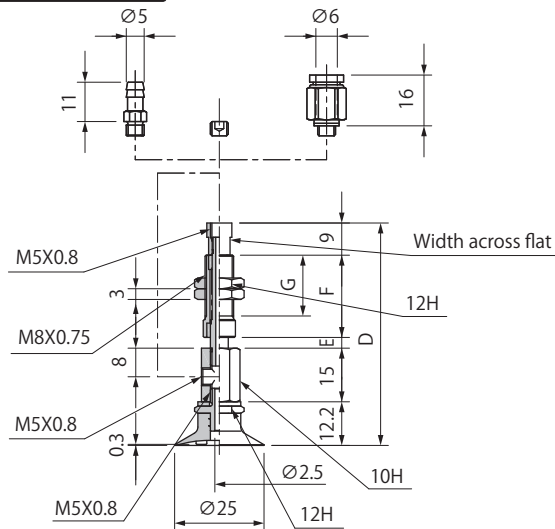
NAPNT/YS-123



Model number	D	E	F	G	Weight(g)
NAPNT/YS-123-3-□ (-T/O)	63.7	3	23	17	24.5
NAPNT/YS-123-10-□ (-T/O)	70.7	10			25
NAPNT/YS-123-15-□ (-T/O)	83.2	15	30.5	24.5	27.5

※□ in the table indicates the cup material.
 ※ The weight value is when NR (Natural rubber) / without connector selected.

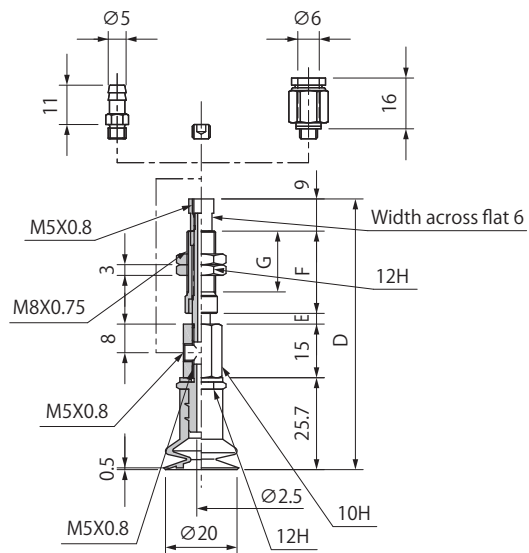
NAPNT/YS-125



Model number	D	E	F	G	Weight(g)
NAPNT/YS-125-3-□ (-T/O)	62.2	3	23	17	22
NAPNT/YS-125-10-□ (-T/O)	69.2	10			22.5
NAPNT/YS-125-15-□ (-T/O)	81.7	15	30.5	24.5	25

※□ in the table indicates the cup material.
 ※ The weight value is when U (Urethane rubber) / without connector selected.

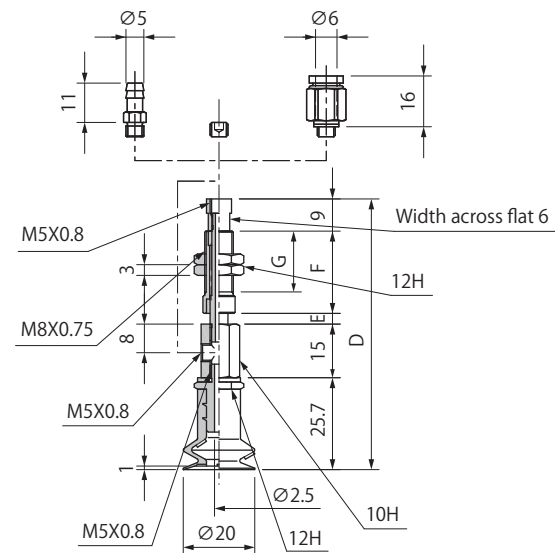
NAPNT/YS-130A



Model number	D	E	F	G	Weight(g)
NAPNT/YS-130A-3-□ (-T/O)	75.7	3	23	17	25.5
NAPNT/YS-130A-10-□ (-T/O)	82.7	10			26
NAPNT/YS-130A-15-□ (-T/O)	95.2	15	30.5	24.5	28.5

※□ in the table indicates the cup material.
 ※ The weight value is when NBR (Nitrile rubber) / without connector selected.

NAPNT/YS-130B



Model number	D	E	F	G	Weight(g)
NAPNT/YS-130B-3-□ (-T/O)	75.7	3	23	17	25.5
NAPNT/YS-130B-10-□ (-T/O)	82.7	10			26
NAPNT/YS-130B-15-□ (-T/O)	95.2	15	30.5	24.5	28.5

※□ in the table indicates the cup material.
 ※ The weight value is when NBR (Nitrile rubber) / without connector selected.

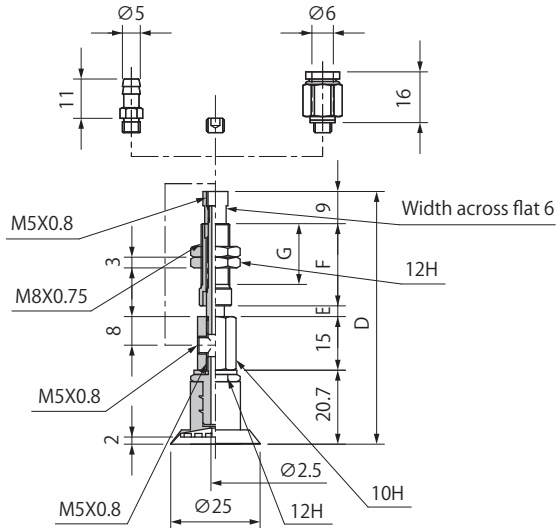
Common Specifications

Connector Weight(g)	
Model Number	Tube O.D φ 6
T	1.5
O	4.0

Dimensions

(mm)

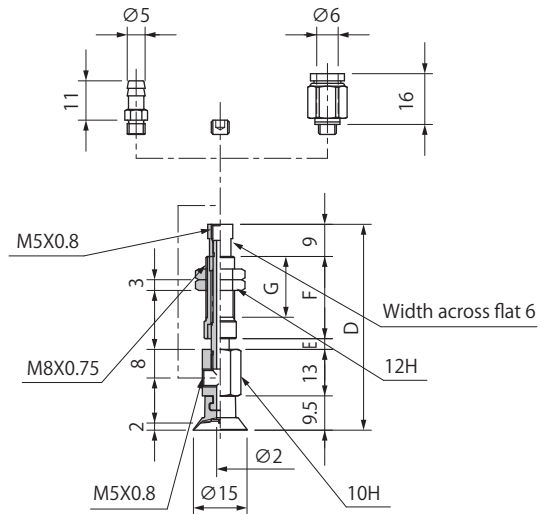
NAPNT/YS-131



Model number	D	E	F	G	Weight(g)
NAPNT/YS-131-3-□ (-T/O)	70.7	3	23	17	25.5
NAPNT/YS-131-10-□ (-T/O)	77.7	10			26
NAPNT/YS-131-15-□ (-T/O)	90.2	15	30.5	24.5	28.5

※□ in the table indicates the cup material.
 ※ The weight value is when NBR (Nitrile rubber) / without connector selected.

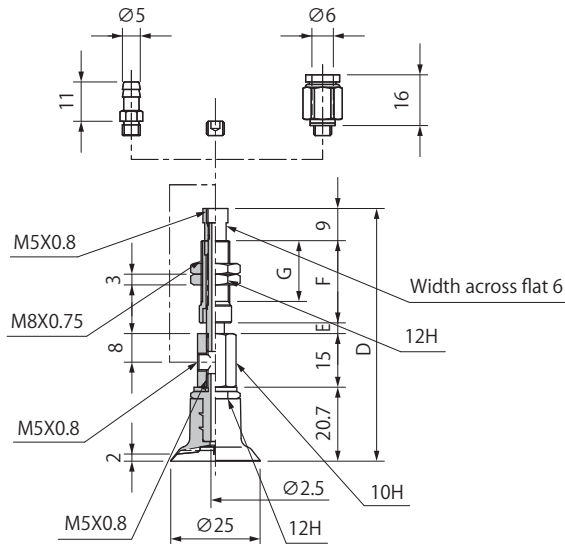
NAPNT/YS-132



Model number	D	E	F	G	Weight(g)
NAPNT/YS-132-3-□ (-T/O)	57.5	3	23	17	19.1
NAPNT/YS-132-10-□ (-T/O)	64.5	10			19.6
NAPNT/YS-132-15-□ (-T/O)	77	15	30.5	24.5	22.1

※□ in the table indicates the cup material.
 ※ The weight value is when NBR (Nitrile rubber) / without connector selected.

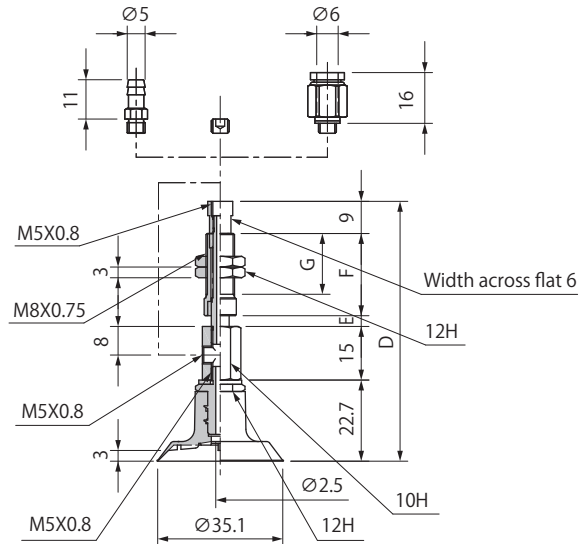
NAPNT/YS-133



Model number	D	E	F	G	Weight(g)
NAPNT/YS-133-3-□ (-T/O)	70.7	3	23	17	26.6
NAPNT/YS-133-10-□ (-T/O)	77.7	10			27.1
NAPNT/YS-133-15-□ (-T/O)	90.2	15	30.5	24.5	29.6

※□ in the table indicates the cup material.
 ※ The weight value is when NBR (Nitrile rubber) / without connector selected.

NAPNT/YS-134



Model number	D	E	F	G	Weight(g)
NAPNT/YS-134-3-□ (-T/O)	72.7	3	23	17	27.5
NAPNT/YS-134-10-□ (-T/O)	79.7	10			28
NAPNT/YS-134-15-□ (-T/O)	92.2	15	30.5	24.5	30.5

※□ in the table indicates the cup material.
 ※ The weight value is when NBR (Nitrile rubber) / without connector selected.

Common Specifications

Model Number	Connector Weight(g)	
	Tube O.D φ 6	
T	1.5	
O	4.0	

02

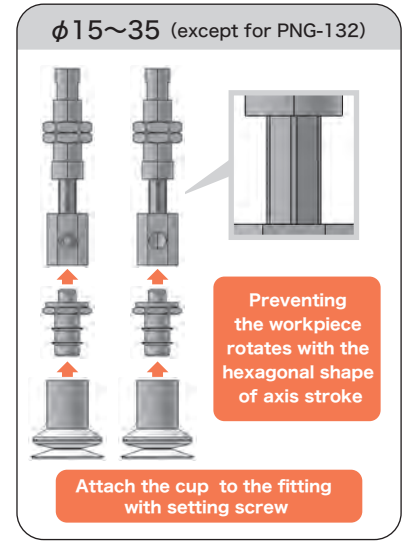
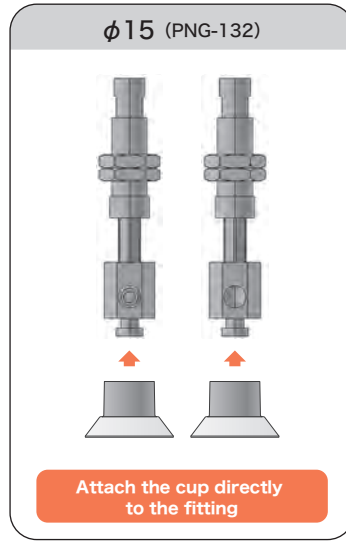
Suction Cup

- PA
- PB
- PC
- PCD
- PD
- PF
- PFO
- PH
- PJ
- CORE
- PK2
- PK2B
- PK2L
- PL
- PN**
- PN-B
- PP
- PQ
- PR
- PU
- PW
- RA
- SM
- TN

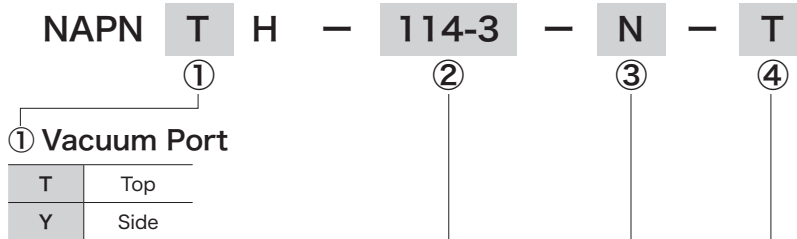
NAPNTH·YH Cup with Non-rotation Spring Fitting



Consisting of fitting, setting screw, suction cup.



How to Order



② Cup Size - Stroke (mm)

Symbol	Cup size Stroke	Symbol	Cup size Stroke	Symbol	Cup size Stroke
101-6	$\phi 31-6$	111-6	$\phi 25-6$	123-3	$\phi 15-3$
101-15	$\phi 31-15$	111-15	$\phi 25-15$	123-10	$\phi 15-10$
101-30	$\phi 31-30$	111-30	$\phi 25-30$	123-15	$\phi 15-15$
102-6	$\phi 25-6$	112-6	$\phi 27-6$	125-3	$\phi 24-3$
102-15	$\phi 25-15$	112-15	$\phi 27-15$	125-10	$\phi 24-10$
102-30	$\phi 25-30$	112-30	$\phi 27-30$	125-15	$\phi 24-15$
103-6	$\phi 25-6$	114-3	$\phi 17-3$	130A-3	$\phi 20-3$
103-15	$\phi 25-15$	114-10	$\phi 17-10$	130A-10	$\phi 20-10$
103-30	$\phi 25-30$	114-15	$\phi 17-15$	130A-15	$\phi 20-15$
104-6	$\phi 24.8-6$	116-3	$\phi 18-3$	130B-3	$\phi 20-3$
104-15	$\phi 24.8-15$	116-10	$\phi 18-10$	130B-10	$\phi 20-10$
104-30	$\phi 24.8-30$	116-15	$\phi 18-15$	130B-15	$\phi 20-15$
106-6	$\phi 25-6$	117-3	$\phi 17.6-3$	131-3	$\phi 25-3$
106-15	$\phi 25-15$	117-10	$\phi 17.6-10$	131-10	$\phi 25-10$
106-30	$\phi 25-30$	117-15	$\phi 17.6-15$	131-15	$\phi 25-15$
109-3	$\phi 17-3$	121-6	$\phi 31-6$	132-3	$\phi 15-3$
109-10	$\phi 17-10$	121-15	$\phi 31-15$	132-10	$\phi 15-10$
109-15	$\phi 17-15$	121-30	$\phi 31-30$	132-15	$\phi 15-15$
110-6	$\phi 23-6$	122-6	$\phi 34-6$	133-3	$\phi 25-3$
110-15	$\phi 23-15$	122-15	$\phi 34-15$	133-10	$\phi 25-10$
110-30	$\phi 23-30$	122-30	$\phi 34-30$	133-15	$\phi 25-15$
				134-3	$\phi 35-3$
				134-10	$\phi 35-10$
				134-15	$\phi 35-15$

④ Connector

Blank	N/A
T	Barb
O	Push-in

③ Cup Rubber Material

Symbol	Material	Applicable cup size
N	NBR(Nitrile rubber)	101/116/122/130A/130B/131/132/133/134 ^{Note 1}
S	Silicone rubber hardness 55	101/114/116/117/121/130A/130B/131/132/133/134
SI30	Silicone rubber hardness 30	107/123/131/132/133/134
U	Urethane rubber	104/110/116/125/130B
F	Fluorine rubber	130B
NR	Natural rubber	101/102/103/104/106/109/110/111/112/114/123

Note1) The hardness of 131/132/133/134 is 40, and another type is 55.
 ※Please consult with us for other material.

Spring Specifications

Cup size	Unit	109/114/116/117/123/125/130A/130B/131/132/133/134			101/102/103/104/106/110/111/112/121/122		
		3	10	15	6	15	30
Stroke	mm	3	10	15	6	15	30
Spring load at 0 stroke	N	0.61		0.64	2.45		2.9
Spring load at full stroke	N	0.77	1.17		3.43	4.9	5.88

Combination Table

Model number	Cup	Setting screw	Fitting	Piping specifications		
				Without connector · Blank	Barb connector · T	Push-in connector · O
NAPN○H-101-6-□ (-T/O)	PNG-101-□	TN-PN-101-M6	NAPF○H-20B-6-K (-T/O)	M5X0.8 (Female)	φ 6 X 4	
NAPN○H-101-15-□ (-T/O)			NAPF○H-20B-15-K (-T/O)			
NAPN○H-101-30-□ (-T/O)			NAPF○H-20B-30-K (-T/O)			
NAPN○H-102-6-□ (-T/O)	PNG-102-□	TN-PN-102-M6	NAPF○H-20B-6-K (-T/O)			
NAPN○H-102-15-□ (-T/O)			NAPF○H-20B-15-K (-T/O)			
NAPN○H-102-30-□ (-T/O)			NAPF○H-20B-30-K (-T/O)			
NAPN○H-103-6-□ (-T/O)	PNG-103-□	TN-PN-103-M6	NAPF○H-20B-6-K (-T/O)			
NAPN○H-103-15-□ (-T/O)			NAPF○H-20B-15-K (-T/O)			
NAPN○H-103-30-□ (-T/O)			NAPF○H-20B-30-K (-T/O)			
NAPN○H-104-6-□ (-T/O)	PNG-104-□	TN-PN-104-M6	NAPF○H-20B-6-K (-T/O)			
NAPN○H-104-15-□ (-T/O)			NAPF○H-20B-15-K (-T/O)			
NAPN○H-104-30-□ (-T/O)			NAPF○H-20B-30-K (-T/O)			
NAPN○H-106-6-□ (-T/O)	PNG-106-□		NAPF○H-20B-6-K (-T/O)			
NAPN○H-106-15-□ (-T/O)			NAPF○H-20B-15-K (-T/O)			
NAPN○H-106-30-□ (-T/O)			NAPF○H-20B-30-K (-T/O)			
NAPN○H-109-3-□ (-T/O)	PNG-109-□	TN-PN-109-M5	NAPC○H-10-3-K (-T/O)			
NAPN○H-109-10-□ (-T/O)			NAPC○H-10-10-K (-T/O)			
NAPN○H-109-15-□ (-T/O)			NAPC○H-10-15-K (-T/O)			
NAPN○H-110-6-□ (-T/O)	PNG-110-□	TN-PN-104-M6	NAPF○H-20B-6-K (-T/O)			
NAPN○H-110-15-□ (-T/O)			NAPF○H-20B-15-K (-T/O)			
NAPN○H-110-30-□ (-T/O)			NAPF○H-20B-30-K (-T/O)			
NAPN○H-111-6-□ (-T/O)	PNG-111-□		NAPF○H-20B-6-K (-T/O)			
NAPN○H-111-15-□ (-T/O)			NAPF○H-20B-15-K (-T/O)			
NAPN○H-111-30-□ (-T/O)			NAPF○H-20B-30-K (-T/O)			
NAPN○H-112-6-□ (-T/O)	PNG-112-□	TN-PN-112-M6	NAPF○H-20B-6-K (-T/O)			
NAPN○H-112-15-□ (-T/O)			NAPF○H-20B-15-K (-T/O)			
NAPN○H-112-30-□ (-T/O)			NAPF○H-20B-30-K (-T/O)			
NAPN○H-114-3-□ (-T/O)	PNG-114-□	TN-PN-114-M5	NAPC○H-10-3-K (-T/O)			
NAPN○H-114-10-□ (-T/O)			NAPC○H-10-10-K (-T/O)			
NAPN○H-114-15-□ (-T/O)			NAPC○H-10-15-K (-T/O)			
NAPN○H-116-3-□ (-T/O)	PNG-116-□	TN-PN-116-M5	NAPC○H-10-3-K (-T/O)			
NAPN○H-116-10-□ (-T/O)			NAPC○H-10-10-K (-T/O)			
NAPN○H-116-15-□ (-T/O)			NAPC○H-10-15-K (-T/O)			
NAPN○H-117-3-□ (-T/O)	PNG-117-□		NAPC○H-10-3-K (-T/O)			
NAPN○H-117-10-□ (-T/O)			NAPC○H-10-10-K (-T/O)			
NAPN○H-117-15-□ (-T/O)			NAPC○H-10-15-K (-T/O)			
NAPN○H-121-6-□ (-T/O)	PNG-121-□	TN-PF-20-M5	NAPB○H-20B-6-K (-T/O)			
NAPN○H-121-15-□ (-T/O)			NAPB○H-20B-15-K (-T/O)			
NAPN○H-121-30-□ (-T/O)			NAPB○H-20B-30-K (-T/O)			
NAPN○H-122-6-□ (-T/O)	PNG-122-□	TN-PN-122-M6	NAPF○H-20B-6-K (-T/O)			
NAPN○H-122-15-□ (-T/O)			NAPF○H-20B-15-K (-T/O)			
NAPN○H-122-30-□ (-T/O)			NAPF○H-20B-30-K (-T/O)			
NAPN○H-123-3-□ (-T/O)	PNG-123-□	TN-PN-123-M5	NAPC○H-10-3-K (-T/O)			
NAPN○H-123-10-□ (-T/O)			NAPC○H-10-10-K (-T/O)			
NAPN○H-123-15-□ (-T/O)			NAPC○H-10-15-K (-T/O)			
NAPN○H-125-3-□ (-T/O)	PNG-125-□	TN-PN-116-M5	NAPC○H-10-3-K (-T/O)			
NAPN○H-125-10-□ (-T/O)			NAPC○H-10-10-K (-T/O)			
NAPN○H-125-15-□ (-T/O)			NAPC○H-10-15-K (-T/O)			
NAPN○H-130A-3-□ (-T/O)	PNG-130A-□	TN-PN-130-M5	NAPC○H-10-3-K (-T/O)			
NAPN○H-130A-10-□ (-T/O)			NAPC○H-10-10-K (-T/O)			
NAPN○H-130A-15-□ (-T/O)			NAPC○H-10-15-K (-T/O)			
NAPN○H-130B-3-□ (-T/O)	PNG-130B-□		NAPC○H-10-3-K (-T/O)			
NAPN○H-130B-10-□ (-T/O)			NAPC○H-10-10-K (-T/O)			
NAPN○H-130B-15-□ (-T/O)			NAPC○H-10-15-K (-T/O)			
NAPN○H-131-3-□ (-T/O)	PNG-131-□	NAPC○H-10-3-K (-T/O)				
NAPN○H-131-10-□ (-T/O)		NAPC○H-10-10-K (-T/O)				
NAPN○H-131-15-□ (-T/O)		NAPC○H-10-15-K (-T/O)				
NAPN○H-132-3-□ (-T/O)	PNG-132-□	Attach the cup directly to the fitting	NAPF○H-5A-3-K (-T/O)			
NAPN○H-132-10-□ (-T/O)			NAPF○H-5A-10-K (-T/O)			
NAPN○H-132-15-□ (-T/O)			NAPF○H-5A-15-K (-T/O)			
NAPN○H-133-3-□ (-T/O)	PNG-133-□	TN-PN-130-M5	NAPC○H-10-3-K (-T/O)			
NAPN○H-133-10-□ (-T/O)			NAPC○H-10-10-K (-T/O)			
NAPN○H-133-15-□ (-T/O)			NAPC○H-10-15-K (-T/O)			
NAPN○H-134-3-□ (-T/O)	PNG-134-□		NAPC○H-10-3-K (-T/O)			
NAPN○H-134-10-□ (-T/O)			NAPC○H-10-10-K (-T/O)			
NAPN○H-134-15-□ (-T/O)			NAPC○H-10-15-K (-T/O)			

※□ in the table indicates the cup material.
 ※○ in the table indicates the vacuum port (T or Y).

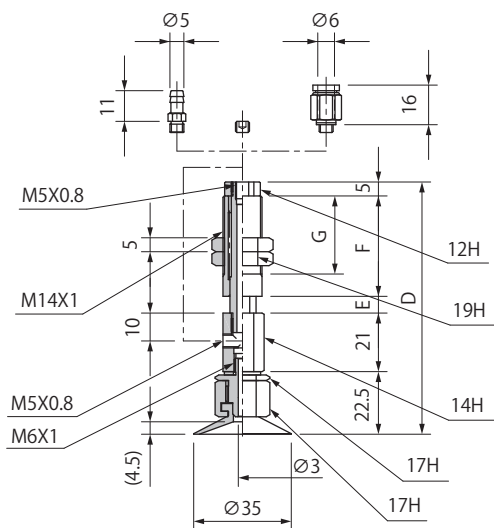
NAPNTH·YH Cup with Non-rotation Spring Fitting

Suction Cup Cup with Thin Lip

Dimensions

(mm)

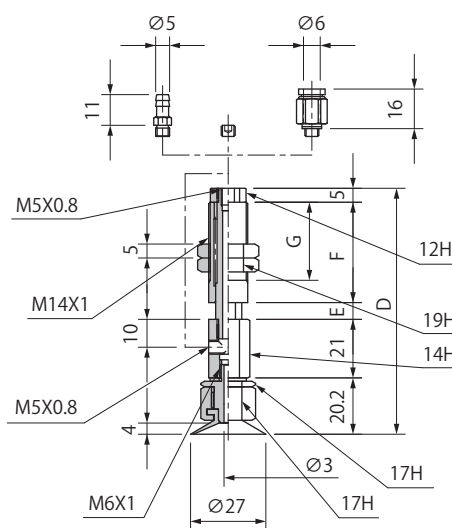
NAPNT/YH-101



Model number	D	E	F	G	Weight(g)
NAPNT/YH-101-6-□ (-T/O)	90.5	6	36	28	86
NAPNT/YH-101-15-□ (-T/O)	99.5	15			91
NAPNT/YH-101-30-□ (-T/O)	136.5	30	58	50	115

※□ in the table indicates the cup material.
 ※ The weight value is when NBR (Nitrile rubber) / without connector selected.

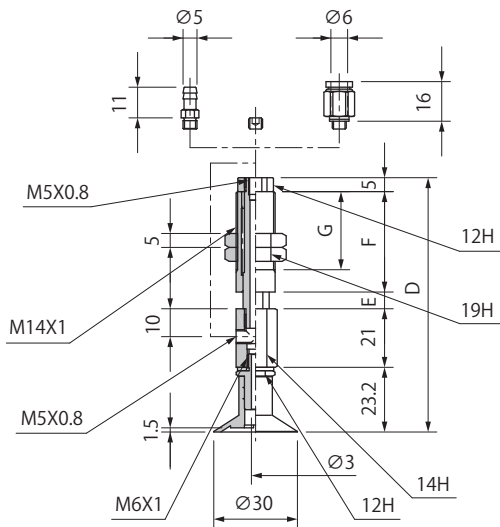
NAPNT/YH-102



Model number	D	E	F	G	Weight(g)
NAPNT/YH-102-6-□ (-T/O)	88.2	6	36	28	85
NAPNT/YH-102-15-□ (-T/O)	97.2	15			90
NAPNT/YH-102-30-□ (-T/O)	134.2	30	58	50	114

※□ in the table indicates the cup material.
 ※ The weight value is when NR (Natural rubber) / without connector selected.

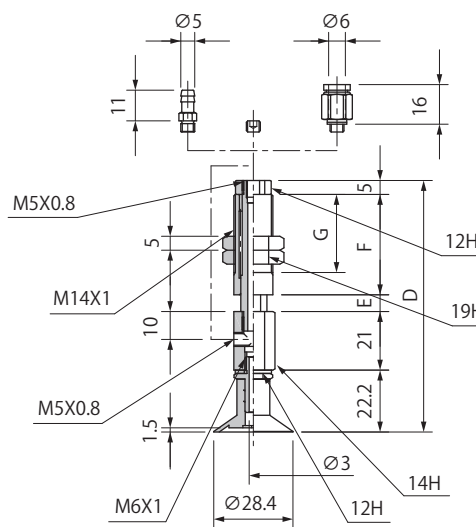
NAPNT/YH-103



Model number	D	E	F	G	Weight(g)
NAPNT/YH-103-6-□ (-T/O)	91.2	6	36	28	69
NAPNT/YH-103-15-□ (-T/O)	100.2	15			74
NAPNT/YH-103-30-□ (-T/O)	137.2	30	58	50	98

※□ in the table indicates the cup material.
 ※ The weight value is when NR (Natural rubber) / without connector selected.

NAPNT/YH-104



Model number	D	E	F	G	Weight(g)
NAPNT/YH-104-6-□ (-T/O)	90.2	6	36	28	66.5
NAPNT/YH-104-15-□ (-T/O)	99.2	15			71.5
NAPNT/YH-104-30-□ (-T/O)	136.2	30	58	50	95.5

※□ in the table indicates the cup material.
 ※ The weight value is when NR (Natural rubber) / without connector selected.

Common Specifications

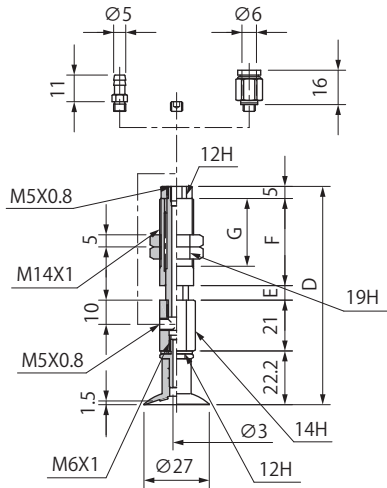
Connector Weight(g)

Symbol	Tube O.D φ 6
T	1.5
O	4.0

Dimensions

(mm)

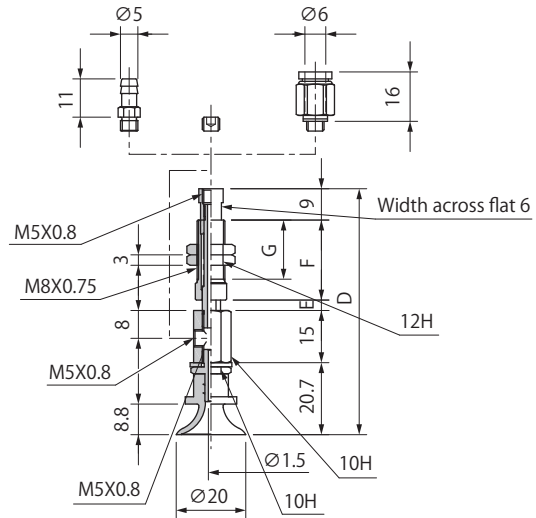
NAPNT/YH-106



Model number	D	E	F	G	Weight(g)
NAPNT/YH-106-6-□ (-T/O)	90.2	6	36	28	66.5
NAPNT/YH-106-15-□ (-T/O)	99.2	15			71.5
NAPNT/YH-106-30-□ (-T/O)	136.2	30	58	50	95.5

※□ in the table indicates the cup material.
 ※ The weight value is when NR (Natural rubber) / without connector selected.

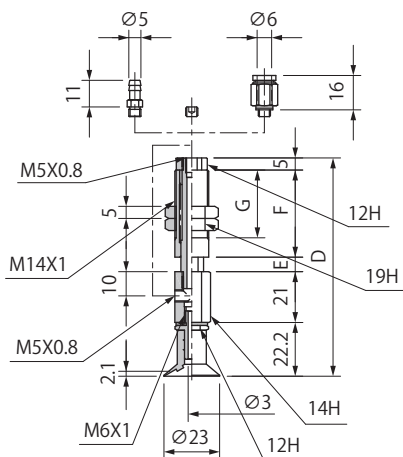
NAPNT/YH-109



Model number	D	E	F	G	Weight(g)
NAPNT/YH-109-3-□ (-T/O)	70.7	3			22
NAPNT/YH-109-10-□ (-T/O)	77.7	10	23	17	22.5
NAPNT/YH-109-15-□ (-T/O)	90.2	15	30.5	24.5	25.5

※□ in the table indicates the cup material.
 ※ The weight value is when NR (Natural rubber) / without connector selected.

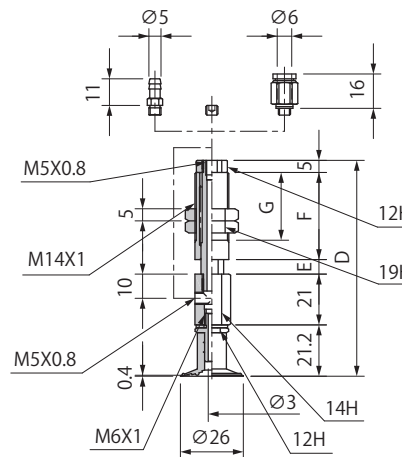
NAPNT/YH-110



Model number	D	E	F	G	Weight(g)
NAPNT/YH-110-6-□ (-T/O)	90.2	6	36	28	66.5
NAPNT/YH-110-15-□ (-T/O)	99.2	15			71.5
NAPNT/YH-110-30-□ (-T/O)	136.2	30	58	50	95.5

※□ in the table indicates the cup material.
 ※ The weight value is when NR (Natural rubber) / without connector selected.

NAPNT/YH-111



Model number	D	E	F	G	Weight(g)
NAPNT/YH-111-6-□ (-T/O)	89.2	6			66.5
NAPNT/YH-111-15-□ (-T/O)	98.2	15	36	28	71.5
NAPNT/YH-111-30-□ (-T/O)	135.2	30	58	50	95.5

※□ in the table indicates the cup material.
 ※ The weight value is when NR (Natural rubber) / without connector selected.

Common Specifications

Symbol	Connector Weight(g)	
	Tube O.D φ 6	
T	1.5	
O	4.0	

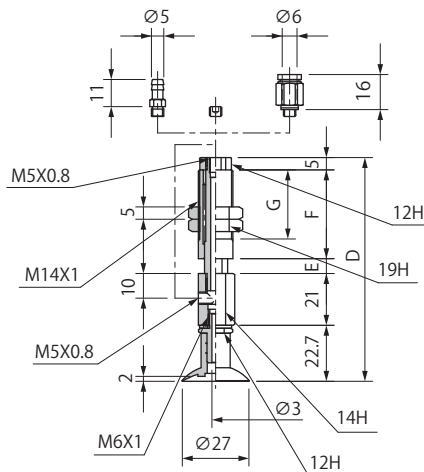
NAPNTH·YH Cup with Non-rotation Spring Fitting

Suction Cup Cup with Thin Lip

Dimensions

(mm)

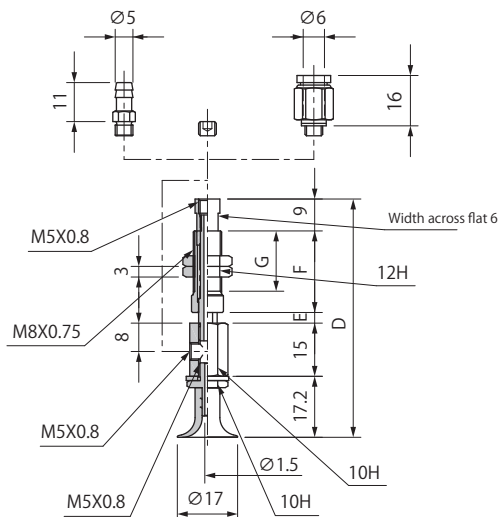
NAPNT/YH-112



Model number	D	E	F	G	Weight(g)
NAPNT/YH-112-6-□ (-T/O)	90.7	6	36	28	67
NAPNT/YH-112-15-□ (-T/O)	99.7	15			72
NAPNT/YH-112-30-□ (-T/O)	136.7	30	58	50	96

※□ in the table indicates the cup material.
 ※ The weight value is when NR (Natural rubber) / without connector selected.

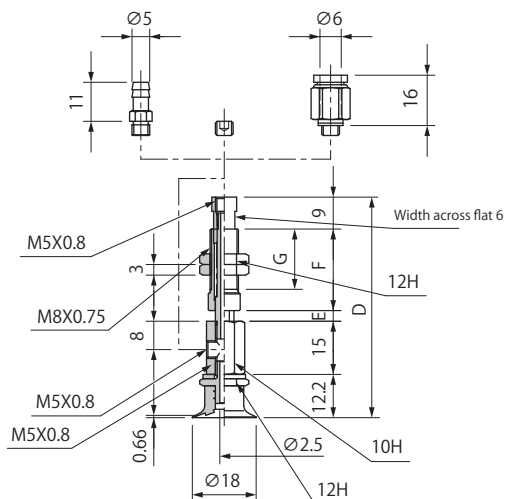
NAPNT/YH-114



Model number	D	E	F	G	Weight(g)
NAPNT/YH-114-3-□ (-T/O)	67.2	3	23	17	21
NAPNT/YH-114-10-□ (-T/O)	74.2	10			21.5
NAPNT/YH-114-15-□ (-T/O)	86.7	15	30.5	24.5	24.5

※□ in the table indicates the cup material.
 ※ The weight value is when NR (Natural rubber) / without connector selected.

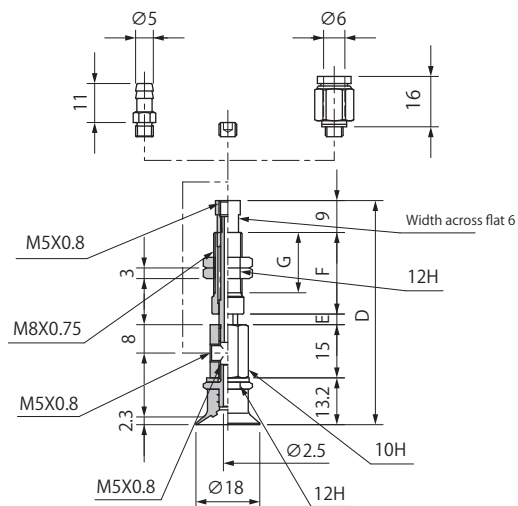
NAPNT/YH-116



Model number	D	E	F	G	Weight(g)
NAPNT/YH-116-3-□ (-T/O)	62.2	3	23	17	22
NAPNT/YH-116-10-□ (-T/O)	69.2	10			22.5
NAPNT/YH-116-15-□ (-T/O)	81.7	15	30.5	24.5	25.5

※□ in the table indicates the cup material.
 ※ The weight value is when S (Silicone rubber) / without connector selected.

NAPNT/YH-117



Model number	D	E	F	G	Weight(g)
NAPNT/YH-117-3-□ (-T/O)	63.2	3	23	17	22
NAPNT/YH-117-10-□ (-T/O)	70.2	10			22.5
NAPNT/YH-117-15-□ (-T/O)	82.7	15	30.5	24.5	25.5

※□ in the table indicates the cup material.
 ※ The weight value is when S (Silicone rubber) / without connector selected.

Common Specifications

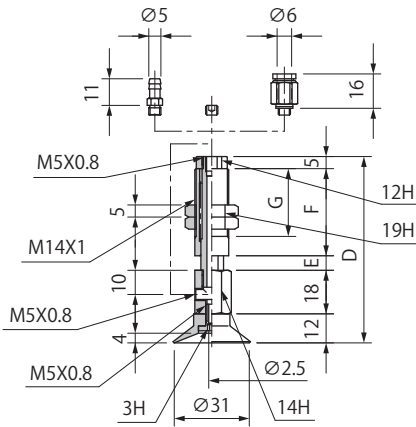
Connector Weight(g)

Symbol	Tube O.D φ 6
T	1.5
O	4.0

Dimensions

(mm)

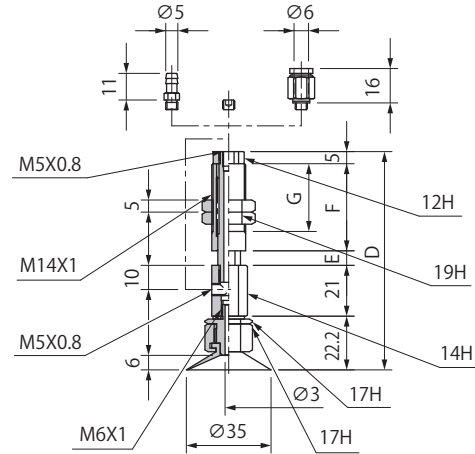
NAPNT/YH-121



Model number	D	E	F	G	Weight(g)
NAPNT/YH-121-6-□ (-T/O)	77	6	36	28	64
NAPNT/YH-121-15-□ (-T/O)	86	15			69
NAPNT/YH-121-30-□ (-T/O)	123	30	58	50	93

※□ in the table indicates the cup material.
※ The weight value is when S (Silicone rubber) / without connector selected.

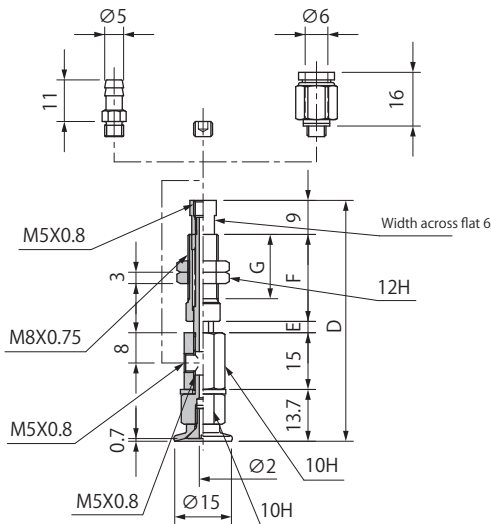
NAPNT/YH-122



Model number	D	E	F	G	Weight(g)
NAPNT/YH-122-6-□ (-T/O)	90.2	6	36	28	86.5
NAPNT/YH-122-15-□ (-T/O)	99.2	15			91.5
NAPNT/YH-122-30-□ (-T/O)	136.2	30	58	50	115.5

※□ in the table indicates the cup material.
※ The weight value is when NBR (Nitrile rubber) / without connector selected.

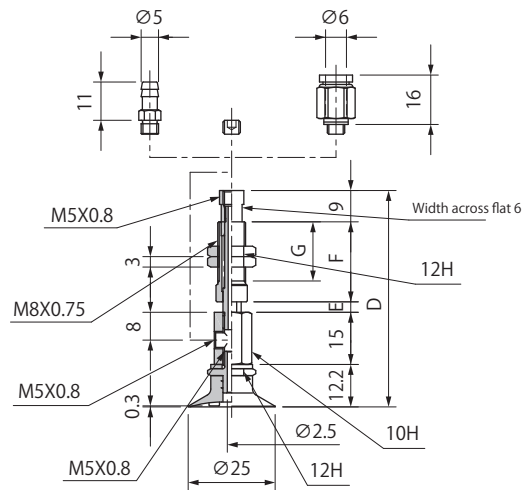
NAPNT/YH-123



Model number	D	E	F	G	Weight(g)
NAPNT/YH-123-3-□ (-T/O)	63.7	3			25
NAPNT/YH-123-10-□ (-T/O)	70.7	10	23	17	25.5
NAPNT/YH-123-15-□ (-T/O)	83.2	15	30.5	24.5	28.5

※□ in the table indicates the cup material.
※ The weight value is when NR (Natural rubber) / without connector selected.

NAPNT/YH-125



Model number	D	E	F	G	Weight(g)
NAPNT/YH-125-3-□ (-T/O)	62.2	3			22.5
NAPNT/YH-125-10-□ (-T/O)	69.2	10	23	17	23
NAPNT/YH-125-15-□ (-T/O)	81.7	15	30.5	24.5	26

※□ in the table indicates the cup material.
※ The weight value is when U (Urethane rubber) / without connector selected.

Common Specifications

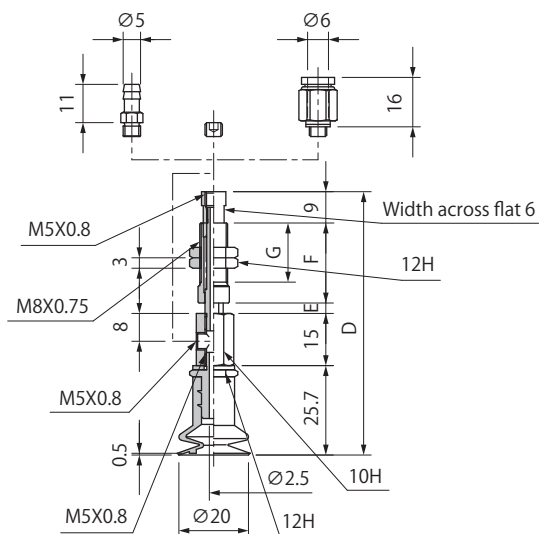
Symbol	Tube O.D φ 6
T	1.5
O	4.0

NAPNTH·YH Cup with Non-rotation Spring Fitting

Dimensions

(mm)

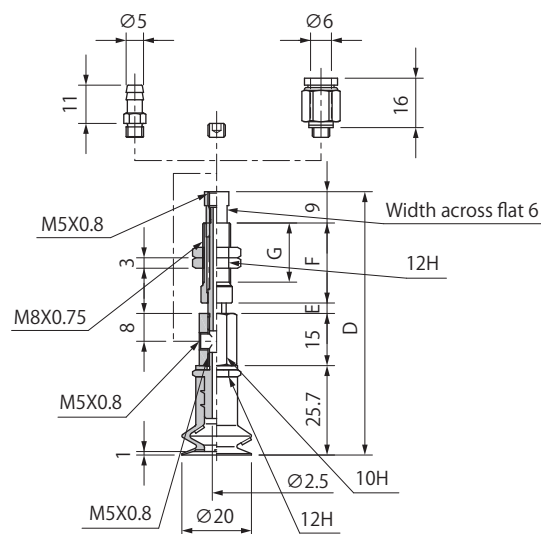
NAPNT/YH-130A



Model number	D	E	F	G	Weight(g)
NAPNT/YH-130A-3-□ (-T/O)	75.7	3	23	17	26
NAPNT/YH-130A-10-□ (-T/O)	82.7	10			26.5
NAPNT/YH-130A-15-□ (-T/O)	95.5	15	30.5	24.5	29.5

※□ in the table indicates the cup material.
 ※ The weight value is when NBR (Nitrile rubber) / without connector selected.

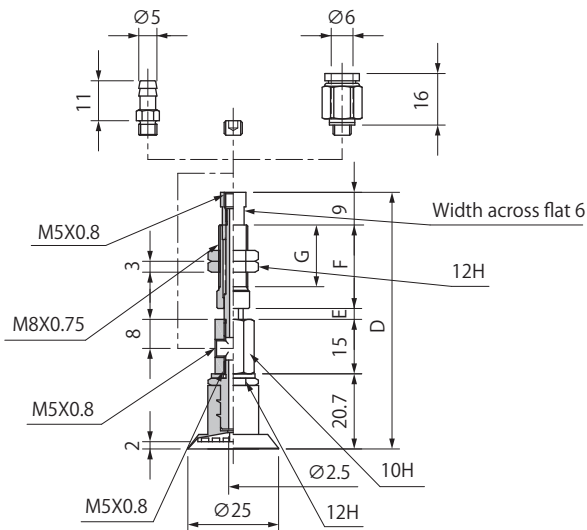
NAPNT/YH-130B



Model number	D	E	F	G	Weight(g)
NAPNT/YH-130B-3-□ (-T/O)	75.7	3	23	17	26
NAPNT/YH-130B-10-□ (-T/O)	82.7	10			26.5
NAPNT/YH-130B-15-□ (-T/O)	95.2	15	30.5	24.5	29.5

※□ in the table indicates the cup material.
 ※ The weight value is when NBR (Nitrile rubber) / without connector selected.

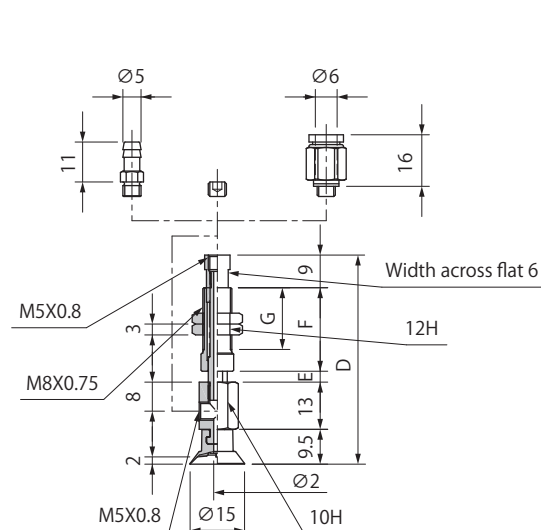
NAPNT/YH-131



Model number	D	E	F	G	Weight(g)
NAPNT/YH-131-3-□ (-T/O)	70.7	3	23	17	26
NAPNT/YH-131-10-□ (-T/O)	77.7	10			26.5
NAPNT/YH-131-15-□ (-T/O)	90.2	15	30.5	24.5	29.5

※□ in the table indicates the cup material.
 ※ The weight value is when NBR (Nitrile rubber) / without connector selected.

NAPNT/YH-132



Model number	D	E	F	G	Weight(g)
NAPNT/YH-132-3-□ (-T/O)	57.5	3	23	17	19.1
NAPNT/YH-132-10-□ (-T/O)	64.5	10			19.6
NAPNT/YH-132-15-□ (-T/O)	77	15	30.5	24.5	22.6

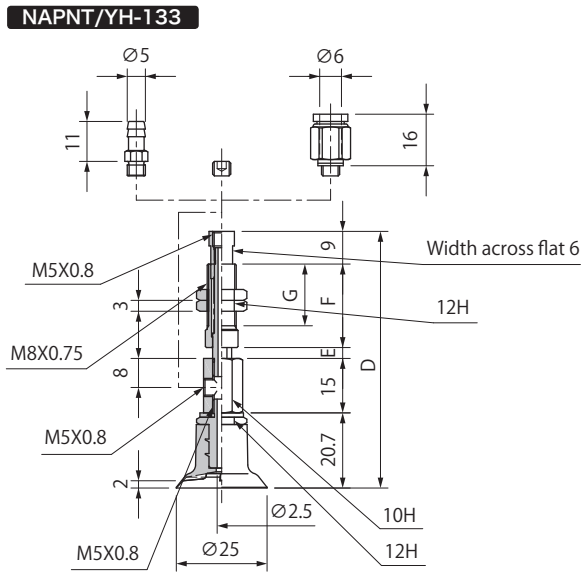
※□ in the table indicates the cup material.
 ※ The weight value is when NBR (Nitrile rubber) / without connector selected.

Common Specifications

Connector Weight(g)	
Symbol	Tube O.D φ 6
T	1.5
O	4.0

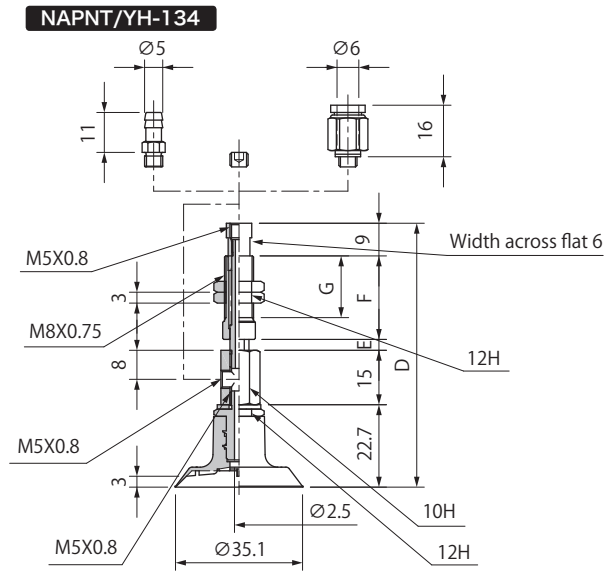
Dimensions

(mm)



Model number	D	E	F	G	Weight(g)
NAPNT/YH-133-3-□ (-T/O)	70.7	3	23	17	27.1
NAPNT/YH-133-10-□ (-T/O)	77.7	10			27.6
NAPNT/YH-133-15-□ (-T/O)	90.2	15	30.5	24.5	30.6

※□ in the table indicates the cup material.
 ※ The weight value is when NBR (Nitrile rubber) / without connector selected.



Model number	D	E	F	G	Weight(g)
NAPNT/YH-134-3-□ (-T/O)	72.7	3		17	28
NAPNT/YH-134-10-□ (-T/O)	79.7	10	23		28.5
NAPNT/YH-134-15-□ (-T/O)	92.2	15	30.5	24.5	31.5

※□ in the table indicates the cup material.
 ※ The weight value is when NBR (Nitrile rubber) / without connector selected.

Common Specifications

Connector Weight(g)	
Symbol	Tube O.D φ 6
T	1.5
O	4.0