

# PN-B Series

## Cup for Pouch Film 2 Bellows Type



Excellent followability and grip performance.  
Suitable for high-speed handling by the robot!



Bags products



Liquid filled bag



Instant liquid soup

Optimal size for pouch film.

φ18

φ25

φ35

Material · hardness can be selected.

○ FDA-compatible silicone rubber line up


Silicone rubber hardness 30

Silicone rubber hardness 40



Nitrile rubber hardness 55

- PA
- PB
- PC
- PCD
- PD
- PF
- PFO
- PH
- PJ
- CORE
- PK2
- PK2B
- PK2L
- PL
- PN
- PN-B**
- PP
- PQ
- PR
- PU
- PW
- RA
- SM
- TN

Suction Cup

<p>PNG</p> 	<p>Cup size (mm) φ18, 25, 35</p>		<p>P.429</p>
--	--------------------------------------	--	--------------

Fitting

Type	Applicable cup size (mm)	Stroke (mm)	Vacuum port	Piping · Connector	Page
<p>Cup with fixed fitting PN-□ - M</p> 	<p>φ18, 25, 35</p>	<p>N/A</p>	<p>Top</p>	<p>Male screw</p>	<p>P.431</p>
<p>Cup with fixed fitting PN-□ - F</p> 	<p>φ18, 25, 35</p>	<p>N/A</p>	<p>Top</p>	<p>Female screw</p>	<p>P.431</p>

Suction Cup Selection Guide → P.163

- PA
- PB
- PC
- PCD
- PD
- PF
- PFO
- PH
- PJ
- CORE
- PK2
- PK2B
- PK2L
- PL
- PN
- PN-B**
- PP
- PQ
- PR
- PU
- PW
- RA
- SM
- TN

# PNG-B Cup for Pouch Film 2 Bellows Type

## How to Order



PNG — 134B — S3

①

②

① Cup Size (mm)

② Cup Rubber Material

Symbol	Cup size
132B	φ 18
133B	φ 25
134B	φ 35

Symbol	Material
N	NBR(Nitrile rubber)
S3	Silicone rubber hardness 30
S4	Silicone rubber hardness 40

※Please consult with us for other material.

## Cup Rubber Material Standard Specifications

Symbol	Material	Hardness (A/s)	Ambient temperature (°C)	Color
N	NBR(Nitrile rubber)	55	-26 ~ 120	Black
S3	Silicone rubber	30	-60 ~ 250	Translucent white
S4	Silicone rubber	40		Light blue

## Applicable Rubber Material Table

Material	Color	Symbol	Round type		
			18	25	35
NBR(Nitrile rubber)	Black	N	●	●	●
Silicone rubber hardness 30	Translucent white	S3	●	●	●
Silicone rubber hardness 40	Light blue	S4	●	●	●

● : In stock   ○ Made to order   × : None

※Please consult with us for other material.

Suction Cup  
Cup for Pouch Film  
2 Bellows Type

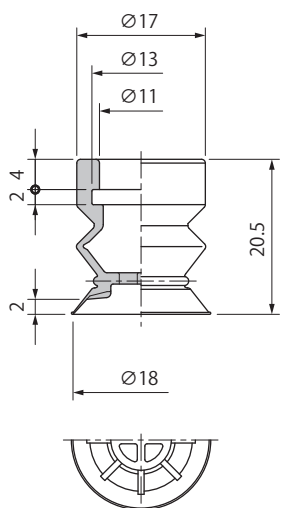
02  
Suction Cup

- PA
- PB
- PC
- PCD
- PD
- PF
- PFO
- PH
- PJ
- CORE
- PK2
- PK2B
- PK2L
- PL
- PN
- PN-B**
- PP
- PQ
- PR
- PU
- PW
- RA
- SM
- TN

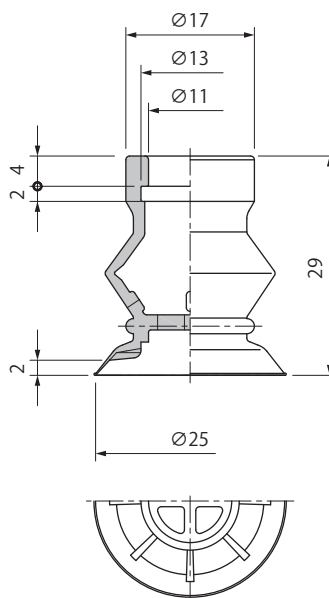
Dimensions

(mm)

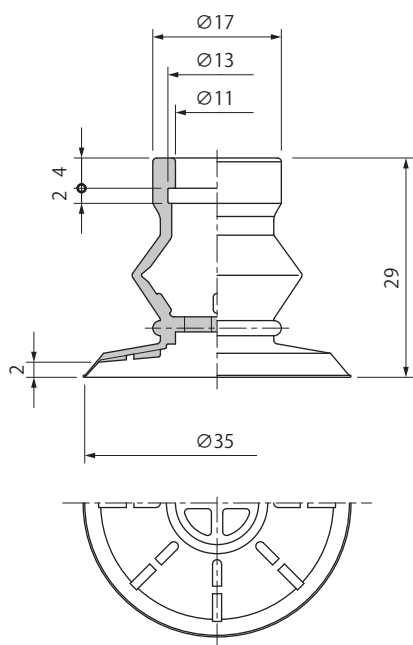
**PNG-132B**



**PNG-133B**



**PNG-134B**



Weight

(g)

Model \ Material	N	S3	S4
PNG-132B	2.0	1.7	1.8
PNG-133B	3.4	2.9	3.1
PNG-134B	4.0	3.4	3.4

# PN-B Cup with Fixed Fitting

## Male Screw



Simple construction of the cup and the screw.

## Female Screw



φ18, 25, 35mm



Screw and the cup can be disassembled

One touch mounting  
into setting screw  
Easily maintenance and  
replaced



Model number	Cup	Setting screw	Screw size
PN-132B-M5-M-□(-F)	PNG-132B-□	PN-134B-M5-M-K (-F)	M5
PN-132B-M8-M-□(-F)		PN-134B-M8-M-K (-F)	M8
PN-132B-G1-M-□(-F)		PN-134B-G1-M-K (-F)	G1/8
PN-132B-G2-M-□(-F)		PN-134B-G2-M-K (-F)	G1/4
PN-133B-M5-M-□(-F)	PNG-133B-□	PN-134B-M5-M-K (-F)	M5
PN-133B-M8-M-□(-F)		PN-134B-M8-M-K (-F)	M8
PN-133B-G1-M-□(-F)		PN-134B-G1-M-K (-F)	G1/8
PN-133B-G2-M-□(-F)		PN-134B-G2-M-K (-F)	G1/4
PN-134B-M5-M-□(-F)	PNG-134B-□	PN-134B-M5-M-K (-F)	M5
PN-134B-M8-M-□(-F)		PN-134B-M8-M-K (-F)	M8
PN-134B-G1-M-□(-F)		PN-134B-G1-M-K (-F)	G1/8
PN-134B-G2-M-□(-F)		PN-134B-G2-M-K (-F)	G1/4

Model number	Cup	Setting screw	Screw size
PN-132B-G1-F-□(-F)	PNG-132B-□	PN-134B-G1-F-K (-F)	G1/8
PN-132B-G2-F-□(-F)		PN-134B-G2-F-K (-F)	G1/4
PN-133B-G1-F-□(-F)	PNG-133B-□	PN-134B-G1-F-K (-F)	G1/8
PN-133B-G2-F-□(-F)		PN-134B-G2-F-K (-F)	G1/4
PN-134B-G1-F-□(-F)	PNG-134B-□	PN-134B-G1-F-K (-F)	G1/8
PN-134B-G2-F-□(-F)		PN-134B-G2-F-K (-F)	G1/4

※□ in the table indicates the cup material.

※□ in the table indicates the cup material.

## How to Order

PN - 134B - G1 - M - S3 - F

① Cup Size (mm)

Symbol	Cup size
132B	φ18
133B	φ25
134B	φ35

② Screw Size

Symbol	Size
M5 <sup>Note1</sup>	M5
M8 <sup>Note1</sup>	M8
G1	G1/8
G2	G1/4

Note1) Male screw only (M in ③).

③ Screw Type

Symbol	Type
M	Male screw
F	Female screw

⑤ Filter

Symbol	Material
F	With
Blank	N/A

④ Cup Rubber Material

Symbol	Material
N	NBR(Nitrile rubber)
S3	Silicone rubber hardness 30
S4	Silicone rubber hardness 40

※ Please consult with us for other material.

## Screw Specifications

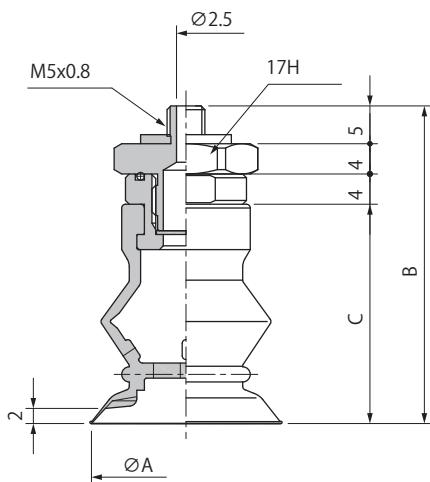
Cup Size	φ18	φ25	φ35
Male screw	M5, M8, G1/8, G1/4		
Female screw	G1/8, G1/4		
Material	Aluminum		
Filter	SUS (MESH60) <sup>Note1</sup>		
Packing	NBR		

Note1) When selecting with filter.

Dimensions

(mm)

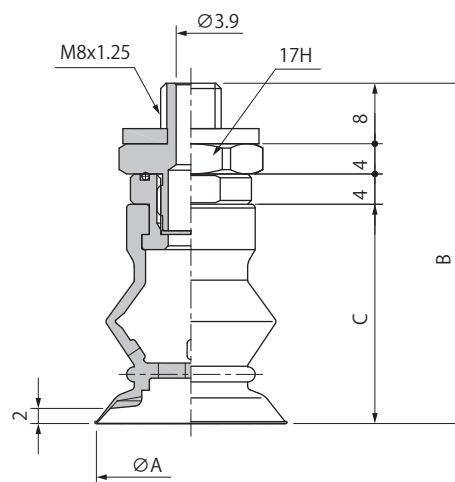
PN-132B/133B/134B-M5-M



Model number	A	B	C	Weight (g)
PN-132B-M5-M-□-(F)	18	33.5	20.5	8.4
PN-133B-M5-M-□-(F)	25	42	29	9.8
PN-134B-M5-M-□-(F)	35			10.4

※ □ in the table indicates the cup material.  
※ The weight value is when NBR (Nitrile rubber) is selected.

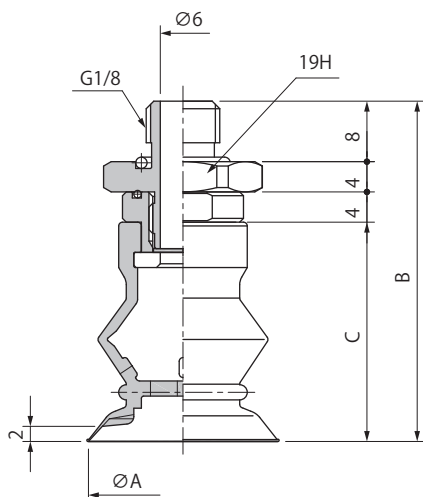
PN-132B/133B/134B-M8-M



Model number	A	B	C	Weight (g)
PN-132B-M8-M-□-(F)	18	36.5	20.5	10.4
PN-133B-M8-M-□-(F)	25	45	29	11.8
PN-134B-M8-M-□-(F)	35			12.4

※ □ in the table indicates the cup material.  
※ The weight value is when NBR (Nitrile rubber) is selected.

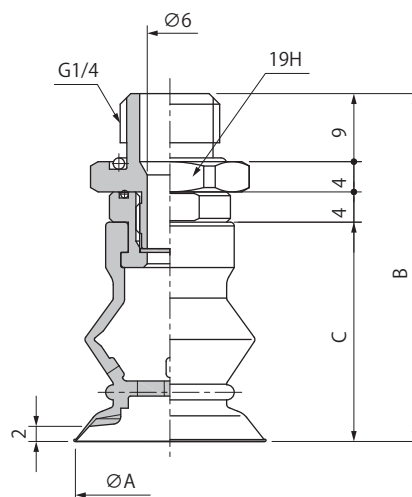
PN-132B/133B/134B-G1-M



Model number	A	B	C	Weight (g)
PN-132B-G1-M-□-(F)	18	36.5	20.5	8.7
PN-133B-G1-M-□-(F)	25	45	29	10.1
PN-134B-G1-M-□-(F)	35			10.7

※ □ in the table indicates the cup material.  
※ The weight value is when NBR (Nitrile rubber) is selected.

PN-132B/133B/134B-G2-M



Model number	A	B	C	Weight (g)
PN-132B-G2-M-□-(F)	18	37.5	20.5	9.3
PN-133B-G2-M-□-(F)	25	46	29	10.7
PN-134B-G2-M-□-(F)	35			11.3

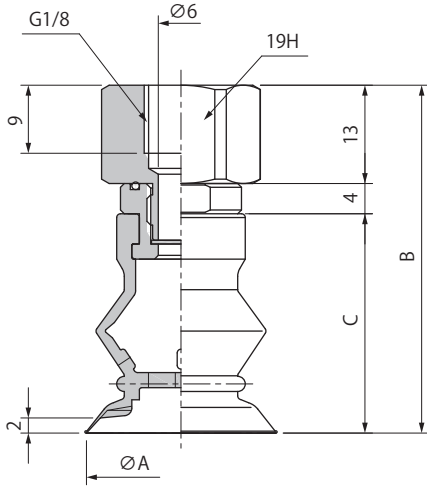
※ □ in the table indicates the cup material.  
※ The weight value is when NBR (Nitrile rubber) is selected.

# PN-B Cup with Fixed Fitting

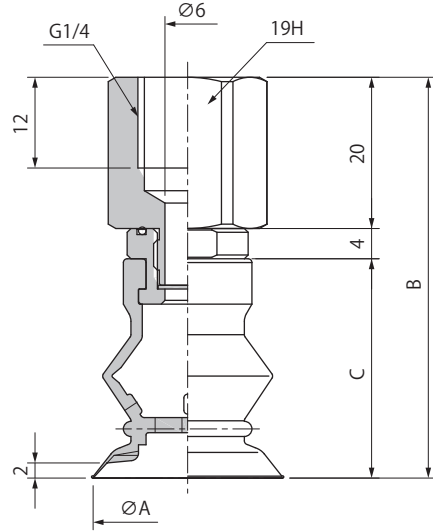
## Dimensions

(mm)

PN-132B/133B/134B-G1-F



PN-132B/133B/134B-G2-F



Model number	A	B	C	Weight (g)
PN-132B-G1-F-□-(F)	18	37.5	20.5	14.0
PN-133B-G1-F-□-(F)	25	46	29	15.4
PN-134B-G1-F-□-(F)	35			16.0

※ □ in the table indicates the cup material.  
 ※ The weight value is when NBR (Nitrile rubber) selected.

Model number	A	B	C	Weight (g)
PN-132B-G2-F-□-(F)	18	44.5	20.5	16.6
PN-133B-G2-F-□-(F)	25	53	29	18.0
PN-134B-G2-F-□-(F)	35			18.6

※ □ in the table indicates the cup material.  
 ※ The weight value is when NBR (Nitrile rubber) selected.

Suction Cup  
Cup for Pouch Film  
2 Bellows Type

02  
Suction Cup

- PA
- PB
- PC
- PCD
- PD
- PF
- PFO
- PH
- PJ
- CORE
- PK2
- PK2B
- PK2L
- PL
- PN
- PN-B**
- PP
- PQ
- PR
- PU
- PW
- RA
- SM
- TN