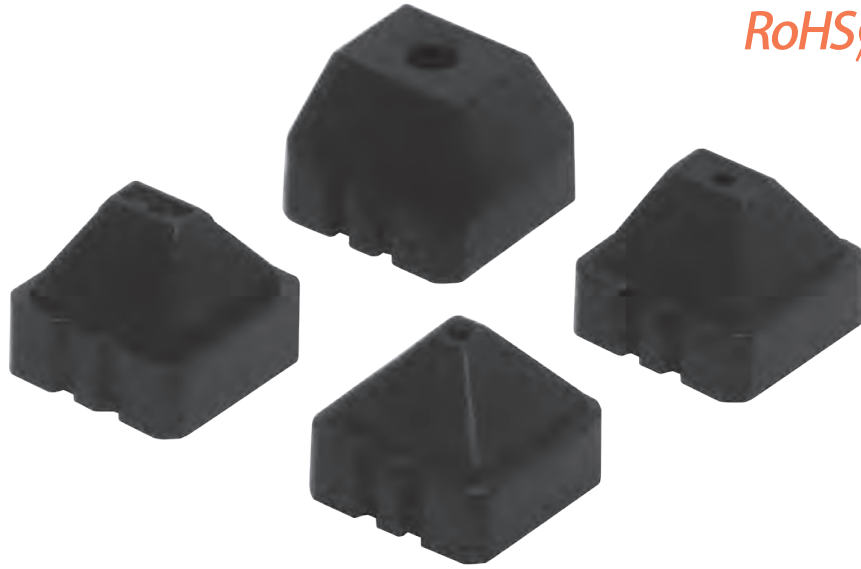
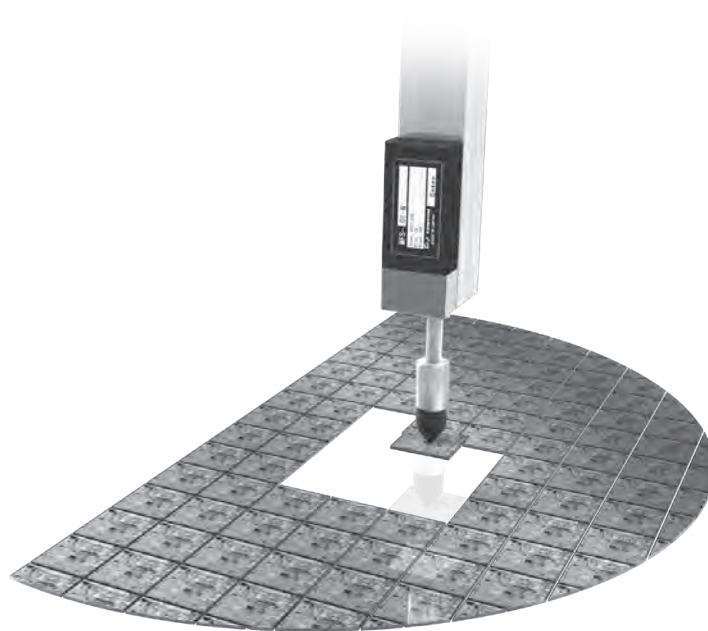


Cube Cup



Super-small suction cups shaped square ,
For small workpieces such as semiconductor chips !



Wide range of cup sizes.

0.55×0.55

0.5×1.3

0.8×1.6

1.3×2.8

2.0×2.8

PA

PB

PC

PCD

PD

PF

PFO

PH

PJ

CORE

PK2

PK2B

PK2L

PL

PN

PN-B

PP

PQ

PR

PU

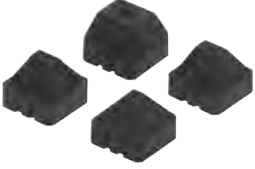
PW

RA



SM

TN

Suction Cup

 <p>PPG</p>	<p>Cup size (mm) 0.55X0.55 ~ 2.0X2.8</p>		<p>P.437</p>
--	--	--	--------------

Fitting

Fitting	Applicable cup size (mm)	Stroke (mm)	Vacuum port	Piping specifications	Page
 <p>PPH-001</p>	<p>All size</p>	<p>N/A</p>	<p>Top</p>	<p>φ 3 straight</p>	<p>P.439</p>
 <p>PPH-002</p>	<p>All size</p>	<p>N/A</p>	<p>Top</p>	<p>M3X0.5 (Male screw)</p>	<p>P.439</p>

Suction Cup Selection Guide → P.163

- PA
- PB
- PC
- PCD
- PD
- PF
- PFO
- PH
- PJ
- CORE
- PK2
- PK2B
- PK2L
- PL
- PN
- PN-B
- PP**
- PQ
- PR
- PU
- PW
- RA
- SM
- TN

How to Order

PPG — 001 — F

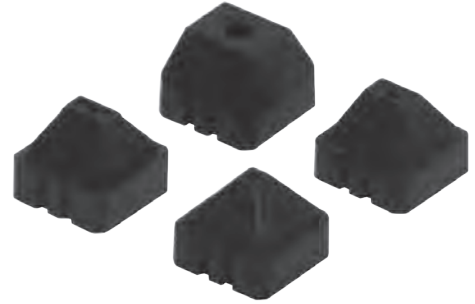
① Cup Size (mm)

Symbol	Cup size
001	0.55X0.55
002	0.5X1.3
003	0.8X1.6
004	1.3X2.8
005	2.0X2.8

② Cup Rubber Material

Symbol	Material
F	Fluorine rubber
FE	Conductive fluorine rubber

※Please consult with us for other material.



Cup Rubber Material Standard Specifications

Symbol	Material	Hardness (A/s)	Ambient temperature (°C)	Color	Volume resistivity ^{Note1.2}
F	Fluorine rubber	70	-10 ~ 230	Black with white dot	-
FE	Conductive fluorine rubber	70	0 ~ 200	Black	10 ⁴ ~ 10 ⁷ Ω · cm

Note1) Volume resistivity shows conductivity, resistance value is per cm³.

Note2) It is the measured value of in our designated test piece.

Applicable Rubber Material Table

Material	Color	Symbol	Cube type				
			001	002	003	004	005
Fluorine rubber	Black with white dot	F	●	●	●	●	●
Conductive fluorine rubber	Black	FE	●	●	●	●	●

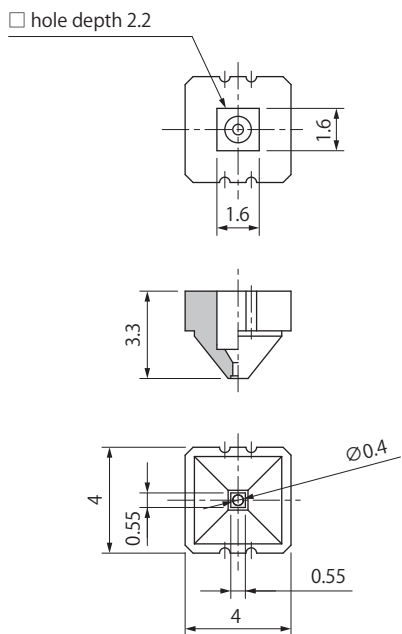
● : In stock ○ : Made to order × : None

※Please consult with us for other material.

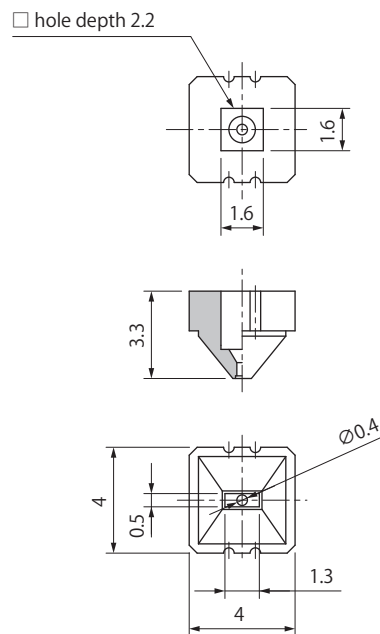
Dimensions

(mm)

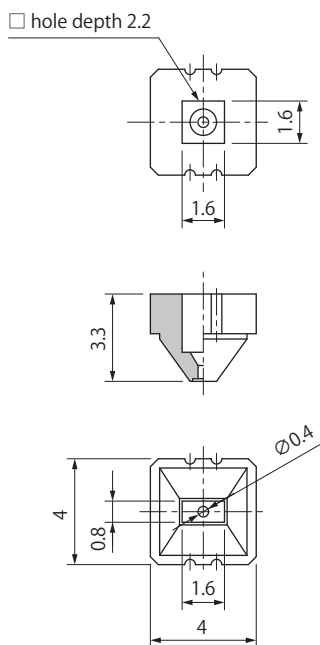
PPG-001



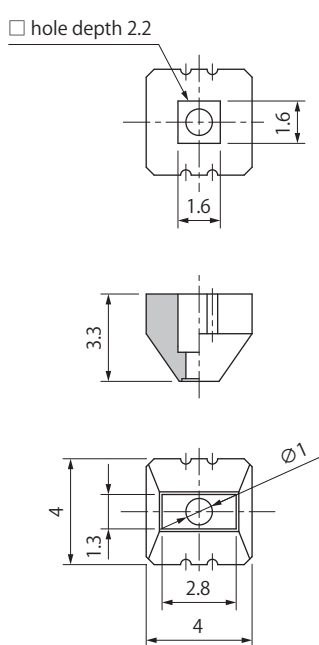
PPG-002



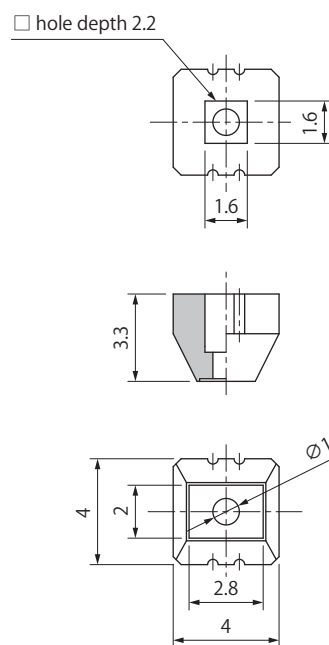
PPG-003



PPG-004



PPG-005



Weight

(g)

Model \ Material	F	FE
PPG-001	0.1	0.1
PPG-002	0.1	0.1
PPG-003	0.1	0.1
PPG-004	0.1	0.1
PPG-005	0.1	0.1

Symbol	Material
F	Fluorine rubber
FE	Conductive fluorine rubber

How to Order

PPH — 001

①

① Fitting Type

001	φ 3 straight
002	M3 X 0.5 (Male)



Fitting Specifications

Model number	Material	Weight (g)
PPH-001	Stainless	0.5
PPH-002		0.3

02

Suction Cup

PA

PB

PC

PCD

PD

PF

PFO

PH

PJ

CORE

PK2

PK2B

PK2L

PL

PN

PN-B

PP

PQ

PR

PU

PW

RA

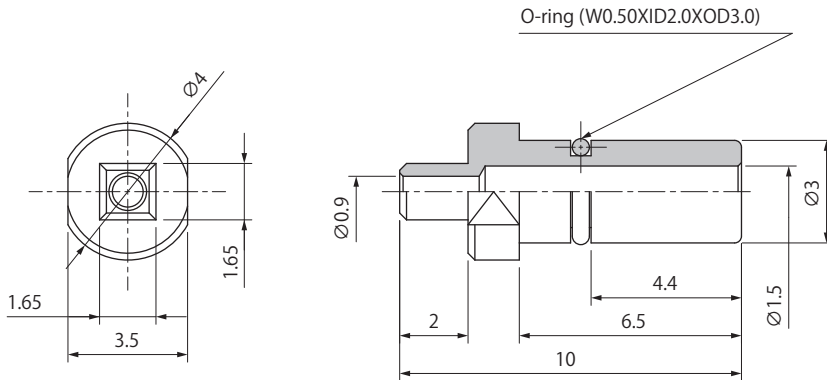
SM

TN

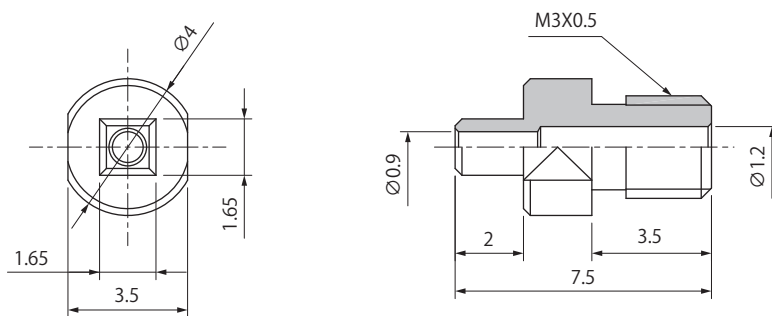
Dimensions

(mm)

PPH-001



PPH-002



02

Suction Cup

- PA
- PB
- PC
- PCD
- PD
- PF
- PFO
- PH
- PJ
- CORE
- PK2
- PK2B
- PK2L
- PL
- PN
- PN-B
- PP**
- PQ
- PR
- PU
- PW
- RA
- SM
- TN