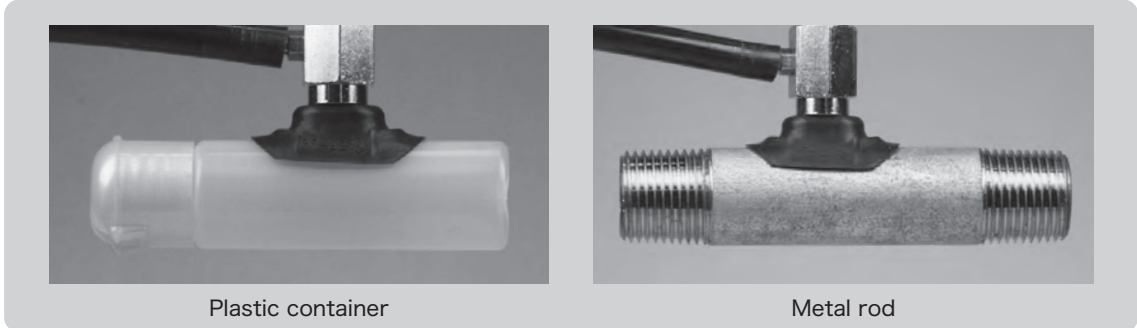


Cup for Round Bar



Cup specialized for round bars, for workpieces with cylindrical shape!



Plastic container

Metal rod

Wide range of cup sizes.

9.5×25

12.5×23

15×30

32×32

Various fittings for many kinds of applications.


Fixed fitting



Non-rotation spring fitting



Suction Cup

 <p>PRG</p>	<p>Cup size (mm) 9.5×25 ~ 32×32</p>		<p>P.449</p>
--	---	--	--------------

Fitting

Type	Applicable cup size (mm)	Stroke (mm)	Vacuum port	Piping · Connector	Page
<p>Cup with fixed fitting PRTK</p> 	<p>9.5×25 ~ 32×32</p>	<p>N/A</p>	<p>Top</p>	<p>Barb</p>	<p>P.451</p>
<p>Cup with fixed fitting PRYK</p> 	<p>9.5×25 ~ 32×32</p>	<p>N/A</p>	<p>Side</p>	<p>Barb</p>	<p>P.451</p>
<p>Cup with non-rotation spring fitting NAPRTH</p> 	<p>9.5×25 ~ 32×32</p>	<p>6, 15, 30</p>	<p>Top</p>	<p>Female screw Push-in Barb</p>	<p>P.455</p>
<p>Cup with non-rotation spring fitting NAPRYH</p> 	<p>9.5×25 ~ 32×32</p>	<p>6, 15, 30</p>	<p>Side</p>	<p>Female screw Push-in Barb</p>	<p>P.455</p>
<p>Setting screw</p> 	<p>9.5×25 ~ 32×32</p>	<p>-</p>	<p>-</p>	<p>-</p>	<p>P.503</p>

Suction Cup Selection Guide → P.163

02

Suction Cup

PA

PB

PC

PCD

PD

PF

PFO

PH

PJ

CORE

PK2

PK2B

PK2L

PL

PN

PN-B

PP

PQ

PR

PU

PW

RA

SM

TN

How to Order

PRG — 9.5X25 — N

①

②

① Cup Size
(diameter X length) mm

9.5X25
12.5X23
15X30
32X32

② Cup Rubber Material

Symbol	Material
N	NBR(Nitrile rubber)
S	Silicone rubber

※Please consult with us for other material.



Cup Rubber Material Standard Specifications

Symbol	Material	Hardness (A/s)	Ambient temperature (°C)	Color
N	NBR(Nitrile rubber)	55	-26 ~ 120	Black
S	Silicone rubber	55	-60 ~ 250	Translucent white

Applicable Rubber Material Table

Material	Color	Symbol	Oval type			
			9.5X25	12.5X23	15X30	32X32
NBR(Nitrile rubber)	Black	N	●	●	●	●
Silicone rubber	Translucent white	S	●	●	●	●

● : In stock ○ : Made to order × : None

※Please consult with us for other material.

02

Suction Cup

PA

PB

PC

PCD

PD

PF

PFO

PH

PJ

CORE

PK2

PK2B

PK2L

PL

PN

PN-B

PP

PQ

PR

PU

PW

RA

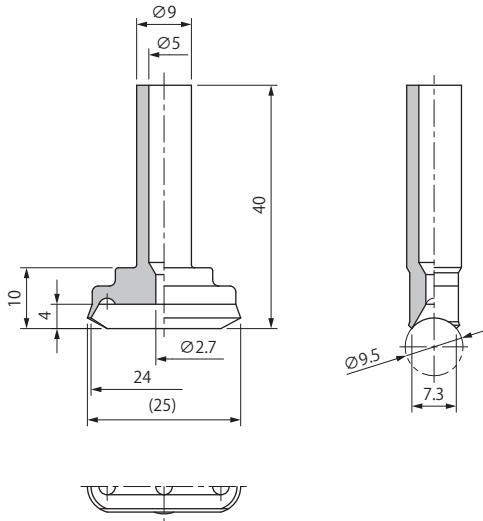
SM

TN

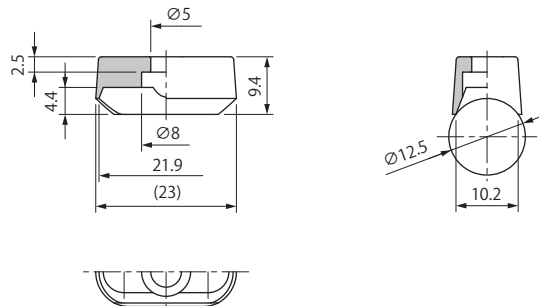
Dimensions

(mm)

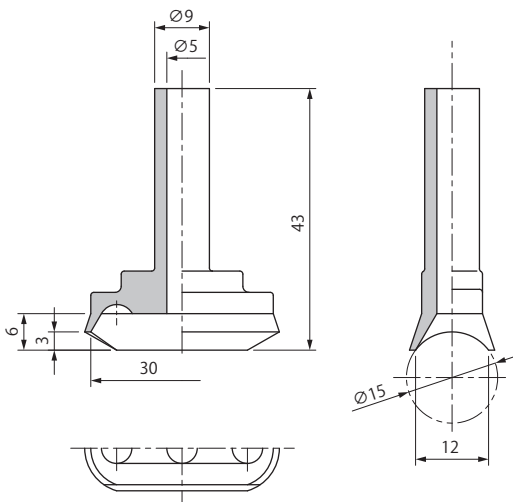
PRG-9.5X25



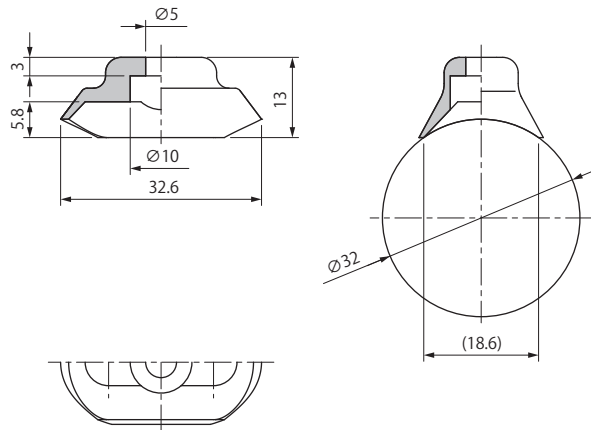
PRG-12.5X23



PRG-15X30



PRG-32X32



Weight

(g)

Model \ Material	N	S	Applicable setting screw (Screw specifications)
PRG-9.5X25	2.5	2.5	TN-PR-15-M5 (Male M5X0.8)
PRG-15X30	4.0	4.0	
PRG-12.5X23	1.3	1.3	TN-PF-15-M5 (Male M5X0.8)
PRG-32X32	1.9	1.9	TN-PF-20-M5 (Male M5X0.8)

Symbol	Material
N	NBR(Nitrile rubber)
S	Silicone rubber

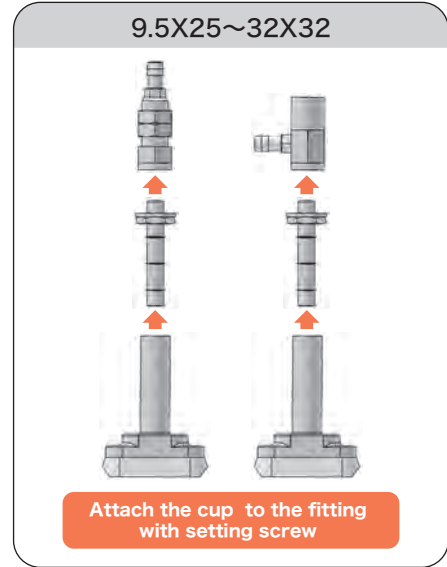
※Please refer to P.503 for setting screw detailed specifications.

PRTK·YK Cup with Fixed Fitting

Suction Cup
Cup for Round Bar



Consisting of fitting, setting screw, suction cup.



※ The setting screw for 12.5X23, 32X32 are different from image.

02

Suction Cup

PA

PB

PC

PCD

PD

PF

PFO

PH

PJ

CORE

PK2

PK2B

PK2L

PL

PN

PN-B

PP

PQ

PR

PU

PW

RA

SM

TN

How to order

PR **T** K - **9.5X25** - **N**

①

②

③

① Vacuum Port

T	Top
Y	Side

② Cup Size (diameter X length) mm

9.5X25
12.5X23
15X30
32X32

③ Cup Rubber Material

Symbol	Material
N	NBR(Nitrile rubber)
S	Silicone rubber

※Please consult with us for other material.

Combination Table

Top Port

Model number	Cup	Setting screw	Fitting	Piping specifications	
PRTK-9.5X25- □	PRG-9.5X25- □	TN-PR-15-M5	PFTK-15-K	Barb	φ6 X 4
PRTK-15X30- □	PRG-15X30- □				
PRTK-12.5X23- □	PRG-12.5X23- □	TN-PF-15-M5			
PRTK-32X32- □	PRG-32X32- □	TN-PF-20-M5			

※□ in the table indicates the cup material.

Side Port

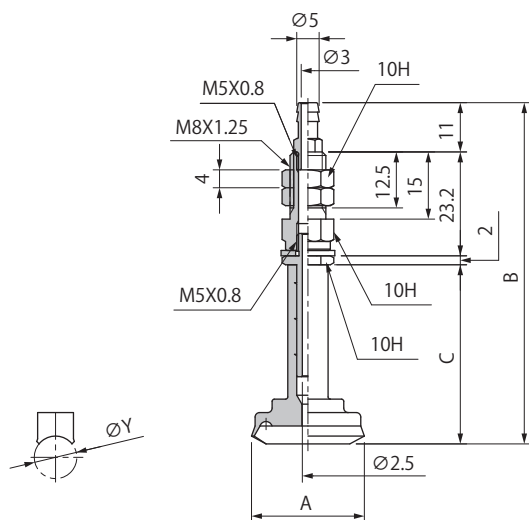
Model number	Cup	Setting screw	Fitting	Piping specifications	
PRYK-9.5X25- □	PRG-9.5X25- □	TN-PR-15-M5	PFYK-15-K	Barb	φ6 X 4
PRYK-15X30- □	PRG-15X30- □				
PRYK-12.5X23- □	PRG-12.5X23- □	TN-PF-15-M5			
PRYK-32X32- □	PRG-32X32- □	TN-PF-20-M5			

※□ in the table indicates the cup material.

Dimensions

(mm)

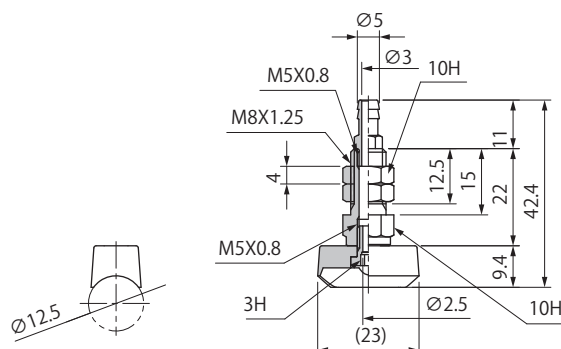
Top Port PRTK-9.5X25/15X30



Model number	A	B	C	Y	Weight (g)
PRTK-9.5X25-□	25	76.2	40	9.5	20
PRTK-15X30-□	32	79.2	43	15	21

※□ in the table indicates the cup material.
 ※ The weight value is when NBR (Nitrile rubber) is selected.

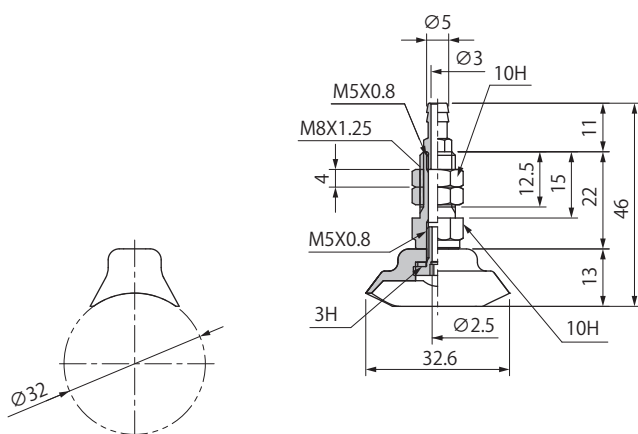
Top Port PRTK-12.5X23



Model number	Weight (g)
PRTK-12.5X23-□	14

※□ in the table indicates the cup material.
 ※ The weight value is when NBR (Nitrile rubber) is selected.

Top Port PRTK-32X32



Model number	Weight (g)
PRTK-32X32-□	15

※□ in the table indicates the cup material.
 ※ The weight value is when NBR (Nitrile rubber) is selected.

02
Suction Cup

PA

PB

PC

PCD

PD

PF

PFO

PH

PJ

CORE

PK2

PK2B

PK2L

PL

PN

PN-B

PP

PQ

PR

PU

PW

RA

SM

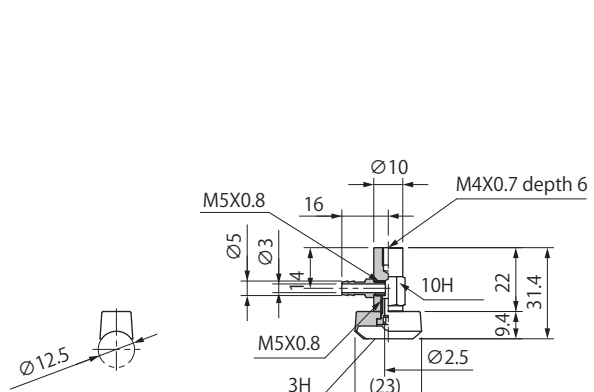
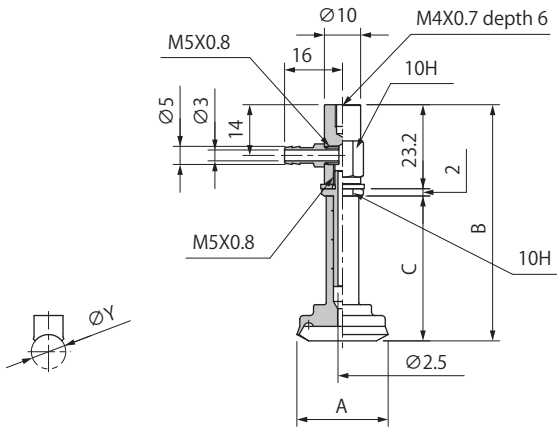
TN

Dimensions

(mm)

Side Port PRYK-9.5X25/15X30

Side Port PRYK-12.5X23



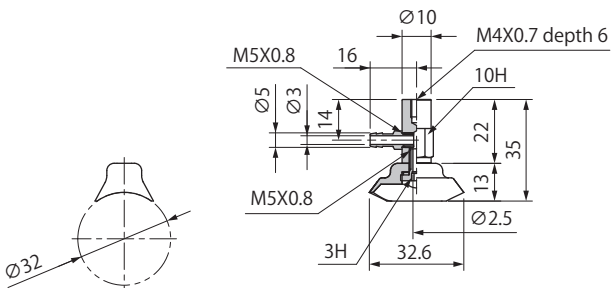
Model number	A	B	C	Y	Weight (g)
PRYK-9.5X25- □	25	65.2	40	9.5	23
PRYK-15X30- □	32	68.2	43	15	24

※□ in the table indicates the cup material.
 ※ The weight value is when NBR (Nitrile rubber) selected.

Model number	Weight (g)
PRYK-12.5X23- □	17

※□ in the table indicates the cup material.
 ※ The weight value is when NBR (Nitrile rubber) selected.

Side Port PRYK-32X32



Model number	Weight (g)
PRYK-32X32- □	18

※□ in the table indicates the cup material.
 ※ The weight value is when NBR (Nitrile rubber) selected.

02

Suction Cup

PA

PB

PC

PCD

PD

PF

PFO

PH

PJ

CORE

PK2

PK2B

PK2L

PL

PN

PN-B

PP

PQ

PR

PU

PW

RA

SM

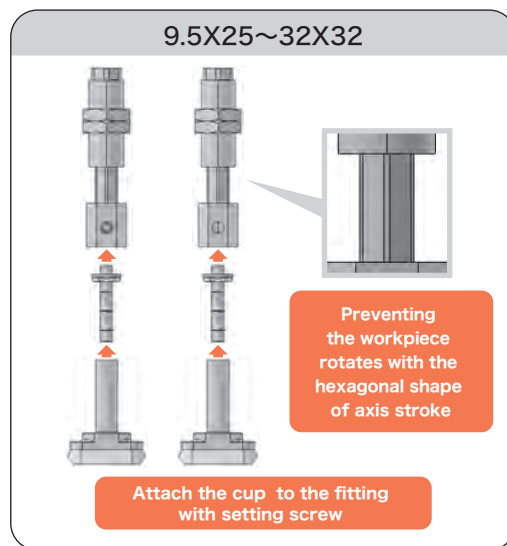
TN

NAPRTH·YH Cup with Non-rotation Spring Fitting

Suction Cup
Cup for Round Bar



Consisting of fitting, setting screw, suction cup.



※ The setting screw for 12.5X23, 32X32 are different from image.

How to Order

NAPR **T** **H** - **9.5X25-6** - **N** - **T**

① Vacuum Port

T	Top
Y	Side

② Cup Size (diameter X length) mm

9.5X25-6	15X30-6
9.5X25-15	15X30-15
9.5X25-30	15X30-30
12.5X23-6	32X32-6
12.5X23-15	32X32-15
12.5X23-30	32X32-30

③ Cup Rubber Material

Symbol	Material
N	NBR(Nitrile rubber)
S	Silicone rubber

※ Please consult with us for other material.

④ Connector

Blank	N/A
T	Barb
O	Push-in

Spring Specifications

Cup size	Unit	9.5X25~32X32		
Stroke	mm	6	15	30
Spring load at 0 stroke	N	2.45		2.9
Spring load at full stroke	N	3.43	4.9	5.88

Combination Table

Model Number	Cup	Setting Screw	Fitting	Piping Specifications		
				Without connector · Blank	Barb connector · T	Push-in connector · O
NAPR○H-9.5X25-6-□ (-T/O)	PRG-9.5X25-□	TN-PR-15-M5	NAPB○H-20-6-K (-T/O)	M5X0.8 (Female)	φ 6 X 4	
NAPR○H-9.5X25-15□ (-T/O)			NAPB○H-20-15-K (-T/O)			
NAPR○H-9.5X25-30-□ (-T/O)			NAPB○H-20-30-K (-T/O)			
NAPR○H-12.5X23-6-□ (-T/O)	PRG-12.5X23-□	TN-PF-15-M5	NAPB○H-20-6-K (-T/O)			
NAPR○H-12.5X23-15□ (-T/O)			NAPB○H-20-15-K (-T/O)			
NAPR○H-12.5X23-30-□ (-T/O)			NAPB○H-20-30-K (-T/O)			
NAPR○H-15X30-6-□ (-T/O)	PRG-15X30-□	TN-PR-15-M5	NAPB○H-20-6-K (-T/O)			
NAPR○H-15X30-15□ (-T/O)			NAPB○H-20-15-K (-T/O)			
NAPR○H-15X30-30-□ (-T/O)			NAPB○H-20-30-K (-T/O)			
NAPR○H-32X32-6-□ (-T/O)	PRG-32X32-□	TN-PF-20-M5	NAPB○H-20-6-K (-T/O)			
NAPR○H-32X32-15□ (-T/O)			NAPB○H-20-15-K (-T/O)			
NAPR○H-32X32-30-□ (-T/O)			NAPB○H-20-30-K (-T/O)			

※□ in the table indicates the cup material.

※○ in the table indicates the vacuum port (T or Y).

PA

PB

PC

PCD

PD

PF

PFO

PH

PJ

CORE

PK2

PK2B

PK2L

PL

PN

PN-B

PP

PQ

PR

PU

PW

RA

SM

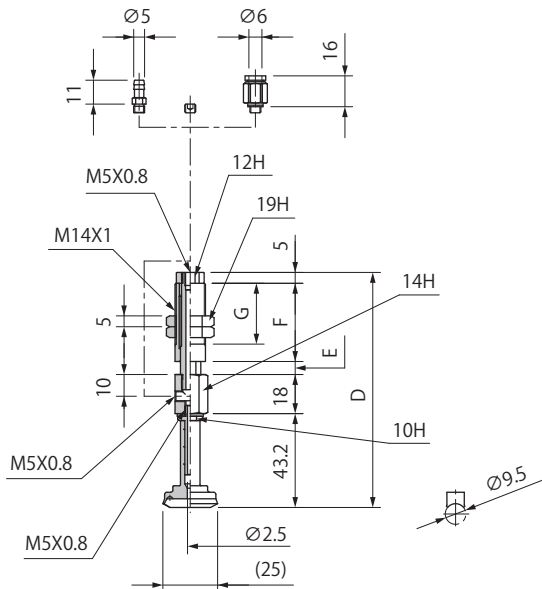
TN

NAPRTH·YH Cup with Non-rotation Spring Fitting

Dimensions

(mm)

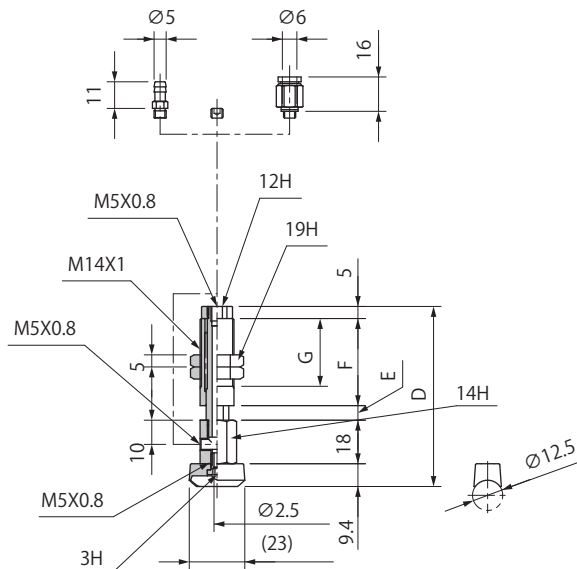
NAPRT/YH-9.5X25



Model number	D	E	F	G	Weight (g)
NAPRT/YH-9.5X25-6-□ (-T/O)	108.2	6	36	28	74.5
NAPRT/YH-9.5X25-15-□ (-T/O)	117.2	15	36	28	79.5
NAPRT/YH-9.5X25-30-□ (-T/O)	154.2	30	58	50	103.5

※□ in the table indicates the cup material.
 ※ The weight value is when NBR (Nitrile rubber) / without connector selected.

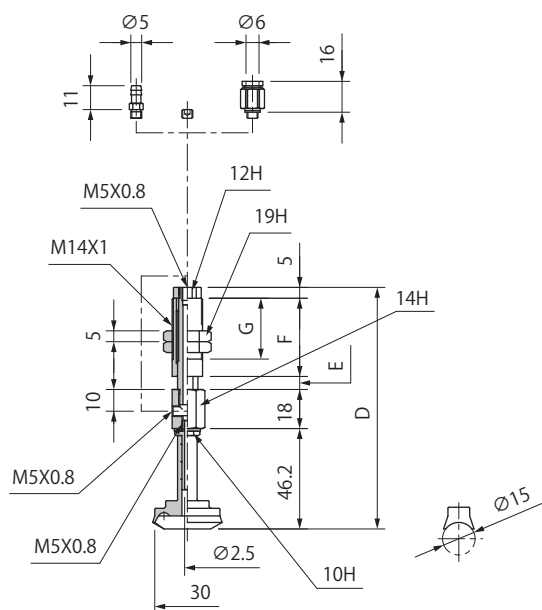
NAPRT/YH-12.5X23



Model number	D	E	F	G	Weight (g)
NAPRT/YH-12.5X23-6-□ (-T/O)	74.4	6	36	28	63.5
NAPRT/YH-12.5X23-15-□ (-T/O)	83.4	15	36	28	68.5
NAPRT/YH-12.5X23-30-□ (-T/O)	120.4	30	58	50	92.5

※□ in the table indicates the cup material.
 ※ The weight value is when NBR (Nitrile rubber) / without connector selected.

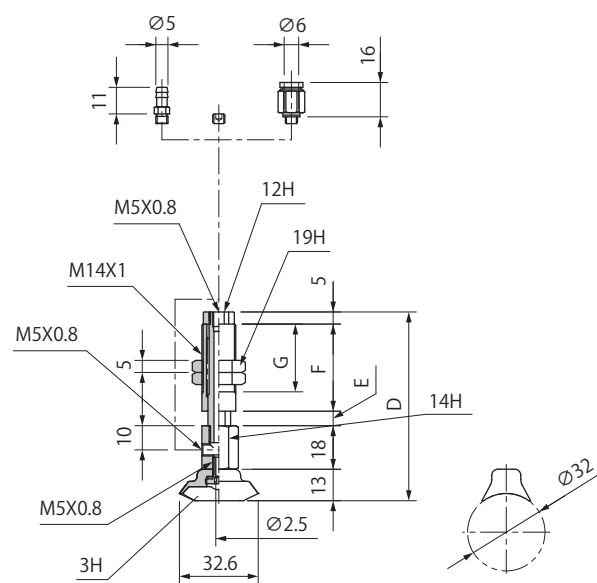
NAPRT/YH-15X30



Model number	D	E	F	G	Weight (g)
NAPRT/YH-15X30-6-□ (-T/O)	111.2	6	36	28	74
NAPRT/YH-15X30-15-□ (-T/O)	120.2	15	36	28	79
NAPRT/YH-15X30-30-□ (-T/O)	157.2	30	58	50	103

※□ in the table indicates the cup material.
 ※ The weight value is when NBR (Nitrile rubber) / without connector selected.

NAPRT/YH-32X32



Model number	D	E	F	G	Weight (g)
NAPRT/YH-32X32-6-□ (-T/O)	78	6	36	28	64
NAPRT/YH-32X32-15-□ (-T/O)	87	15	36	28	69
NAPRT/YH-32X32-30-□ (-T/O)	124	30	58	50	93

※□ in the table indicates the cup material.
 ※ The weight value is when NBR (Nitrile rubber) / without connector selected.

Common Specifications

Connector Weight(g)

Symbol	Tube O.D ϕ 6
T	1.5
O	4.0

PA

PB

PC

PCD

PD

PF

PFO

PH

PJ

CORE

PK2

PK2B

PK2L

PL

PN

PN-B

PP

PQ

PR

PU

PW

RA

SM

TN