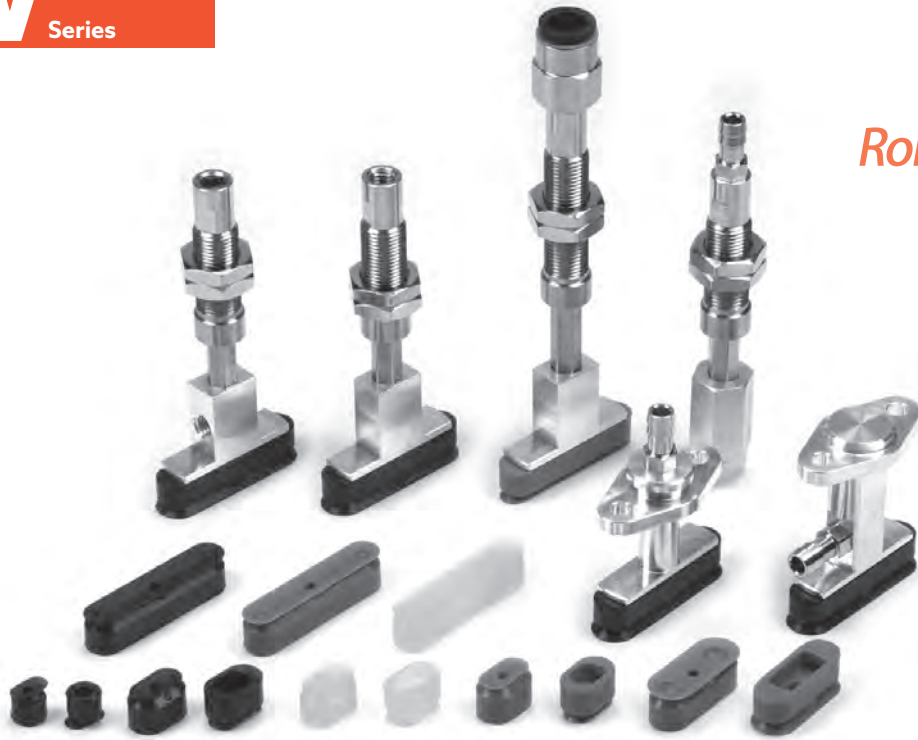


# Oval Cup



Suction cup with long and round shape  
Where gripping space is limited and when lifting force is desired!



Syringe

Hook

Ballpoint pen

Wide range of cup sizes.

3.5×7	4×10	4×20	4×30	5×10	5×20
5×30	6×10	6×20	6×30	8×20	8×30

Various fittings for many kinds of applications.



- PA
- PB
- PC
- PCD
- PD
- PF
- PFO
- PH
- PJ
- CORE
- PK2
- PK2B
- PK2L
- PL
- PN
- PN-B
- PP
- PQ
- PR
- PU
- PW**
- RA
- SM
- TN

Suction Cup

 <p>PWG</p>	<p>Cup size (mm) 3.5X7 ~ 8X30</p>		<p>P.485</p>
--	---------------------------------------	--	--------------

Fitting

Type	Applicable cup size (mm)	Stroke (mm)	Vacuum port	Piping · Connector	Page
<p>Cup with fixed fitting PWTK</p> 	<p>3.5X7 ~ 8X30</p>	<p>N/A</p>	<p>Top</p>	<p>Barb</p>	<p>P.489</p>
<p>Cup with fixed fitting PWYK</p> 	<p>3.5X7 ~ 8X30</p>	<p>N/A</p>	<p>Side</p>	<p>Barb</p>	<p>P.489</p>
<p>Cup with non-rotation spring fitting NAPWTH</p> 	<p>4X10 ~ 8X30</p>	<p>3, 10, 15</p>	<p>Top</p>	<p>Female screw Push-in Barb</p>	<p>P.493</p>
<p>Cup with non-rotation spring fitting NAPWYH</p> 	<p>4X10 ~ 8X30</p>	<p>3, 10, 15</p>	<p>Side</p>	<p>Female screw Push-in Barb</p>	<p>P.493</p>

Suction Cup Selection Guide → P.163

### How to Order



PWG — 3.5X7 — N

①

②

① Cup Size  
(Short diameter X long diameter) mm

3.5X7	5X30
4X10	6X10
4X20	6X20
4X30	6X30
5X10	8X20
5X20	8X30

② Cup Rubber Material

Symbol	Material
N	NBR(Nitrile rubber)
S	Silicone rubber
U	Urethane rubber

※ Please consult with us for other material.

### Cup Rubber Material Standard Specifications

Symbol	Material	Hardness (A/s)	Ambient temperature (°C)	Color
N	NBR (Nitrile rubber)	55	-26 ~ 120	Black
S	Silicone rubber	55	-60 ~ 250	Translucent white
U	Urethane rubber	55	-20 ~ 75	Blue

### Applicable Rubber Material Table

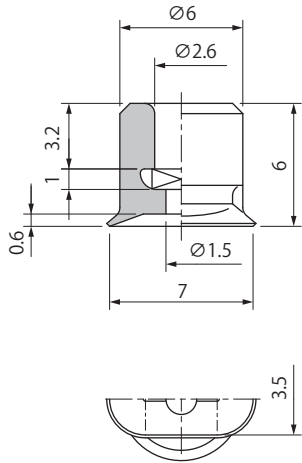
Material	Color	Symbol	Oval type											
			3.5X7	4X10	4X20	4X30	5X10	5X20	5X30	6X10	6X20	6X30	8X20	8X30
NBR (Nitrile rubber)	Black	N	●	●	●	●	●	●	●	●	●	●	●	●
Silicone rubber	Translucent white	S	●	●	●	●	●	●	●	●	●	●	●	●
Urethane rubber	Blue	U	●	●	●	●	●	●	●	●	●	●	●	●

● : In stock    ○ : Made to order    × : None  
 ※ Please consult with us for other material.

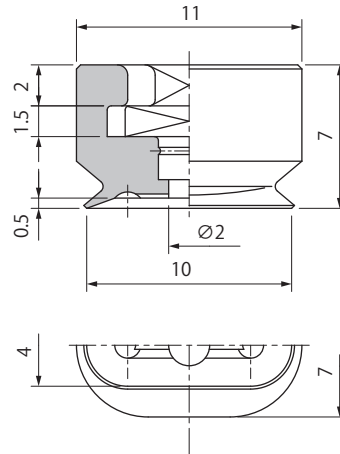
Dimensions

(mm)

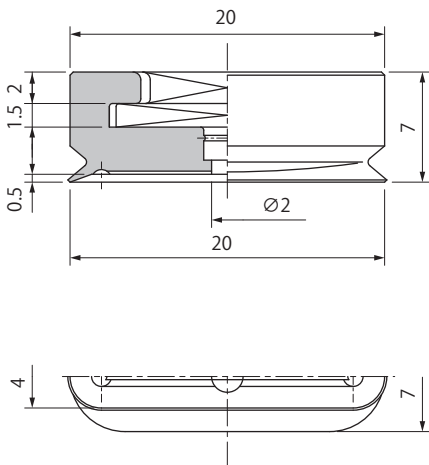
**PWG-3.5X7**



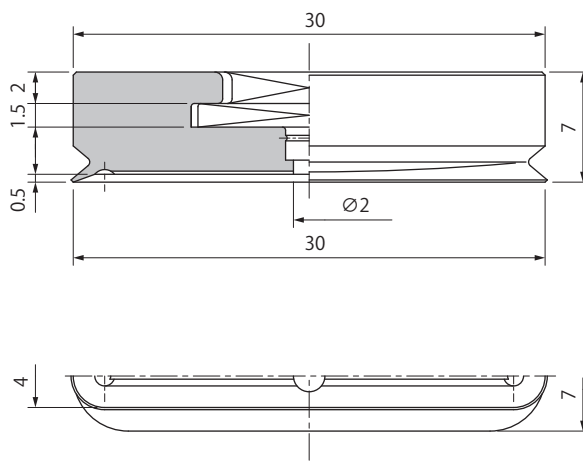
**PWG-4X10**



**PWG-4X20**



**PWG-4X30**



Weight

(g)

Model \ Material	N	S	U
PWG-3.5X7	0.2	0.2	0.2
PWG-4X10	0.4	0.4	0.4
PWG-4X20	0.7	0.7	0.7
PWG-4X30	1.2	1.2	1.3

Symbol	Material
N	NBR(Nitrile rubber)
S	Silicone rubber
U	Urethane rubber

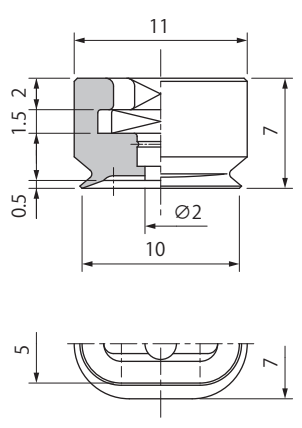
## PWG Oval Cup

Suction Cup Oval Cup

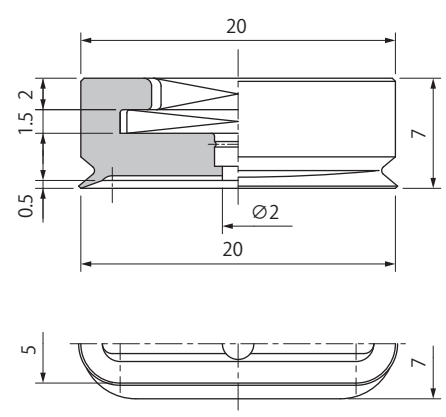
### Dimensions

(mm)

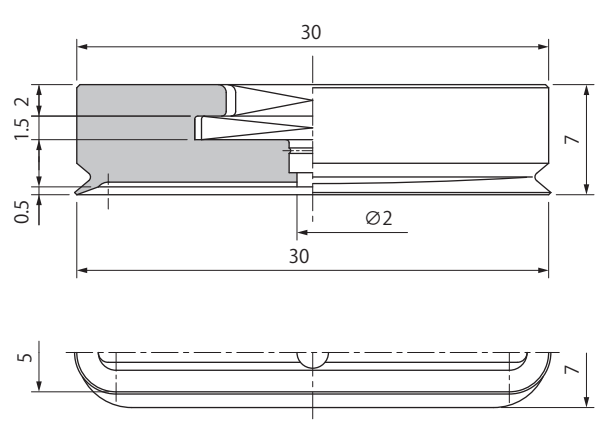
**PWG-5X10**



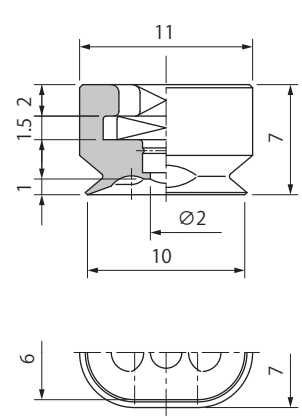
**PWG-5X20**



**PWG-5X30**



**PWG-6X10**



**02**  
Suction Cup

- PA
- PB
- PC
- PCD
- PD
- PF
- PFO
- PH
- PJ
- CORE
- PK2
- PK2B
- PK2L
- PL
- PN
- PN-B
- PP
- PQ
- PR
- PU
- PW**
- RA
- SM
- TN

### Weight

(g)

Model \ Material	N	S	U
PWG-5X10	0.4	0.4	0.4
PWG-5X20	0.7	0.7	0.7
PWG-5X30	1.2	1.2	1.3
PWG-6X10	0.4	0.4	0.4

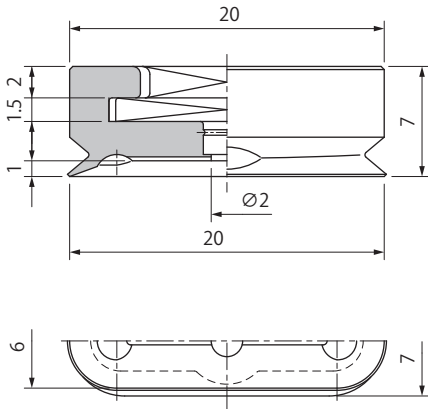
Symbol	Material
N	NBR(Nitrile rubber)
S	Silicone rubber
U	Urethane rubber

- PA
- PB
- PC
- PCD
- PD
- PF
- PFO
- PH
- PJ
- CORE
- PK2
- PK2B
- PK2L
- PL
- PN
- PN-B
- PP
- PQ
- PR
- PU
- PW**
- RA
- SM
- TN

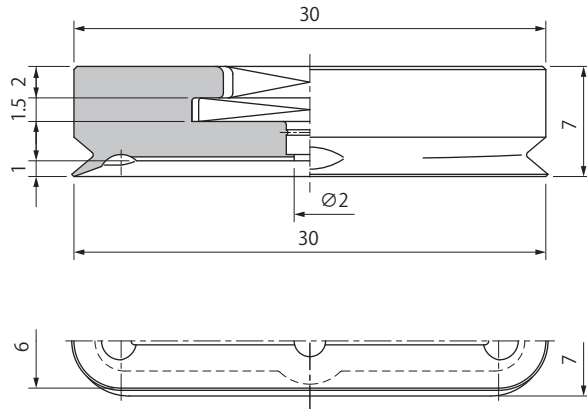
Dimensions

(mm)

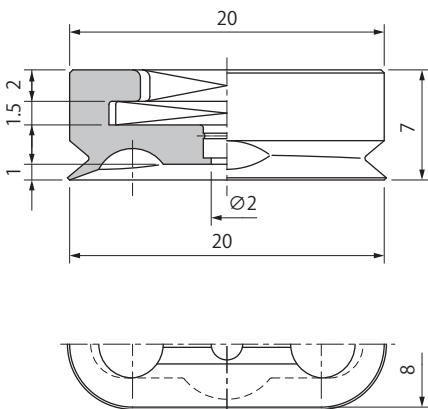
**PWG-6X20**



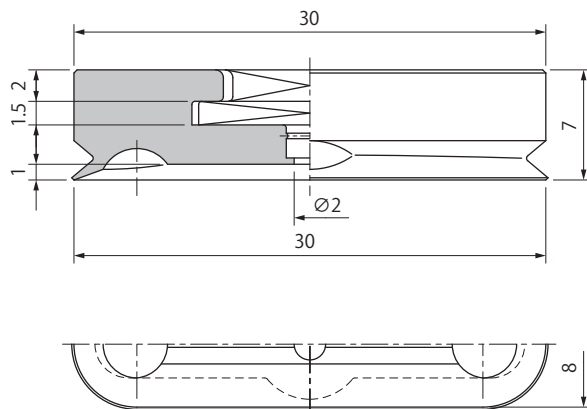
**PWG-6X30**



**PWG-8X20**



**PWG-8X30**



Weight

(g)

Model \ Material	N	S	U
PWG-6X20	0.7	0.7	0.7
PWG-6X30	1.1	1.1	1.2
PWG-8X20	0.7	0.7	0.7
PWG-8X30	1.1	1.1	1.2

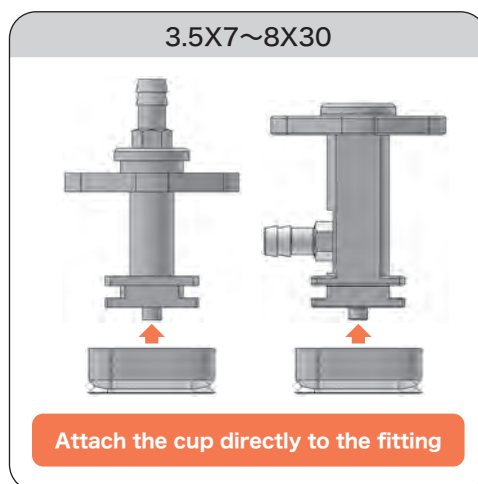
Symbol	Material
N	NBR(Nitrile rubber)
S	Silicone rubber
U	Urethane rubber

## PWTK·YK Cup with Fixed Fitting

Suction Cup  
Oval Cup



Consisting of fitting and suction cup.



### How to Order

PW **T** K - **3.5X7** - **N**

①

① Vacuum Port

T	Top
Y	Side

②

② Cup Size  
(Short diameter X long diameter) mm

3.5X7	5X30
4X10	6X10
4X20	6X20
4X30	6X30
5X10	8X20
5X20	8X30

③

③ Cup Rubber Material

Symbol	Material
N	NBR (Nitrile rubber)
S	Silicone rubber
U	Urethane rubber

※ Please consult with us for other material.

02  
Suction Cup

- PA
- PB
- PC
- PCD
- PD
- PF
- PFO
- PH
- PJ
- CORE
- PK2
- PK2B
- PK2L
- PL
- PN
- PN-B
- PP
- PQ
- PR
- PU
- PW**
- RA
- SM
- TN

## Combination Table

### Top Port

Model number	Cup	Fitting	Piping specifications	
PWTK-3.5X7- □	PWG-3.5X7- □	PWTK-3.5X7-K	Barb	φ6 X 4
PWTK-4X10- □	PWG-4X10- □	PWTK-4X10-K		
PWTK-4X20- □	PWG-4X20- □	PWTK-4X20-K		
PWTK-4X30- □	PWG-4X30- □	PWTK-4X30-K		
PWTK-5X10- □	PWG-5X10- □	PWTK-4X10-K		
PWTK-5X20- □	PWG-5X20- □	PWTK-4X20-K		
PWTK-5X30- □	PWG-5X30- □	PWTK-4X30-K		
PWTK-6X10- □	PWG-6X10- □	PWTK-4X10-K		
PWTK-6X20- □	PWG-6X20- □	PWTK-4X20-K		
PWTK-6X30- □	PWG-6X30- □	PWTK-4X30-K		
PWTK-8X20- □	PWG-8X20- □	PWTK-4X20-K		
PWTK-8X30- □	PWG-8X30- □	PWTK-4X30-K		

※□ in the table indicates the cup material.

### Side Port

Model number	Cup	Fitting	Piping specifications	
PWYK-3.5X7- □	PWG-3.5X7- □	PWYK-3.5X7-K	Barb	φ6 X 4
PWYK-4X10- □	PWG-4X10- □	PWYK-4X10-K		
PWYK-4X20- □	PWG-4X20- □	PWYK-4X20-K		
PWYK-4X30- □	PWG-4X30- □	PWYK-4X30-K		
PWYK-5X10- □	PWG-5X10- □	PWYK-4X10-K		
PWYK-5X20- □	PWG-5X20- □	PWYK-4X20-K		
PWYK-5X30- □	PWG-5X30- □	PWYK-4X30-K		
PWYK-6X10- □	PWG-6X10- □	PWYK-4X10-K		
PWYK-6X20- □	PWG-6X20- □	PWYK-4X20-K		
PWYK-6X30- □	PWG-6X30- □	PWYK-4X30-K		
PWYK-8X20- □	PWG-8X20- □	PWYK-4X20-K		
PWYK-8X30- □	PWG-8X30- □	PWYK-4X30-K		

※□ in the table indicates the cup material.

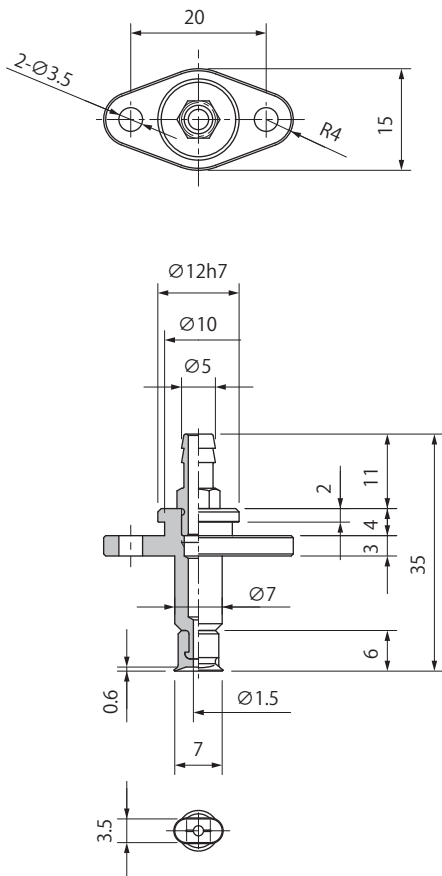


# PWTK·YK Cup with Fixed Fitting

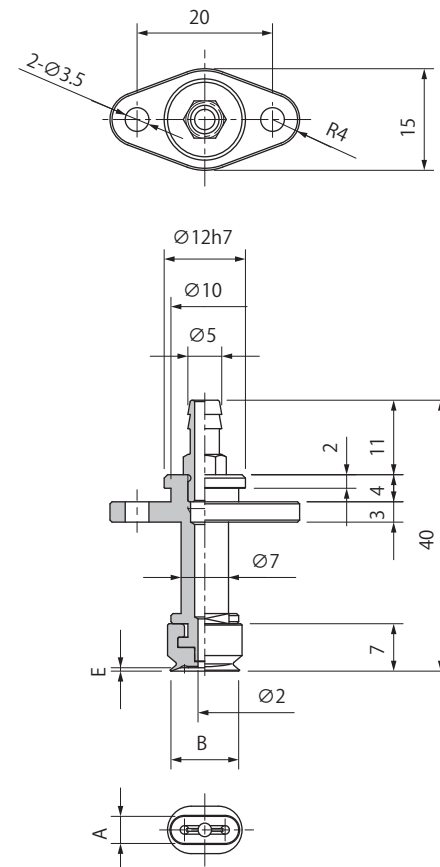
## Dimensions

(mm)

Top Port PWTK-3.5X7



Top Port PWTK-4X10~8X30



Model number	Weight (g)
PWTK-3.5X7-□	6

※□ in the table indicates the cup material.  
 ※ The weight value is when NBR (Nitrile rubber) is selected.

Model number	A	B	E	Weight (g)
PWTK-4X10-□	4	10	0.5	7
PWTK-4X20-□		20		8
PWTK-4X30-□		30		7
PWTK-5X10-□	5	10	0.5	7
PWTK-5X20-□		20		8
PWTK-5X30-□	30	7		
PWTK-6X10-□	6	10	1	7
PWTK-6X20-□		20		8
PWTK-6X30-□	30	7		
PWTK-8X20-□	8	20	1	7
PWTK-8X30-□		30		8

※□ in the table indicates the cup material.  
 ※ The weight value is when NBR (Nitrile rubber) is selected.

Suction Cup Oval Cup

02 Suction Cup

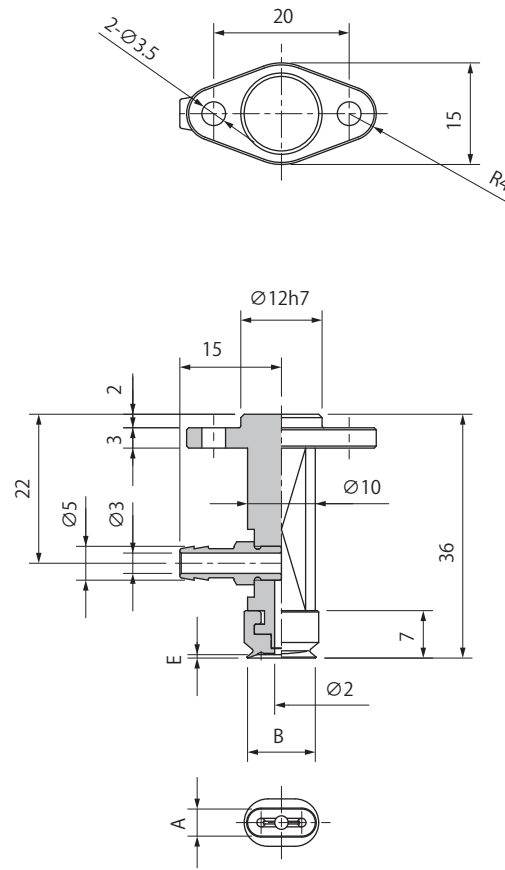
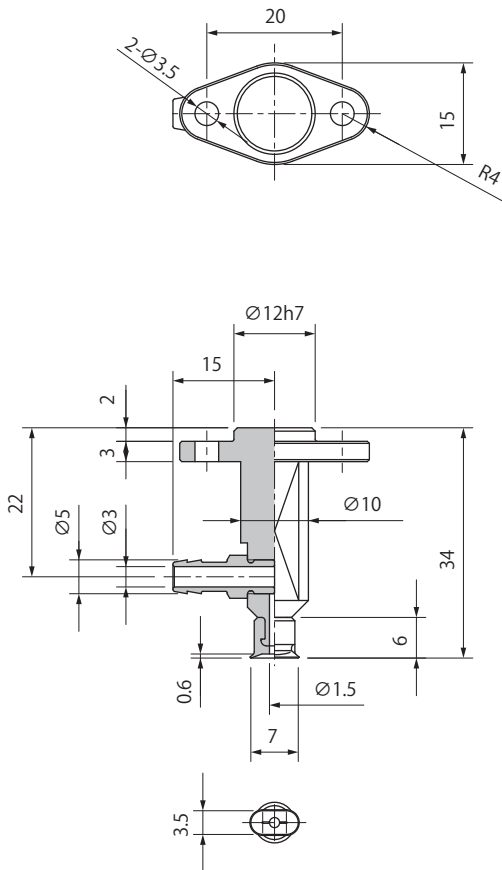
- PA
- PB
- PC
- PCD
- PD
- PF
- PFO
- PH
- PJ
- CORE
- PK2
- PK2B
- PK2L
- PL
- PN
- PN-B
- PP
- PQ
- PR
- PU
- PW**
- RA
- SM
- TN

Dimensions

(mm)

Side Port PWYK-3.5X7

Side Port PWYK-4X10~8X30



Model number	Weight (g)
PWYK-3.5X7- □	8

※□ in the table indicates the cup material.  
 ※ The weight value is when NBR (Nitrile rubber) selected.

Model number	A	B	E	Weight (g)	
PWYK-4X10- □	4	10	0.5	9	
PWYK-4X20- □		20			
PWYK-4X30- □		30			
PWYK-5X10- □	5	10		1	9
PWYK-5X20- □		20			
PWYK-5X30- □		30			
PWYK-6X10- □	6	10	1		9
PWYK-6X20- □		20			
PWYK-6X30- □		30			
PWYK-8X20- □	8	20		1	9
PWYK-8X30- □		30			10

※□ in the table indicates the cup material.  
 ※ The weight value is when NBR (Nitrile rubber) selected.

02  
Suction Cup

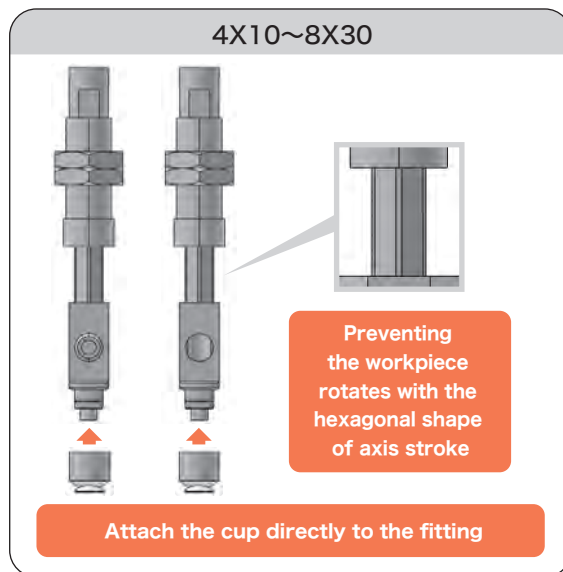
- PA
- PB
- PC
- PCD
- PD
- PF
- PFO
- PH
- PJ
- CORE
- PK2
- PK2B
- PK2L
- PL
- PN
- PN-B
- PP
- PQ
- PR
- PU
- PW
- RA
- SM
- TN

## NAPWTH·YH Cup with Non-rotation Spring Fitting

Suction Cup  
Oval Cup



Consisting of fitting and suction cup.



02  
Suction Cup

PA

PB

PC

PCD

PD

PF

PFO

PH

PJ

CORE

PK2

PK2B

PK2L

PL

PN

PN-B

PP

PQ

PR

PU

**PW**

RA

SM

TN

### How to Order

NAPW **T** H - **4X10-3** - **N** - **T**

① Vacuum Port

T	Top
Y	Side

② Cup Size (short diameter X long diameter) mm

4X10-3	5X20-3	6X30-3
4X10-10	5X20-10	6X30-10
4X10-15	5X20-15	6X30-15
4X20-3	5X30-3	8X20-3
4X20-10	5X30-10	8X20-10
4X20-15	5X30-15	8X20-15
4X30-3	6X10-3	8X30-3
4X30-10	6X10-10	8X30-10
4X30-15	6X10-15	8X30-15
5X10-3	6X20-3	
5X10-10	6X20-10	
5X10-15	6X20-15	

③ Cup Rubber Material

Symbol	Material
N	NBR(Nitrile rubber)
S	Silicone rubber
U	Urethane rubber

※ Please consult with us for other material.

④ Connector

Blank	N/A
T	Barb
O	Push-in

### Spring Specifications

Cup size	Unit	4X10~8X30		
Stroke	mm	3	10	15
Spring load at 0 stroke	N	0.61		0.64
Spring load at full stroke	N	0.77	1.17	

### Combination Table

Model number	Cup	Setting screw	Fitting	Piping specifications		
				Without connector · Blank	Barb connector · T	Push-in connector · O
NAPW○H-4X10-3-□ (-T/O)	PWG-4X10-□	Attach the cup directly to the fitting	NAPW○H-4X10-3-K (-T/O)	M5X0.8 (Female)	φ 6 X 4	
NAPW○H-4X10-10-□ (-T/O)			NAPW○H-4X10-10-K (-T/O)			
NAPW○H-4X10-15-□ (-T/O)			NAPW○H-4X10-15-K (-T/O)			
NAPW○H-4X20-3-□ (-T/O)	PWG-4X20-□		NAPW○H-4X20-3-K (-T/O)			
NAPW○H-4X20-10-□ (-T/O)			NAPW○H-4X20-10-K (-T/O)			
NAPW○H-4X20-15-□ (-T/O)			NAPW○H-4X20-15-K (-T/O)			
NAPW○H-4X30-3-□ (-T/O)	PWG-4X30-□		NAPW○H-4X30-3-K (-T/O)			
NAPW○H-4X30-10-□ (-T/O)			NAPW○H-4X30-10-K (-T/O)			
NAPW○H-4X30-15-□ (-T/O)			NAPW○H-4X30-15-K (-T/O)			
NAPW○H-5X10-3-□ (-T/O)	PWG-5X10-□		NAPW○H-4X10-3-K (-T/O)			
NAPW○H-5X10-10-□ (-T/O)			NAPW○H-4X10-10-K (-T/O)			
NAPW○H-5X10-15-□ (-T/O)			NAPW○H-4X10-15-K (-T/O)			
NAPW○H-5X20-3-□ (-T/O)	PWG-5X20-□		NAPW○H-4X20-3-K (-T/O)			
NAPW○H-5X20-10-□ (-T/O)			NAPW○H-4X20-10-K (-T/O)			
NAPW○H-5X20-15-□ (-T/O)			NAPW○H-4X20-15-K (-T/O)			
NAPW○H-5X30-3-□ (-T/O)	PWG-5X30-□		NAPW○H-4X30-3-K (-T/O)			
NAPW○H-5X30-10-□ (-T/O)			NAPW○H-4X30-10-K (-T/O)			
NAPW○H-5X30-15-□ (-T/O)			NAPW○H-4X30-15-K (-T/O)			
NAPW○H-6X10-3-□ (-T/O)	PWG-6X10-□		NAPW○H-4X10-3-K (-T/O)			
NAPW○H-6X10-10-□ (-T/O)			NAPW○H-4X10-10-K (-T/O)			
NAPW○H-6X10-15-□ (-T/O)			NAPW○H-4X10-15-K (-T/O)			
NAPW○H-6X20-3-□ (-T/O)	PWG-6X20-□		NAPW○H-4X20-3-K (-T/O)			
NAPW○H-6X20-10-□ (-T/O)			NAPW○H-4X20-10-K (-T/O)			
NAPW○H-6X20-15-□ (-T/O)			NAPW○H-4X20-15-K (-T/O)			
NAPW○H-6X30-3-□ (-T/O)	PWG-6X30-□		NAPW○H-4X30-3-K (-T/O)			
NAPW○H-6X30-10-□ (-T/O)			NAPW○H-4X30-10-K (-T/O)			
NAPW○H-6X30-15-□ (-T/O)			NAPW○H-4X30-15-K (-T/O)			
NAPW○H-8X20-3-□ (-T/O)	PWG-8X20-□		NAPW○H-4X20-3-K (-T/O)			
NAPW○H-8X20-10-□ (-T/O)			NAPW○H-4X20-10-K (-T/O)			
NAPW○H-8X20-15-□ (-T/O)			NAPW○H-4X20-15-K (-T/O)			
NAPW○H-8X30-3-□ (-T/O)	PWG-8X30-□	NAPW○H-4X30-3-K (-T/O)				
NAPW○H-8X30-10-□ (-T/O)		NAPW○H-4X30-10-K (-T/O)				
NAPW○H-8X30-15-□ (-T/O)		NAPW○H-4X30-15-K (-T/O)				

※□ in the table indicates the cup material.  
 ※○ in the table indicates the vacuum port (T or Y).

02  
Suction Cup

- PA
- PB
- PC
- PCD
- PD
- PF
- PFO
- PH
- PJ
- CORE
- PK2
- PK2B
- PK2L
- PL
- PN
- PN-B
- PP
- PQ
- PR
- PU
- PW**
- RA
- SM
- TN

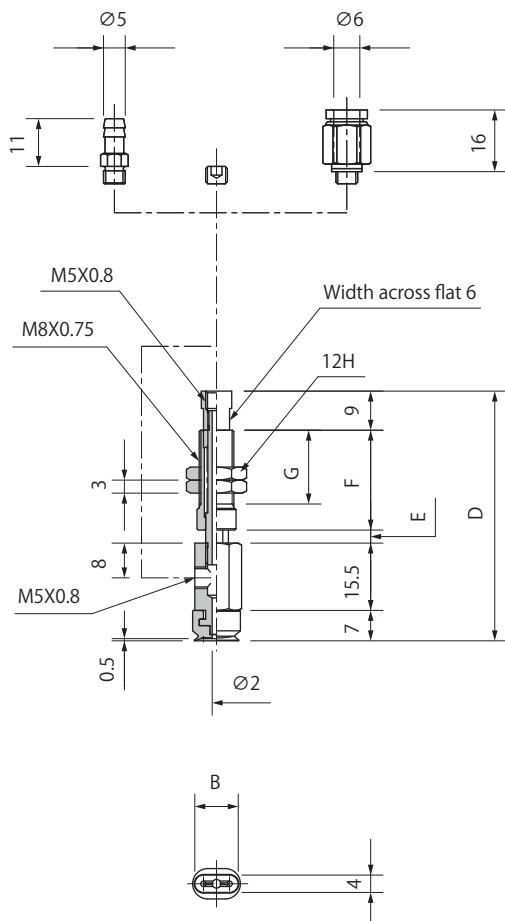
# NAPWTH·YH Cup with Non-rotation Spring Fitting

Suction Cup  
Oval Cup

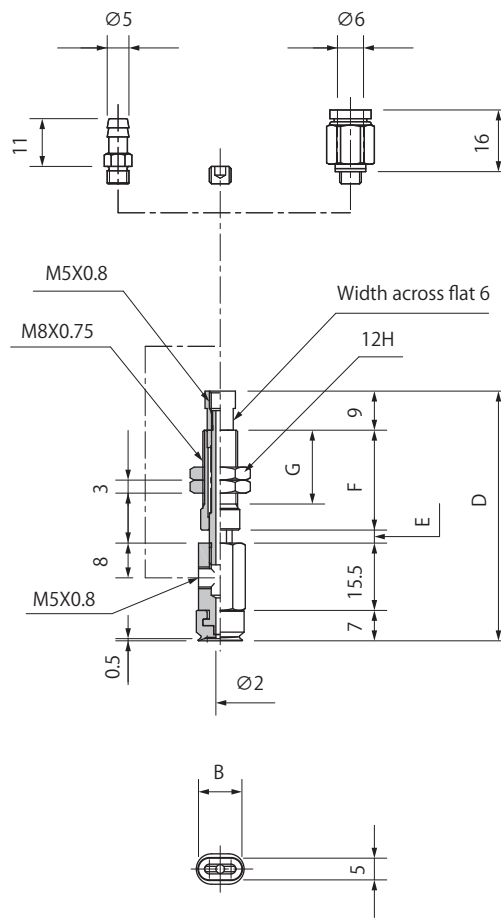
## Dimensions

(mm)

NAPWT/YH-4X10~4X30



NAPWT/YH-5X10~5X30



Model number	B	D	E	F	G	Weight(g)
NAPWT/YH-4X10-3-□ (-T/O)	10	57.5	3			19.5
NAPWT/YH-4X10-10-□ (-T/O)		64.5	10	23	17	20
NAPWT/YH-4X10-15-□ (-T/O)		77	15	30.5	24.5	23
NAPWT/YH-4X20-3-□ (-T/O)	20	57.5	3			20
NAPWT/YH-4X20-10-□ (-T/O)		64.5	10	23	17	20.5
NAPWT/YH-4X20-15-□ (-T/O)		77	15	30.5	24.5	23.5
NAPWT/YH-4X30-3-□ (-T/O)	30	57.5	3			20.5
NAPWT/YH-4X30-10-□ (-T/O)		64.5	10	23	17	21
NAPWT/YH-4X30-15-□ (-T/O)		77	15	30.5	24.5	24

※□ in the table indicates the cup material.  
 ※ The weight value is when NBR (Nitrile rubber) / without connector selected.

Model number	B	D	E	F	G	Weight(g)
NAPWT/YH-5X10-3-□ (-T/O)	10	57.5	3			19.5
NAPWT/YH-5X10-10-□ (-T/O)		64.5	10	23	17	20
NAPWT/YH-5X10-15-□ (-T/O)		77	15	30.5	24.5	23
NAPWT/YH-5X20-3-□ (-T/O)	20	57.5	3			20
NAPWT/YH-5X20-10-□ (-T/O)		64.5	10	23	17	20.5
NAPWT/YH-5X20-15-□ (-T/O)		77	15	30.5	24.5	23.5
NAPWT/YH-5X30-3-□ (-T/O)	30	57.5	3			20.5
NAPWT/YH-5X30-10-□ (-T/O)		64.5	10	23	17	21
NAPWT/YH-5X30-15-□ (-T/O)		77	15	30.5	24.5	24

※□ in the table indicates the cup material.  
 ※ The weight value is when NBR (Nitrile rubber) / without connector selected.

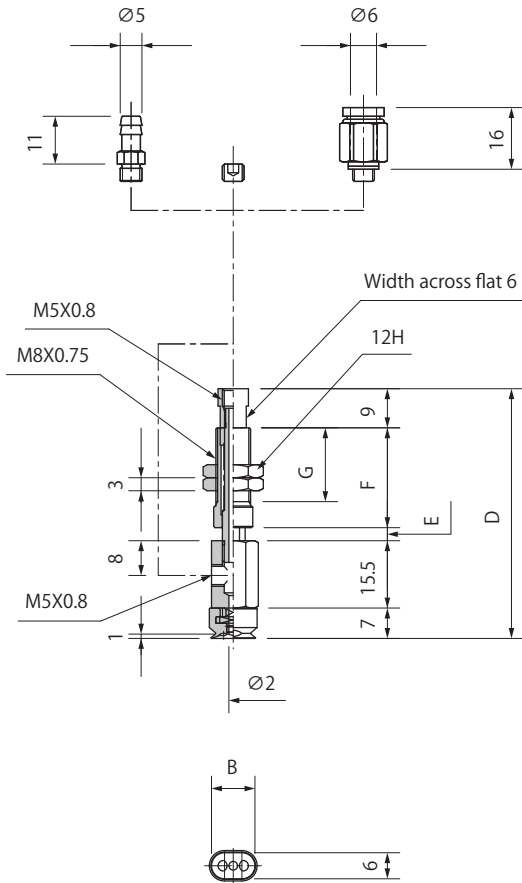
## Common Specifications

Connector Weight(g)	
Symbol	Tube O.D φ 6
T	1.5
O	4.0

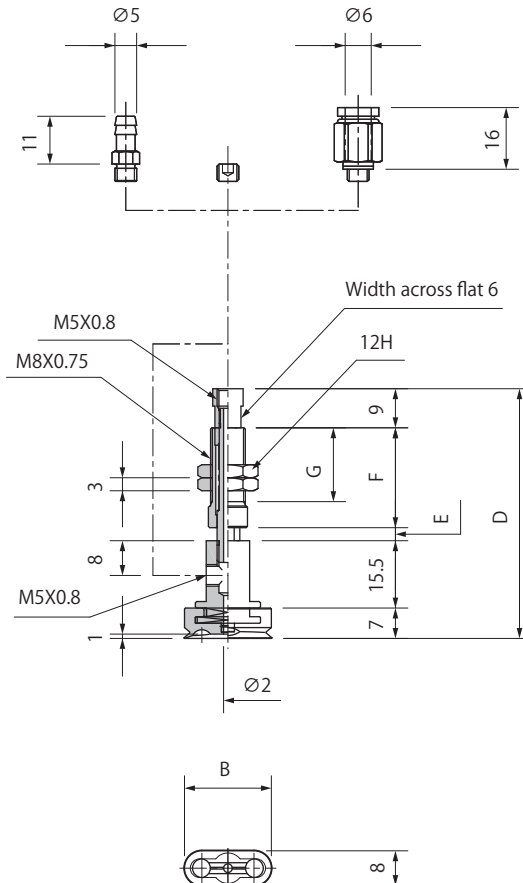
Dimensions

(mm)

NAPWT/YH-6X10~6X30



NAPWT/YH-8X20~8X30



Model number	B	D	E	F	G	Weight(g)
NAPWT/YH-6X10-3-□ (-T/O)	10	57.5	3	23	17	19.5
NAPWT/YH-6X10-10-□ (-T/O)		64.5	10			20
NAPWT/YH-6X10-15-□ (-T/O)		77	15			30.5
NAPWT/YH-6X20-3-□ (-T/O)	20	57.5	3	23	17	20
NAPWT/YH-6X20-10-□ (-T/O)		64.5	10			20.5
NAPWT/YH-6X20-15-□ (-T/O)		77	15			30.5
NAPWT/YH-6X30-3-□ (-T/O)	30	57.5	3	23	17	20.5
NAPWT/YH-6X30-10-□ (-T/O)		64.5	10			21
NAPWT/YH-6X30-15-□ (-T/O)		77	15			30.5

※□ in the table indicates the cup material.  
 ※ The weight value is when NBR (Nitrile rubber) / without connector selected.

Model number	B	D	E	F	G	Weight(g)
NAPWT/YH-8X20-3-□ (-T/O)	20	57.5	3	23	17	20
NAPWT/YH-8X20-10-□ (-T/O)		64.5	10			20.5
NAPWT/YH-8X20-15-□ (-T/O)		77	15			30.5
NAPWT/YH-8X30-3-□ (-T/O)	30	57.5	3	23	17	20.5
NAPWT/YH-8X30-10-□ (-T/O)		64.5	10			21
NAPWT/YH-8X30-15-□ (-T/O)		77	15			30.5

※□ in the table indicates the cup material.  
 ※ The weight value is when NBR (Nitrile rubber) / without connector selected.

Common Specifications

Connector Weight(g)	
Symbol	Tube O.D φ 6
T	1.5
O	4.0