

## Metal Detectable Suction Cup



### New material that reacts with a metal detector!

- Suction cups made of silicone rubber containing metallic components, If cup rubber is mixed because of breakage or dropping, it reacts with a metal detector. ※1
- Detectability with X-ray detectors is improved. ※1

Rubber material symbol	Material	Hardness (A/s)	Ambient temperature (°C)	Color
SM	Metal detectable silicone	55	-60~250	Gray ※2

※1) May fail in detection, depending on the set conditions of the detector and types of foods being manufactured. Check in the actual use conditions in advance.

※2) Subject to color unevenness due to material characteristics. However, it has no influence upon the performances.

### Can be applied to the various shapes cups

- Standard flat, 2 bellows, 3 bellows, multiple bellows, Thin type, etc.

Applicable series PB, PC, PF, PJ, PL, PN Less than  $\phi$ 50mm

- PA
- PB
- PC
- PCD
- PD
- PF
- PFO
- PH
- PJ
- CORE
- PK2
- PK2B
- PK2L
- PL
- PN
- PN-B
- PP
- PQ
- PR
- PU
- PW
- RA
- SM**
- TN

**Most suitable for avoiding mixing of foreign matters in food industries and medical industries.**

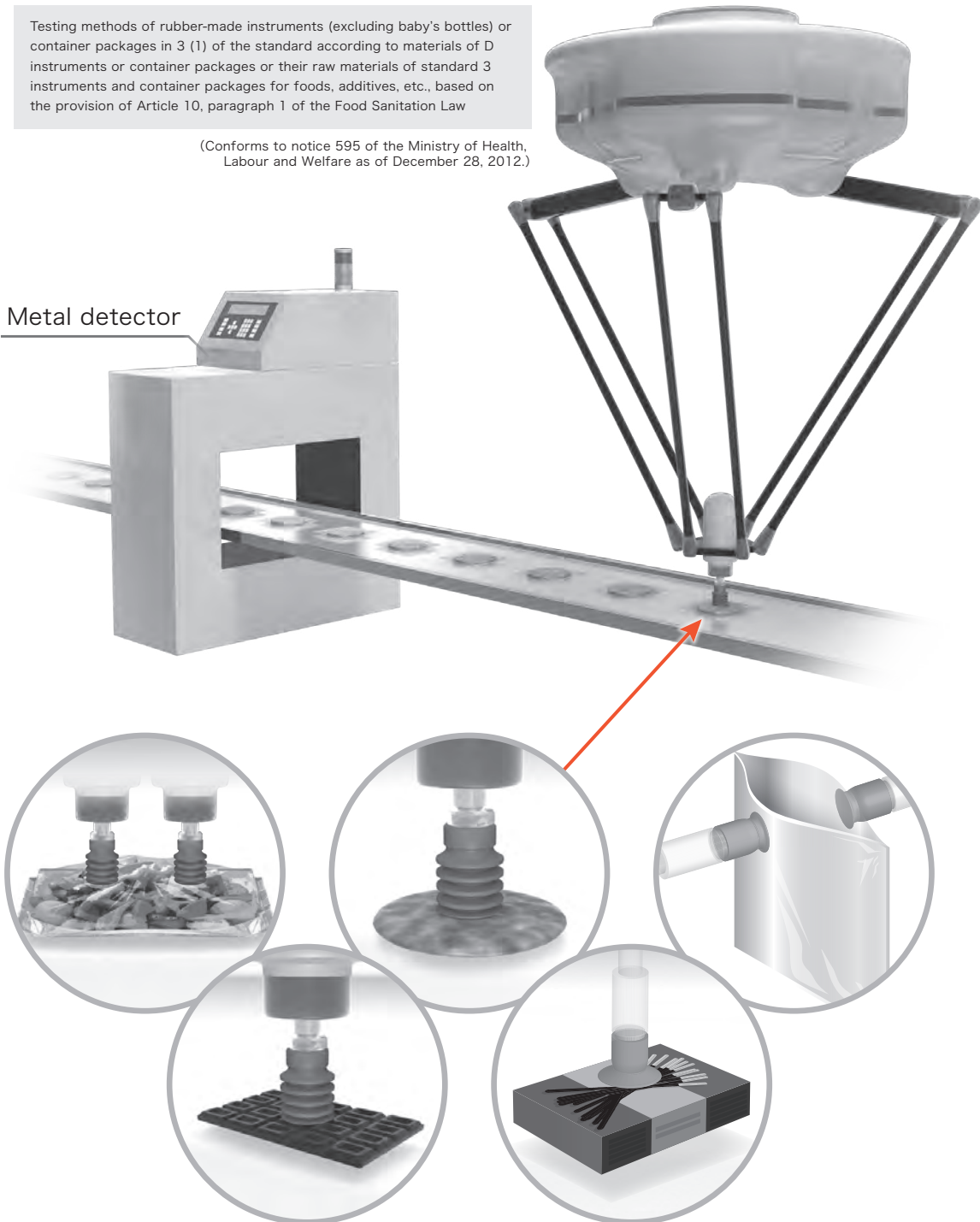
**Reliable and safe material**

**Material that passed FDA-compatible Food Sanitation Law tests is used.\*1**

\*1) Falls under the category of the "rubber products to be used repeatedly" specified in FDA: 21CFR§177.2600.

Testing methods of rubber-made instruments (excluding baby's bottles) or container packages in 3 (1) of the standard according to materials of D instruments or container packages or their raw materials of standard 3 instruments and container packages for foods, additives, etc., based on the provision of Article 10, paragraph 1 of the Food Sanitation Law

(Conforms to notice 595 of the Ministry of Health, Labour and Welfare as of December 28, 2012.)



Contact us for samples for detection tests.

### How to Order

**PFG** — **30** — **SM**

① Applicable Series      ② Cup Size (mm)

**PBG**  
2 bellows type/  
Thick lip



10A	φ10	30	φ30
15A	φ15	40	φ40
20	φ20	50	φ50

**PCG**  
3 bellows type



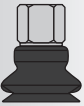
5	φ5	15	φ15	30	φ30
7	φ7	18	φ18	40	φ40
10	φ10	20	φ20		

**PFG**  
Flat type/Standard



1.5A	φ1.5	3.5A	φ3.5	6A	φ6	15	φ15	30	φ30
2A	φ2	3.5×7A	3.5×7	8A	φ8	20B	φ20	35	φ35
2×4A	2×4	3.5×7	3.5×7	10A	φ10	20	φ20	40	φ40
2×4	2.2×4.2	5A	φ5	15A	φ15	25	φ25	50	φ50

**PJG**  
2 bellows type/  
Thin lip



4	φ4	15	φ15	35	φ35
6	φ6	20	φ20	40	φ40
8	φ8	25	φ25	50	φ50
10	φ10	30	φ30		

**PLG**  
Multiple Bellows



20	φ20	50	φ50
30	φ30		
40	φ40		

**PNG**  
Thin type



101	φ31	106	φ25	110	φ23	116	φ18	123	φ15	131	φ25
102	φ25	107	φ49	111	φ25	117	φ17.6	125	φ24	132	φ15
103	φ25	108	φ40	112	φ27	121	φ31	130A	φ20	133	φ25
104	φ24.8	109	φ17	114	φ17	122	φ34	130B	φ20	134	φ35

**PNG**  
Thin type/  
2 bellows



132B	φ18
133B	φ25
134B	φ35

※Please consult with us for other series and cup size.

※Refer to the page of applicable suction cup series for fitting and setting screw.

### Sensitivity Comparison Data

